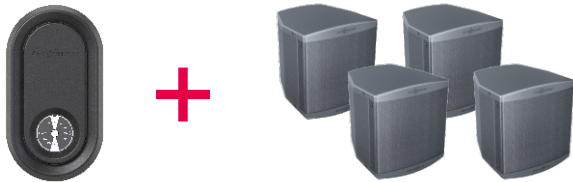
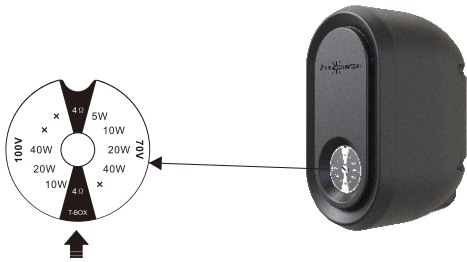


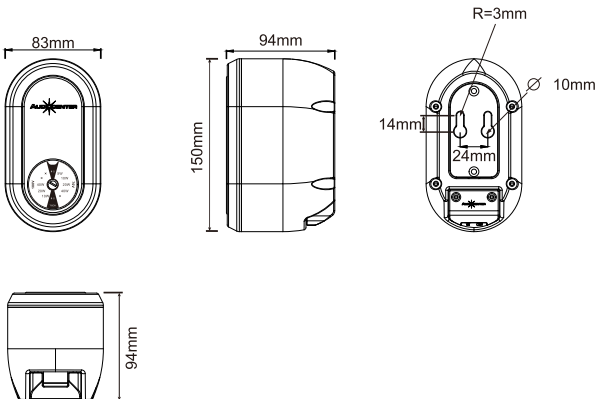
- When Artist T3 or T4 is used at constant voltage mode, it needs to be used with Artist T-Box40, which is an external transformer box for impedance and voltage output switch. One Artist T-Box40 can be used with up to 4 Artist T3 /T4 full-range speakers.



◆ Artist T-BOX40



When the knob at 4Ω, it is in the impedance output working mode.
 When the knob at (100V 40W / 20W / 10W, 70V 40W / 20W / 10W / 5W), it is in the voltage output working mode.



◆ Trouble shooting

Symptom	Possible reasons	Solution
No sound	Cable not connected correctly Or too small gain	Correct with input socket correctly Adjust speaker output gain into bigger
Feedback in the sound	Microphone is toward the speaker Sound is too high	Keep speakers out of the microphone response area Lower the output gain
Sound discrepancy from different speakers	Different gain for different speakers	Set the gain of each audio in the same position
Sound distortion	Input volume is too big Output volume is too big	Reduce the input volume of the equipments Reduce the output gain of the speakers, making the Limiter LIMIT lighter a bit

★ Please consult distributor if there are still problems.



User's Manual

Artist T3/T4

FULL-RANGE SPEAKERS

Thank you for purchasing Audiocenter Artist audio system solution, which are professional speakers that integrated the latest technology and the best materials. Over the years of hard working, we have achieved the goal of excellence and built a perfect system for professionals.

Please finish reading the manual before usage, to make sure the best performance of Artist Commercial Audio System. Please keep the manual for reference in the future.

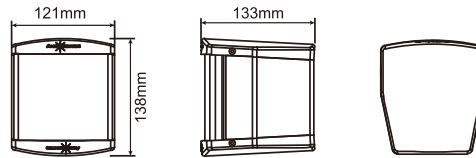
◆ Safety precautions

When you set up, install and use the Artist commercial audio system, please follow the following safety measures strictly:

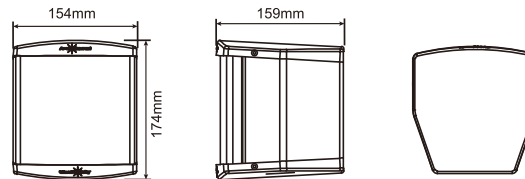
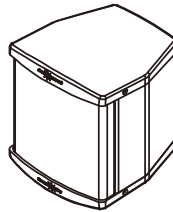
- There can be danger in any step during hanging installation. Everyone should check whether there is any damage on all hardware devices and pay attention to personal safety.
- All purchasers of Audiocenter should be professional people qualified to conduct the work related to such equipments.
- We strongly suggest the users pay full attention to local rules, regulations and laws. Installers have the responsibility to make sure the speaker installations are subject to local rules, regulations and laws.
- If any danger or defect is detected, measures should be taken immediately to correct it.
- In touring application, please choose the installation hardware and occasion that can sustain the weight of the equipments.
- Please do not try to hang speakers over the design standard.
- Please do not place the power cable near heating source. Do not over bend or damage the power cables. Do not place heavy things on it. Please do not place the cables that may be pressed or cause stumbling.
- Please do not place the speakers near equipments sensitive to magnet fields, such as CRT display, TV or data saving materials.
- Only the specified rated voltage should be used for this product. Please refer to the back panel of the product for the specified voltage.
- Only the supplied power cable or plug should be used. (If you need to use the product in a place different from the purchase place, please consult your local Audiocenter distributor.)
- Please make sure to connect to proper power socket with protection grounding connection.
- Wrong grounding may cause short circuits. The product inside does not include any component that can be repaired by users. In case of abnormal operation, please stop using immediately, and contact qualified Audiocenter maintenance worker to repair.
- Please do not use the product in the rain, or near water, or in humid environment, to avoid liquid spilling to any opening.
- When any of the following situations occurs, please cut the power immediately, and pull out the power plug from the socket, and ask qualified Audiocenter maintenance worker to repair.
 - This equipment is fell or damaged.
 - Wear or damage of the power cable or plug.
 - Abnormal smell or smoking.
 - Some substance falls into the product.
 - Sound stops suddenly when using the product.
- Regularly check the power cord and plug.
- When pulling out the power plug from the power socket or the product, please make sure to grab the plug instead of the power cable. Pulling the power cable directly may cause damage.
- If the product is not used for long time, or there is thunder storm, please pull out the plug from the socket.
- Please do not place the product in any uneven position. Otherwise, it may cause falling off suddenly.
- If the product is not fixed safely, please do not place it in a position that may cause easy falling.
- Please do not block the air hole vents. The product has air hole vents at the back to avoid internal temperature too high. Bad ventilation may cause damage to the product or even fire.
- Please do not hang or install any other component to the handle of the speaker. It may cause damage or injury. Please do not press the back panel of the product to the wall. Otherwise the plug may touch the wall and separate from the cable, and cause short circuits, malfunction, or even fire.
- Before connecting the product to other equipment, please turn off the power switch of all equipments. Before turning on or off the power switch of all equipments, please turn down the volume to the minimum.
- Please do not use the product in a very high or uncomfortable volume. Otherwise, it may cause permanent damage to your ear.
- In case of sound distortion, please do not use the product. To continue using the product in such status may cause fire.
- Using mobile phones near the speaker may cause noise. In case of noise, please use the mobile phone far from the speaker. If you need service, please contact Audiocenter service center, agent, or distributor in your area.

⚠ In order to avoid injury to you or others and loss on equipment or property, please make sure to follow above basic items.

◆ Artist T3

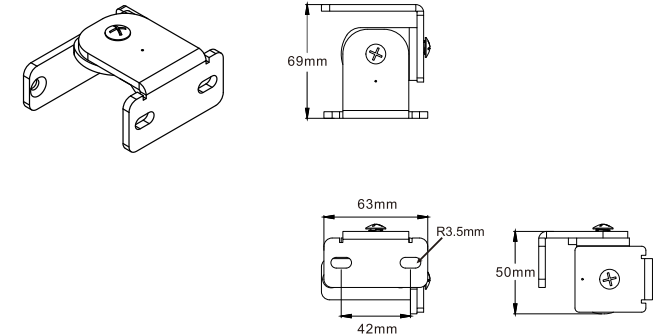


◆ Artist T4

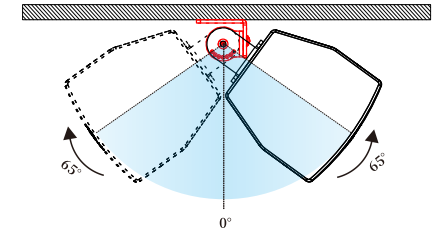


Artist T3\T4 wall mounting bracket

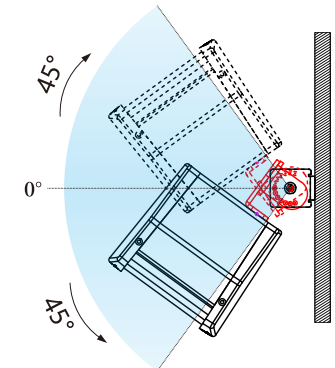
Material: aluminum; Surface treatment: black fine sand (white is optional)



Horizontal angle adjustment



Vertical angle adjustment





Dynamic Audio Solutions

User's Manual

Artist

Commercial Audio System Solution

Contents

Safety precautions	02
Trouble shooting	03
Wire connection	03
Appearance	05
Point source speaker installation dimensions and application	06
Line array speaker installation dimensions and application	07
Column speaker installation dimensions and application	10
Subwoofer installation dimensions and application	12
Specifications	14

Thank you for purchasing Audiocenter Artist-Pro audio system solution, which are professional speakers that integrated the latest technology and the best materials. Over the years of hard working, we have achieved the goal of excellence and built a perfect system for professionals.

Please finish reading the manual before usage, to make sure the best performance of Artist Commercial Audio System. Please keep the manual for reference in the future.

◆ Safety precautions

When you set up, install and use the Artist commercial audio system, please follow the following safety measures strictly:

- There can be danger in any step during hanging installation. Everyone should check whether there is any damage on all hardware devices and pay attention to personal safety.
- All purchasers of Audiocenter should be professional people qualified to conduct the work related to such equipments.
- We strongly suggest the users pay full attention to local rules, regulations and laws. Installers have the responsibility to make sure the speaker installations are subject to local rules, regulations and laws.
- If any danger or defect is detected, measures should be taken immediately to correct it.
- In touring application, please choose the installation hardware and occasion that can sustain the weight of the equipments.
- Please do not try to hang speakers over the design standard.
- Please do not place the power cable near heating source. Do not over bend or damage the powercables. Do not place heavy things on it. Please do not place the cables that may be pressed or cause stumbling
- Please do not place the speakers near equipments sensitive to magnet fields, such as CRTdisplayer, TV or data saving materials.
- Only the specified rated voltage should be used for this product. Please refer to the back panel of the product for the specified voltage.
- Only the supplied power cable or plug should be used. (If you need to use the product in a place different from the purchase place, please consult your local Audiocenter distributor.)
- Please make sure to connect to proper power socket with protection grounding connection.
- Wrong grounding may cause short circuits. The product inside does not include any component that can be repaired by users. In case of abnormal operation, please stop using immediately, and contact qualified Audiocenter maintenance worker to repair.
- Please do not use the product in the rain, or near water, or in humid environment, to avoid liquidspilling to any opening.
- When any of the following situations occurs, please cut the power immediately, and pull out the power plug from the socket, and ask qualified Audiocenter maintenance worker to repair.
 - This equipment is fell or damaged.
 - Wear or damage of the power cable or plug.
 - Abnormal smell or smoking.
 - Some substance falls into the product.
 - Sound stops suddenly when using the product.
- Regularly check the power cord and plug.
- When pulling out the power plug from the power socket or the product, please make sure to grab the plug instead of the power cable. Pulling the power cable directly may cause damage.
- If the product is not used for long time, or there is thunder storm, please pull out the plug from the socket.
- Please do not place the product in any uneven position. Otherwise, it may cause falling off suddenly.
- If the product is not fixed safely, please do not place it in a position that may cause easy falling.
- Please do not block the air hole vents. The product has air hole vents at the back to avoid internal temperature too high. Bad ventilation may cause damage to the product or even fire.
- Please do not hang or install any other component to the handle of the speaker. It may cause damage or injure. Please do not press the back panel of the product to the wall. Otherwise the plug may touch the wall and separate from the cable, and cause short circuits, malfunction, or even fire.
- Before connecting the product to other equipment, please turn off the power switch of all equipments. Before turning on or off the power switch of all equipments, please turn down the volume to the minimum.
- Please do not use the product in a very high or uncomfortable volume. Otherwise, it may cause permanent damage to your ear.
- In case of sound distortion, please do not use the product. To continue using the product in such status may cause fire.
- Using mobile phones near the speaker may cause noise. In case of noise, please use the mobile phone far from the speaker. If you need service, please contact Audiocenter service center, agent, or distributor in your area.

 **In order to avoid injury to you or others and loss on equipment or property, please make sure to follow above basic items.**

Package accessories:

User's manual

Quality Certificate

Please check above items carefully. If any questions, please advise Audiocenter representative, dealers, distributors, or contact by email box: support@ac-pro.net.

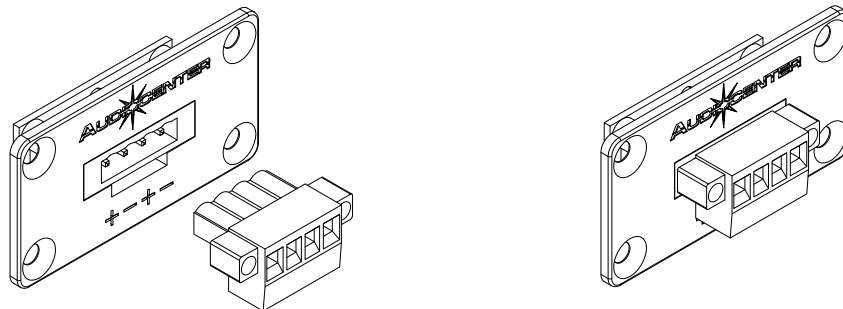
◆ **Trouble shooting**

Symptom	Possible reasons	Solution
No sound	Cable not connected correctly Or too small gain	Correct with input socket correctly Adjust speaker output gain into bigger
Feedback in the sound	Microphone is toward the speaker Sound is too high Wrong preset used	Keep speakers out of the microphone response area Lower the output gain
Sound discrepancy from different speakers	Different gain for different speakers Different preset for different speakers Subwoofers are out phase	Put the same gain for different speakers Use the same preset for different speakers Make the sub in phase
Sound distortion	Input volume is too big Output volume is too big	Reduce the input volume of the equipments Reduce the output gain of the speakers, making the Limiter LED lighter a bit
Not enough SPL while full range speakers used together with subs	Subs might be out of phase	Adjust the phase of subs

★ Please consult distributor if there are still problems.

◆ **Wire connection**

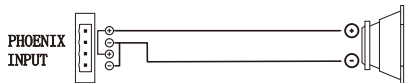
Artist applied Phoenix socket terminal, which is specially designed for speakers, mainly for safety and reliability. The positive and negative terminals in paralleling can be connected to another speaker.



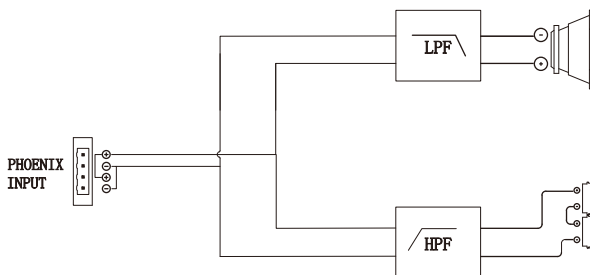
● connection

To ensure sound quality and minimum power consumption, it is necessary to select sufficiently thick cables according to the number of speakers per channel, speaker impedance, and cable length. The total impedance of a single group of parallel speakers is equal to the impedance of a single speaker divided by the number of speakers.

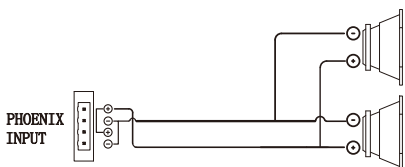
Connection diagram



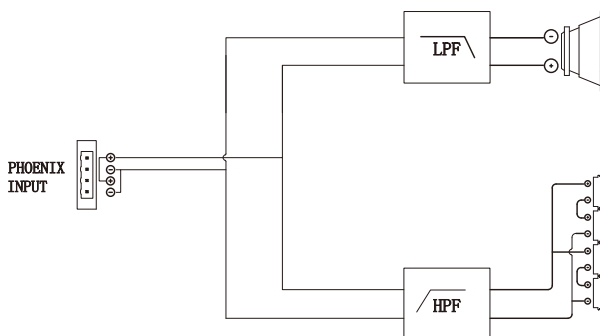
Artist T3/TW8/TW118



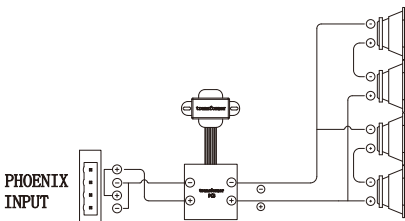
Artist T4



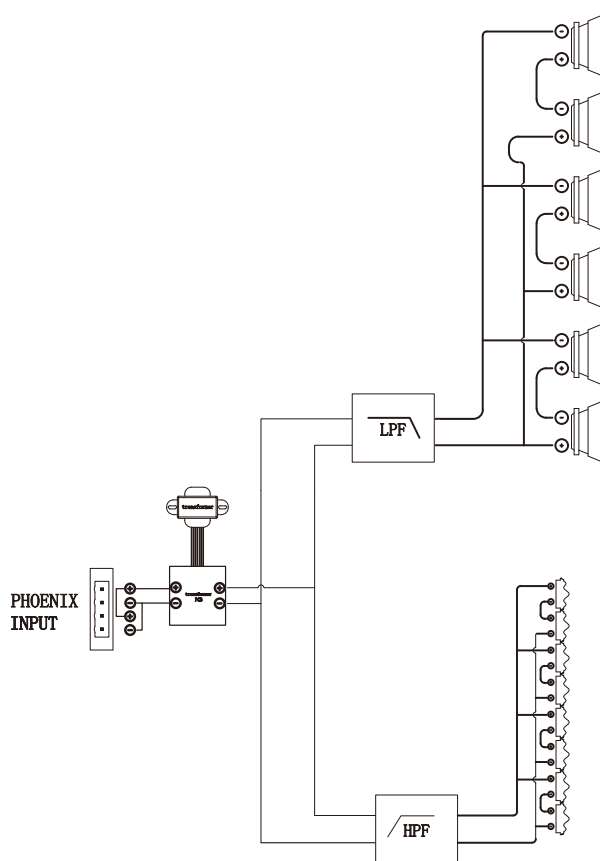
Artist TW28



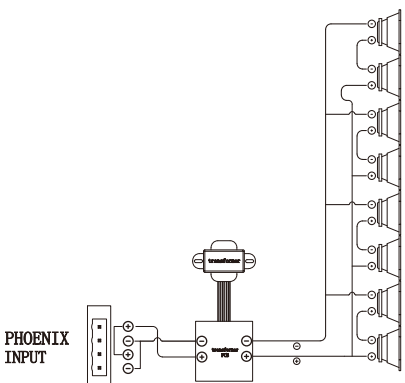
Artist T6/T8



Artist T43



Artist T65



Artist T83

◆ Appearance



Artist T3



Artist T4



Artist T43



Artist T83



Artist T65



Artist T6



Artist T8



Artist TW8



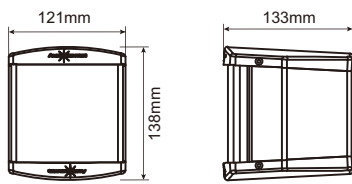
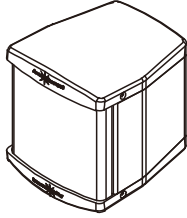
Artist TW28



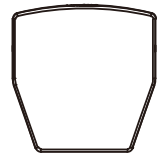
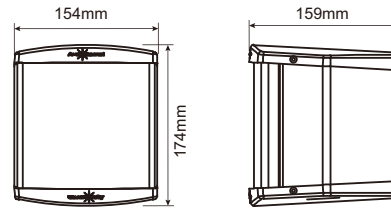
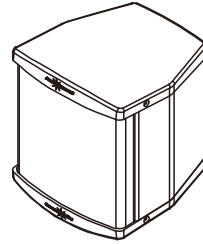
Artist TW118

◆ Point source speaker installation dimensions and application

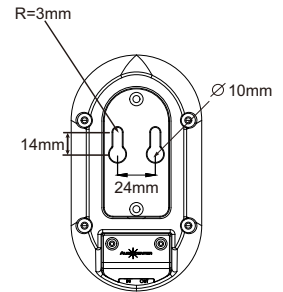
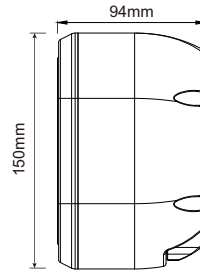
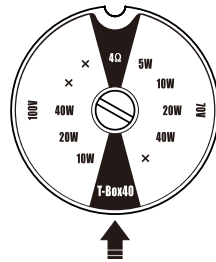
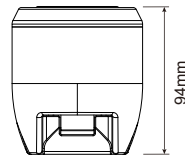
● Artist T3



● Artist T4



● Artist T-Box40



When the knob at 4Ω, it is in the impedance output working mode.
 When the knob at (100V 40W/20W/10W, 70V 40W/20W/10W/5W), it is in the voltage output working mode.

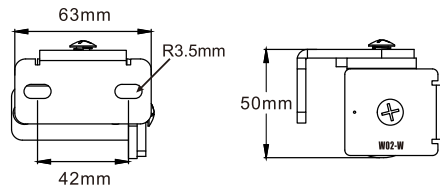
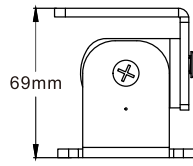
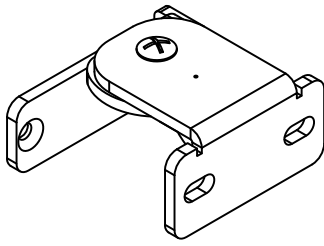
Artist T-Box40 application



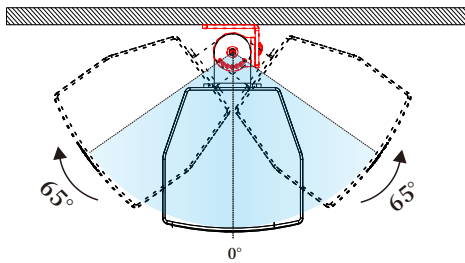
When Artist T3 or T4 is used at constant voltage mode, it needs to be used with Artist T-Box40, which is an external transformer box for impedance and voltage output switch.
 One Artist T-Box40 can be used with up to 4 Artist T3 /T4 full-range speakers.

W02 Universal rotating bracket

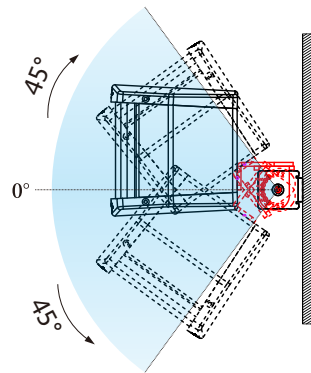
Material: steel;
Surface treatment: black fine sand (white is optional)



Horizontal angle adjustment

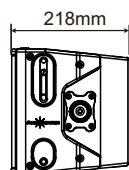
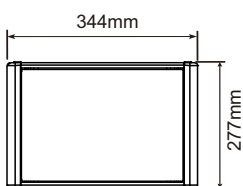
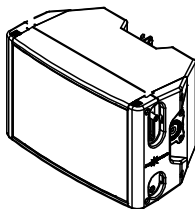


Vertical angle adjustment

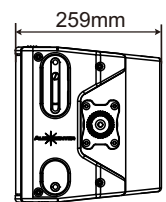
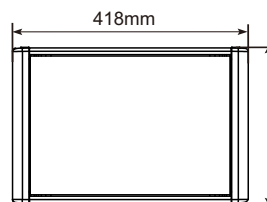
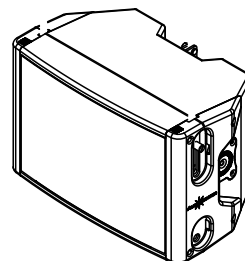


◆ **Line array speaker installation dimensions and application**

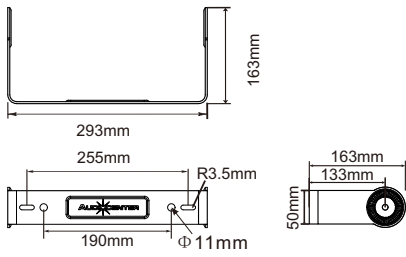
● **Artist T6**



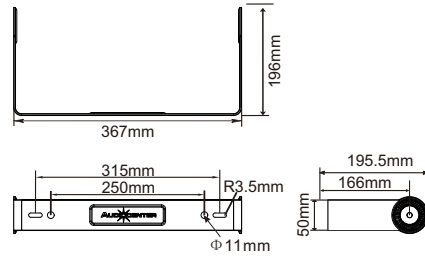
● **Artist T8**



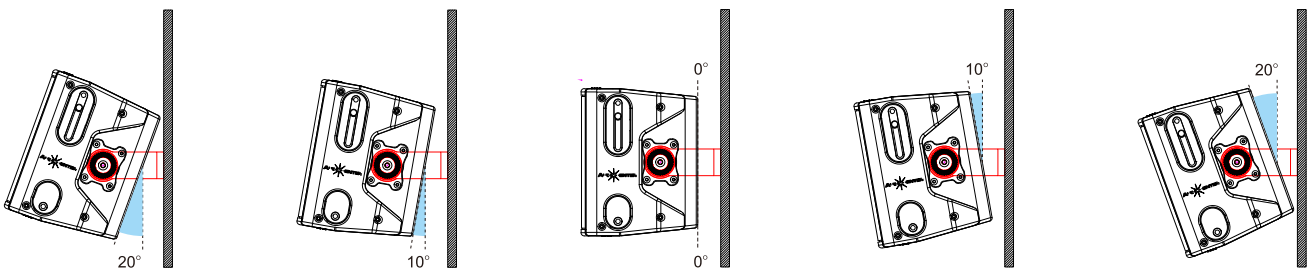
**Artist T6
U-shaped wall mounting bracket**



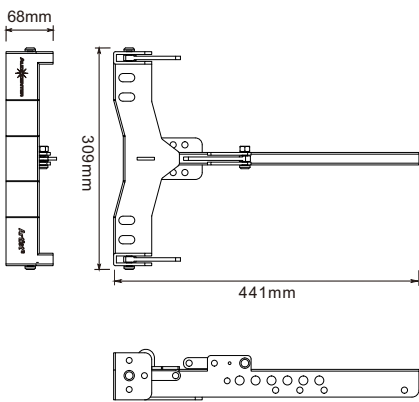
**Artist T8
U-shaped wall mounting bracket**



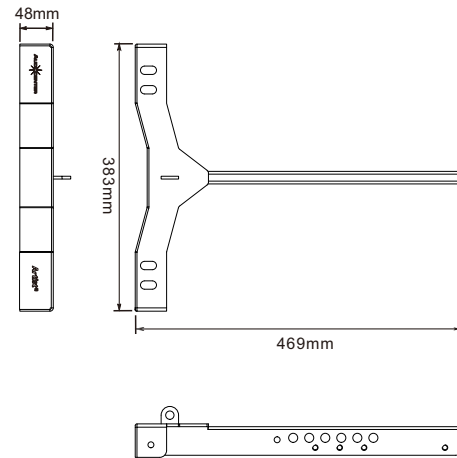
Vertical angle adjustment examples for Artist T6 / T8



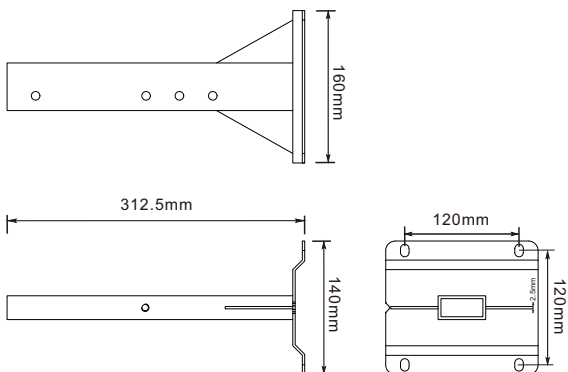
Artist T6 vertical hanging frame



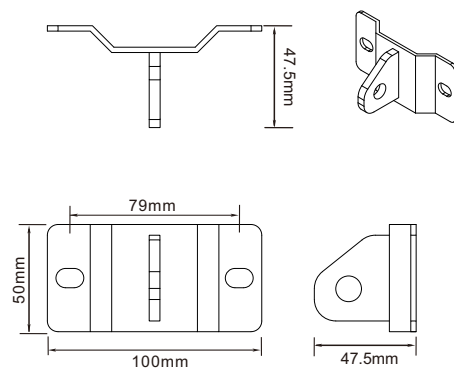
Artist T8 vertical hanging frame



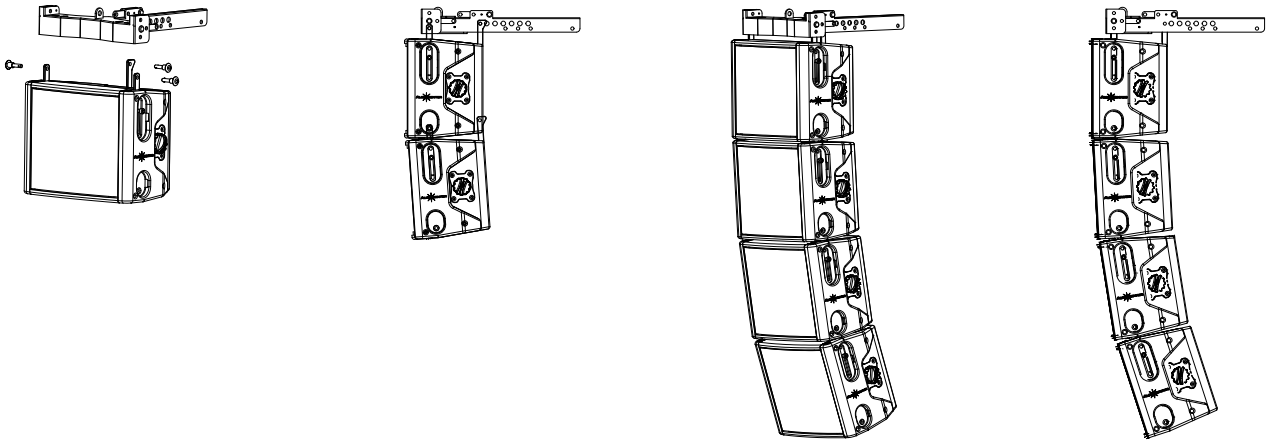
Accessories for line array wall mounting frame 1



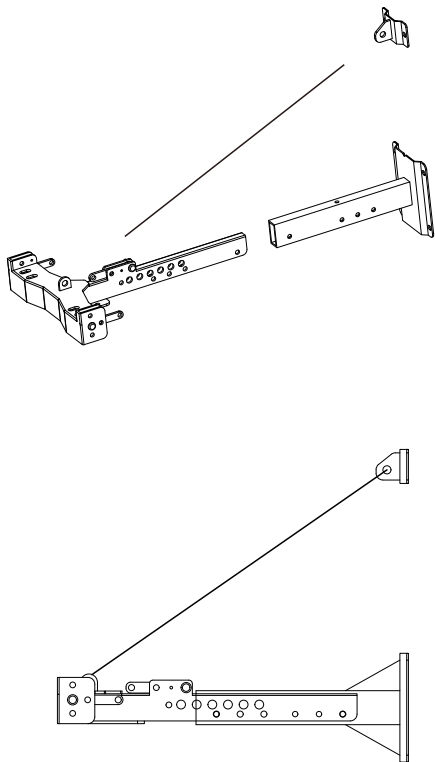
Accessories for line array wall mounting frame 2



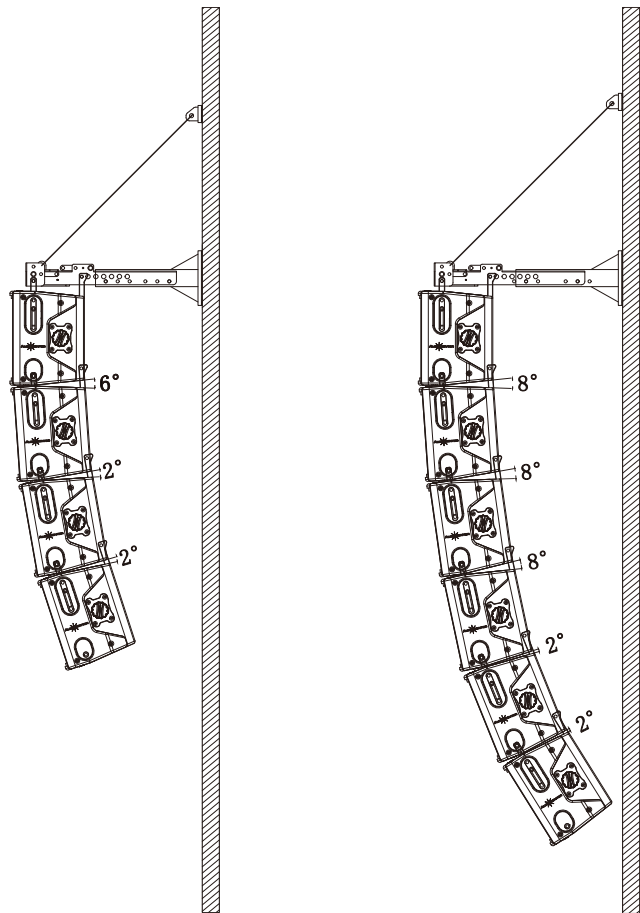
Applications examples for Artist flying frame T6 / T8



Line array wall mounting frame and accessories

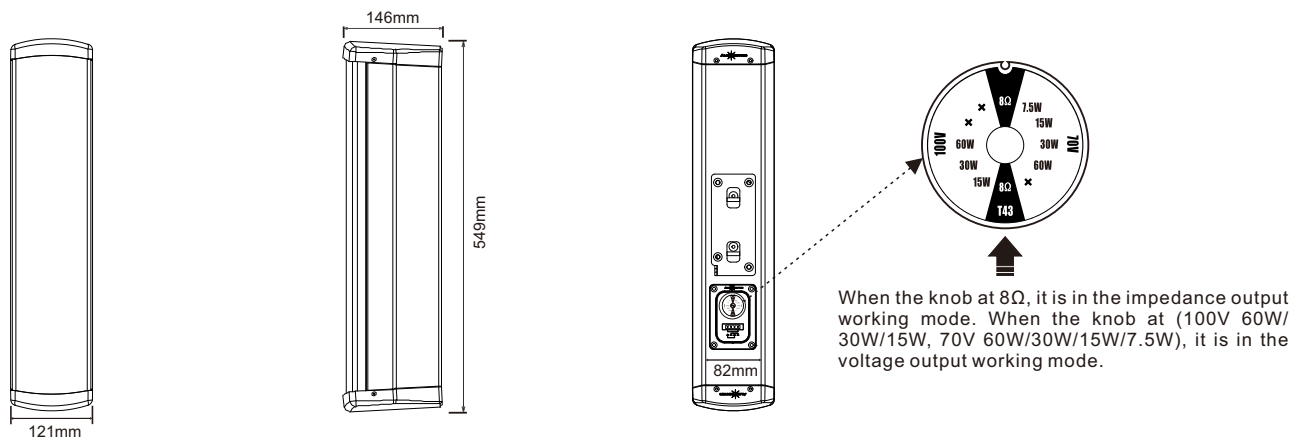


Applications examples for Artist wall mounting T6 / T8 line array

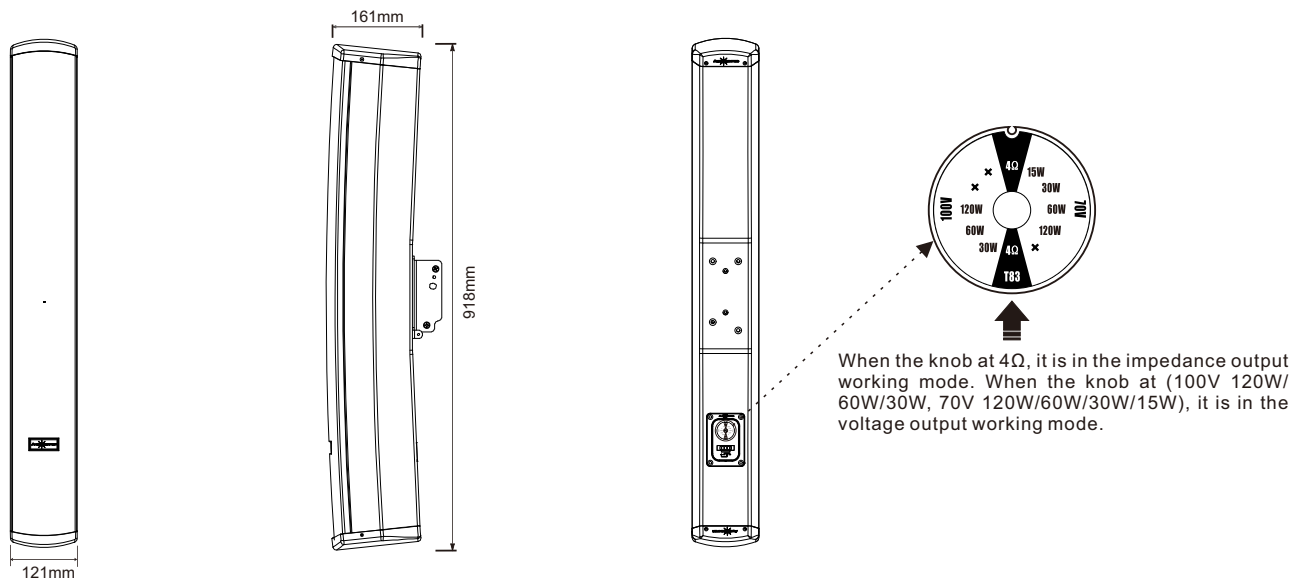


◆ Column speaker installation dimensions and application

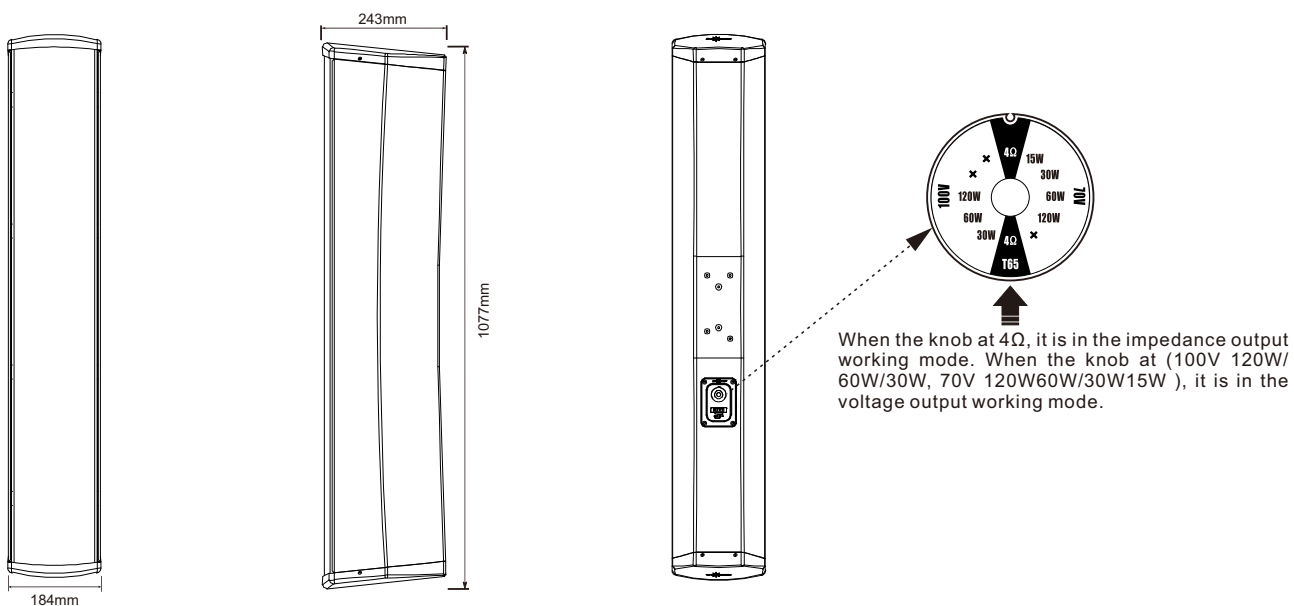
● Artist T43



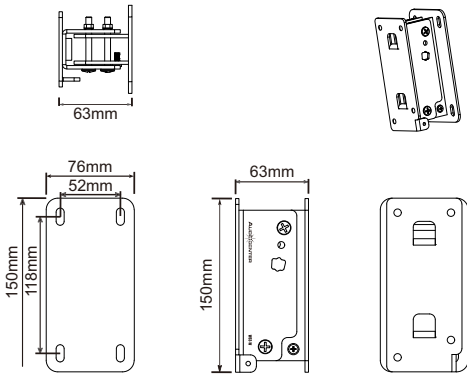
● Artist T83



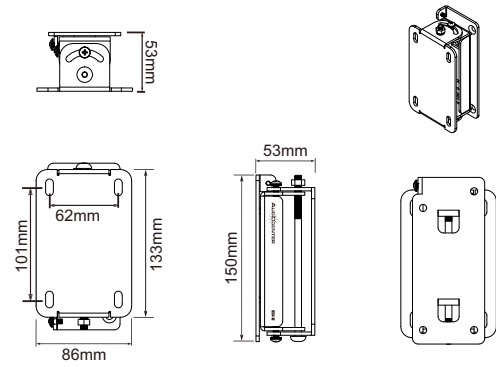
● Artist T65



W03 vertical wall mounting bracket

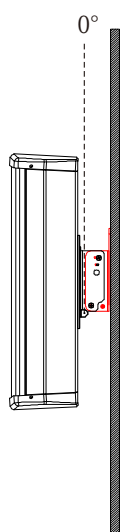


W04 horizontal wall mounting bracket

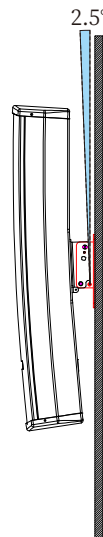


Application examples for universal wall mounting bracket of column speaker

(The following three models are 0°, 2.5°, and 5° adjustable equipped with the bracket)



Artist T43



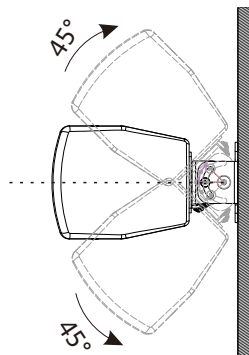
Artist T83



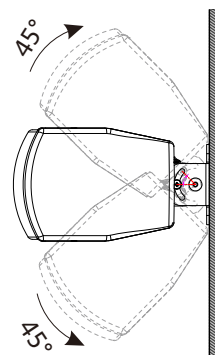
Artist T65

Application examples for W04 horizontal wall mounting bracket

(The maximum adjust angle for both models are 45° up and down)



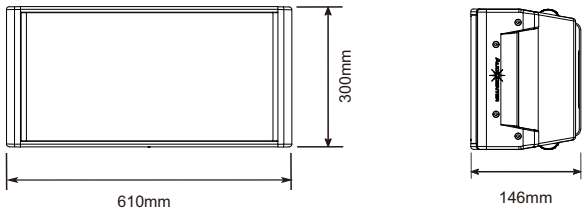
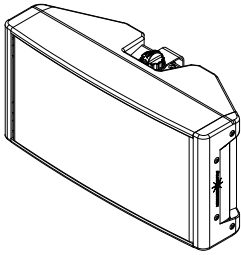
Artist T43



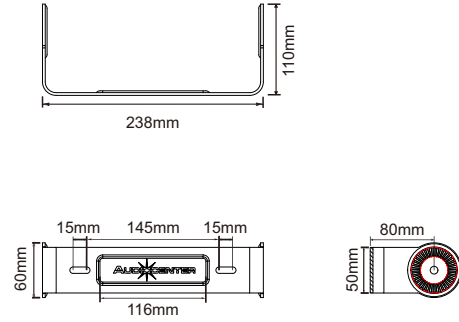
Artist T83

◆ Subwoofer installation dimensions and application

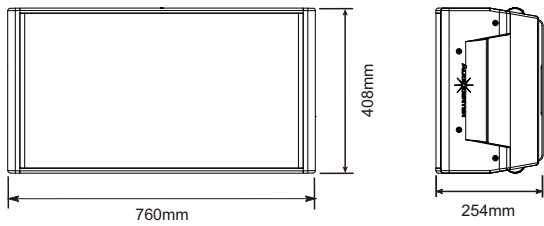
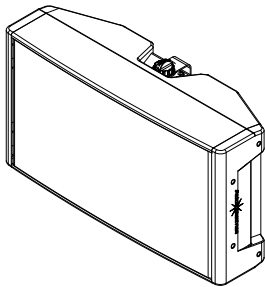
● Artist TW8



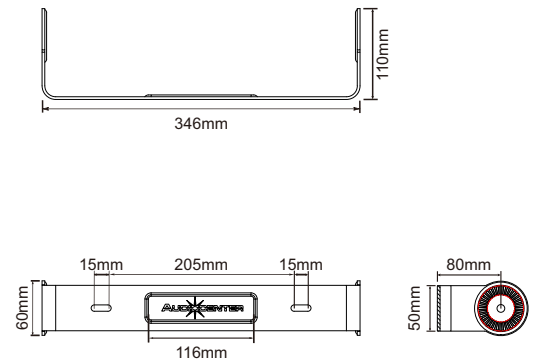
Artist TW8 U-shaped wall mounting bracket



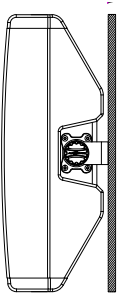
● Artist TW28



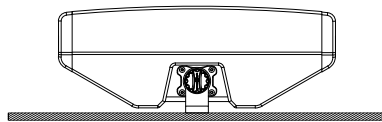
Artist TW28 U-shaped wall mounting bracket



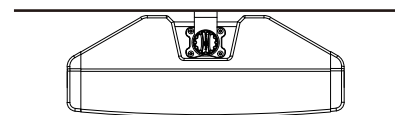
Artist TW8/TW28 Installation instruction



Wall mounting

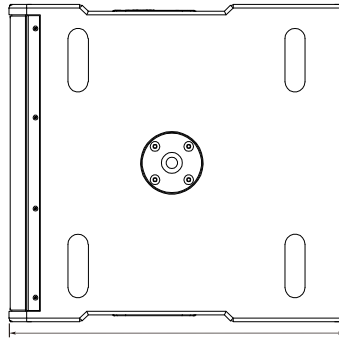
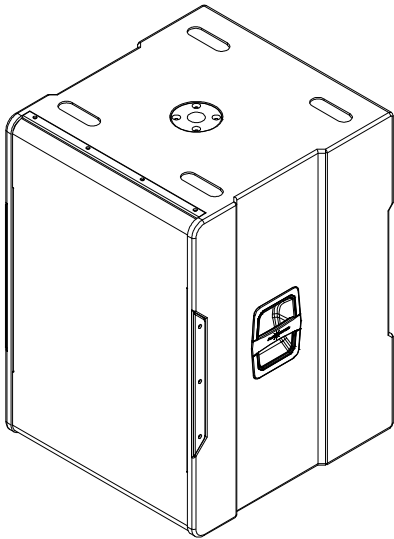


Ground mounting

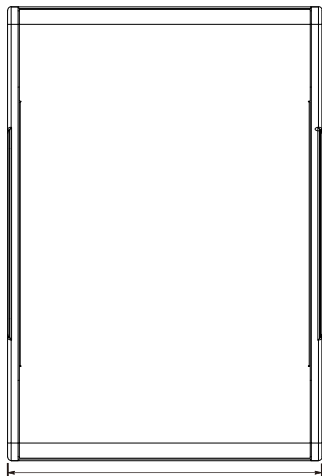


Ceiling hanging

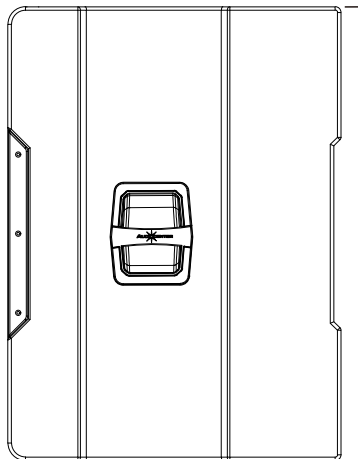
● Artist TW118



568mm



536mm



774mm

Specifications

SPECIFICATIONS	Artist Full Range Speaker		Artist Line Array				Artist Column Speaker				Artist Subwoofer		
	Artist T3	Artist T4	Artist T6	Artist T8	Artist T43	Artist T83	Artist T65	Artist TW8	Artist TW28	Artist TW118			
Driver	Full frequency 1x3"	LF 1x4" HF 2x1"	LF 1x6" HF 4x1"	LF 1x8" HF 4x1"	Full frequency 4x3"	Full frequency 8x3"	LF 6x5" HF 8x1"	LF 1x8"	LF 2x8"	LF 1x18"			
Frequency Response	110Hz-20KHz	100Hz-20KHz	55Hz-20KHz	50Hz-20KHz	90Hz-20KHz	76Hz-20KHz	60Hz-20KHz	37Hz-300Hz	37Hz-300Hz	31Hz-200Hz			
Horizontal Coverage Angle	110°	110°	110°	110°	120°	120°	110°	—	—	—			
Vertical Coverage Angle	100°	100°	60°	60°	90°	90°	65°	—	—	—			
Power(AES)	40W	60W	160W	260W	160W	320W	480W	250W	500W	800W			
Amp Module Power(RMS)	—												
Voltage	Inbuilt	70V	—										
		100V	80W/30W/15W/7.5W 120W/60W/30W/15W 120W/60W/30W/15W 60W/30W/15W 120W/60W/30W 120W/60W/30W										
Power	With Artist T-Box40	70V	—										
		100V	40W/20W/10W/5W 40W/20W/10W										
Maximum Calculated SPL/1M	113dB	116dB	126dB	128dB	127dB	130dB	133dB	128dB	131dB	137dB			
Rated Impedance	16Ω	16Ω	8Ω	8Ω	8Ω	4Ω	4Ω	8Ω	4Ω	8Ω			
Cabinet Material	Wood+Plastic												
Cabinet Color	Black/White												
Accessories	Included	Wall-mount Bracket											
	Optional	—	—	Fly Bar		—	—	—	—	—	—	—	—
Dimension(WxHxD)	121x133x138mm	154x174x158mm	344x277x218mm	418x277x261mm	121x549x146mm	121x918x191mm	184x1077x255mm	610x300x224mm	760x408x254mm	548x786x568mm			
Net Weight	1.0Kg	2.0Kg	6.5Kg	8.0Kg	3.6Kg	7.0Kg	15.0Kg	8.0Kg	12.0Kg	45.0Kg			

■ All content subject to change without notice. All rights reserved. AC - Artist - 202002
www.audiocenter.net www.facebook.com/Audiocenter.Globe



Dynamic Audio Solutions