



## **KWWDL15-WHT**

15w LED Circular Wall Washer, 40000hrs, White



## **Product Overview**

The Kosnic LED Wall Washer Downlight rotates through 340 degrees and has a 63 degree tilt. With a high CRI the downlight has many applications in retail display, showrooms, entertainment and hospitality. The downlight is available in 16 degree and 36 degree beam angle options along with different colour temperatures of 3000K to replicate halogen lighting and cooler 5000K. Manufactured from cast aluminium with a high quality reflector the Kosnic Wall Washer Downlight delivers where a highly efficient, high quality lighting solution is required.

---

Unit D2 Kennetside, Bone Lane  
Newbury, Berkshire

T: 01635 523 713 E: [sales@kosnic.com](mailto:sales@kosnic.com) W: <http://www.kosnic.com>

# Features

Simple and elegant appearance.

Uniform soft light for perfect presentation without dark areas.

Easy to install.

Supplied with separate Class II IP20 independent driver.

Compatible with Kosnic's KTC27EME-DWL emergency module.

High CRI.

High lumen output.

Long life of 40,000h.

Instant start.

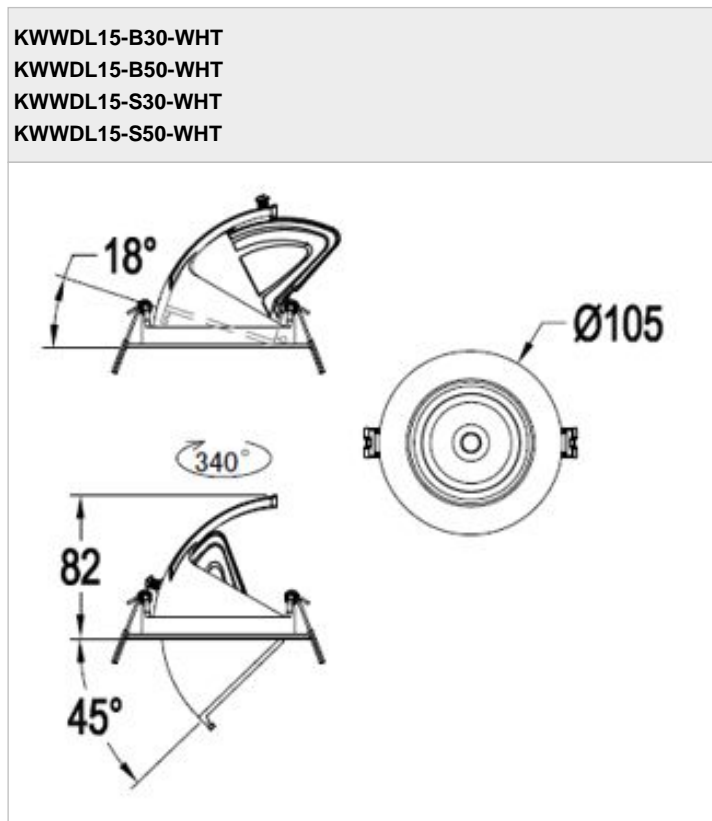
Negligible UV output.

Mercury free.

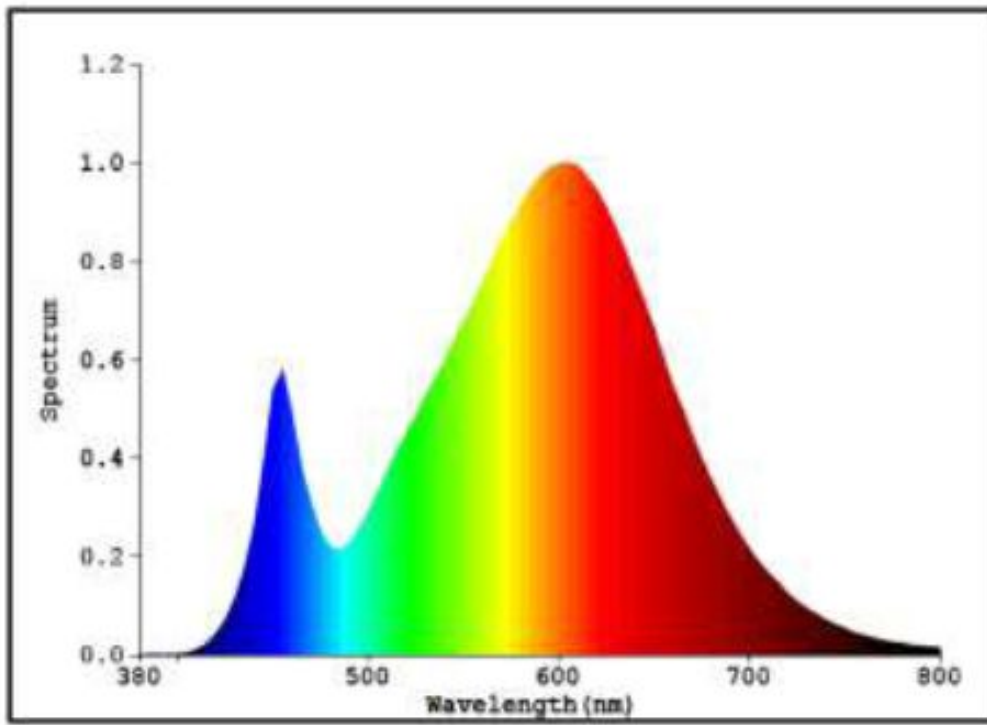
# Specifications

	KWWDL15-B30-WHT <sup>[1]</sup>	KWWDL15-B50-WHT <sup>[1]</sup>
	KWWDL15-S30-WHT <sup>[2]</sup>	KWWDL15-S50-WHT <sup>[2]</sup>
<b>Shape / Type</b>	Wall Washer Downlight	Wall Washer Downlight
<b>Colour Finish</b>	White	White
<b>Nominal Power (W)</b>	15	15
<b>Total Lumens (lm)</b>	1250	1250
<b>Input Current (mA)</b>	69	69
<b>Input Voltage</b>	220-240Vac 50-60Hz	220-240Vac 50-60Hz
<b>CCT Temperature (k)</b>	3000	5000
<b>CCT Name</b>	Warm White	Day Light
<b>Rated Life (hrs)</b>	40000	40000
<b>Nominal Lifetime (hrs)</b>	40000	40000
<b>Switch Cycles</b>	50000	50000
<b>Peak Candelas (cd)</b>	8420 <sup>[1]</sup> 3210 <sup>[2]</sup>	8420 <sup>[1]</sup> 3210 <sup>[2]</sup>
<b>Beam Angle (°)</b>	16 <sup>[1]</sup> 36 <sup>[2]</sup>	16 <sup>[1]</sup> 36 <sup>[2]</sup>
<b>CRI</b>	84	84
<b>Dimmable</b>	No	No
<b>Suitable for Accent Lighting</b>	Yes	Yes
<b>Power Factor</b>	0.95	0.95
<b>Class Protection</b>	Class III	Class III
<b>Connection</b>	Driver wiring leads	Driver wiring leads
<b>Start Time (s)</b>	0.10	0.10
<b>Warm-up Time (s)</b>	Instant full light	Instant full light

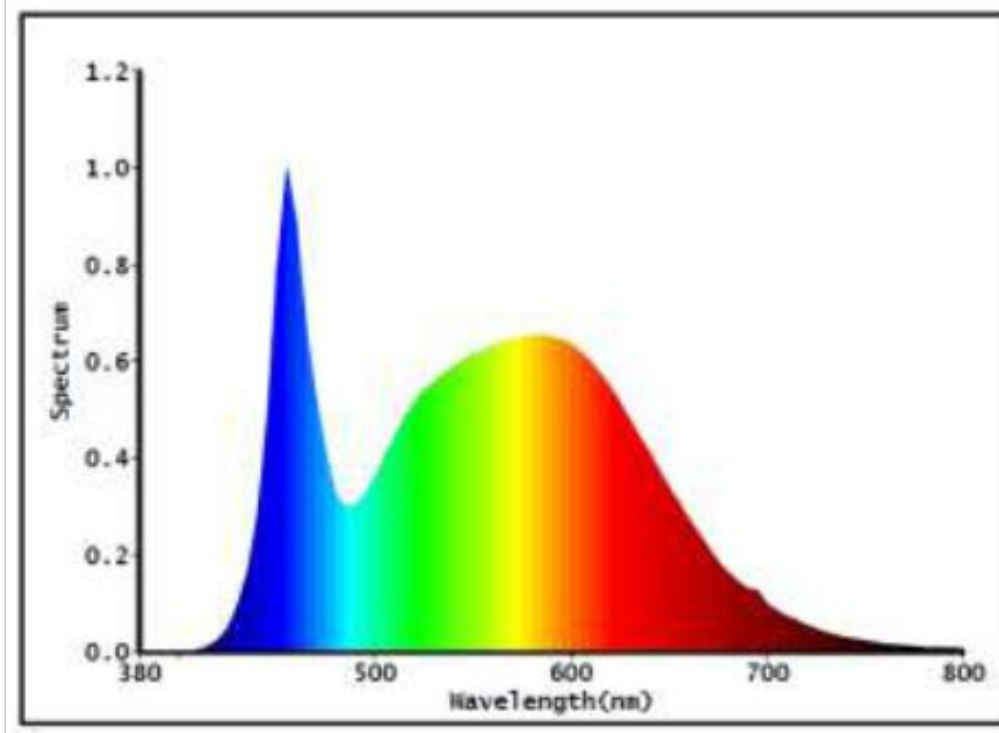
<b>Depth (mm)</b>	82	82
<b>Diameter (mm)</b>	105	105
<b>Cut-out (mm)</b>	90	90
<b>Mercury (mg)</b>	0	0
<b>Rated Power (W)</b>	15.0	15.0
<b>Rated Luminous Flux (lm)</b>	1250	1250
<b>LMF at Lifetime</b>	0.75	0.75
<b>SDCM of CCT</b>	<6	<6
<b>Ambient Temperature (°C)</b>	-20 to 50	-20 to 40 <sup>[1]</sup> -20 to 50 <sup>[2]</sup>
<b>Compatible Emergency Module</b>	KTC27EME-DWL	KTC27EME-DWL
<b>Emergency Luminous Flux</b>	220	220



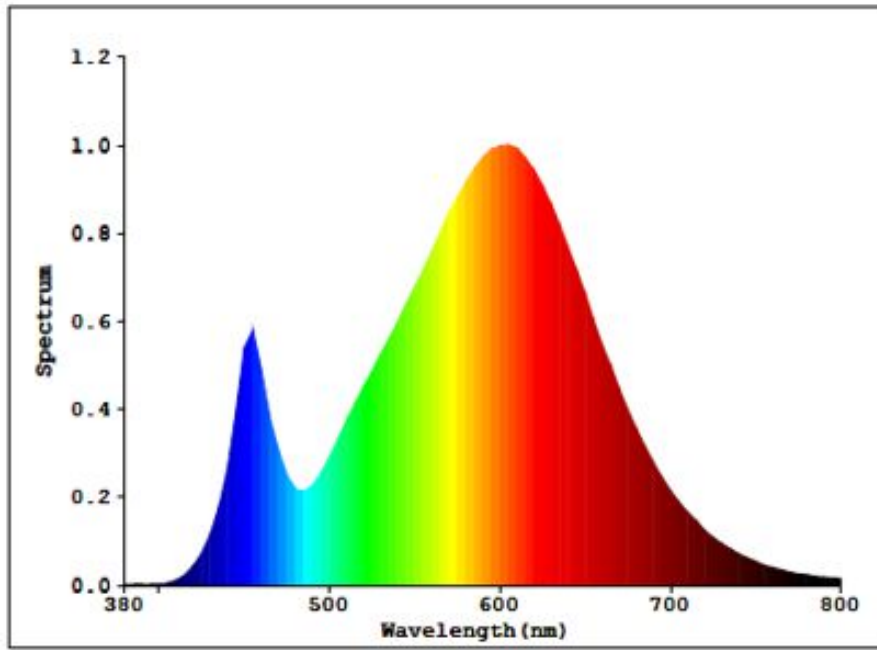
KWWDL15-B30-WHT



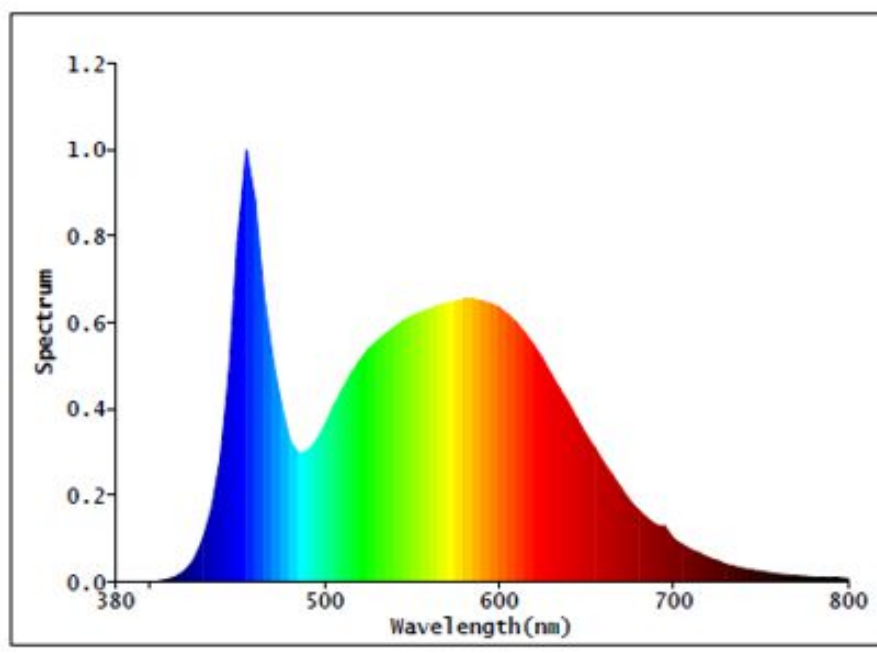
KWWDL15-B50-WHT



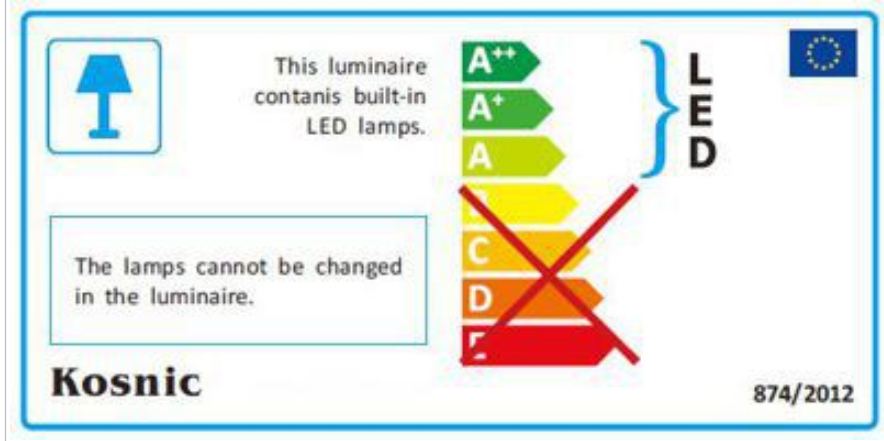
KWWDL15-S30-WHT



KWWDL15-S50-WHT



KWWDL15-B30-WHT  
KWWDL15-B50-WHT  
KWWDL15-S30-WHT  
KWWDL15-S50-WHT



Datasheet generated from <http://www.electrika.com> last updated Wednesday, May 23, 2018 11:59:43 AM