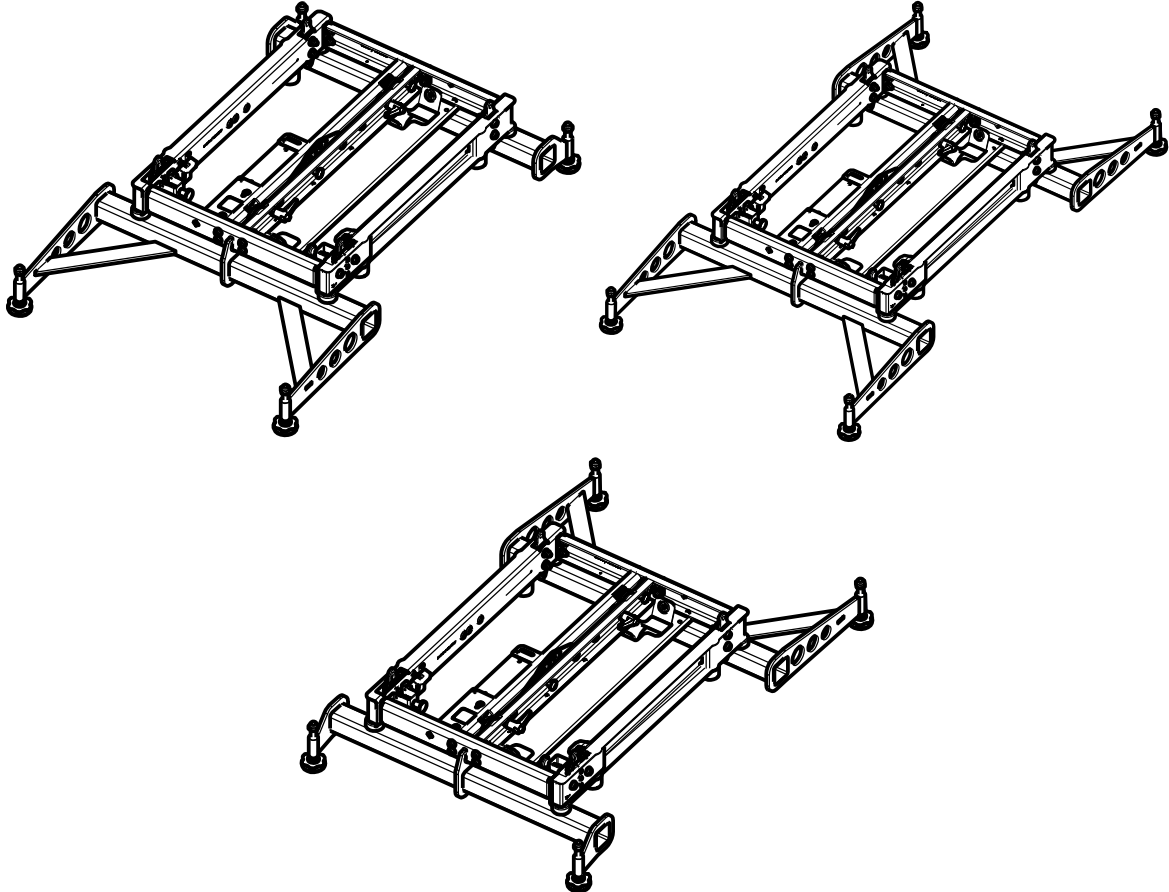
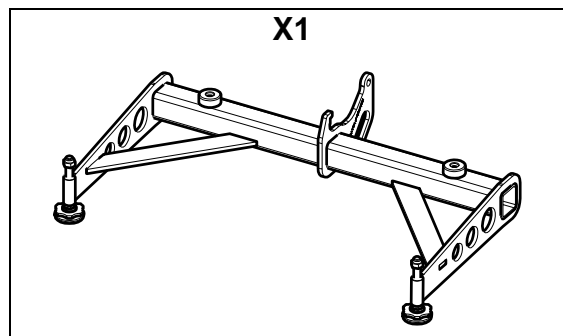


VNT-BUMPM10 stacking extension (Long)

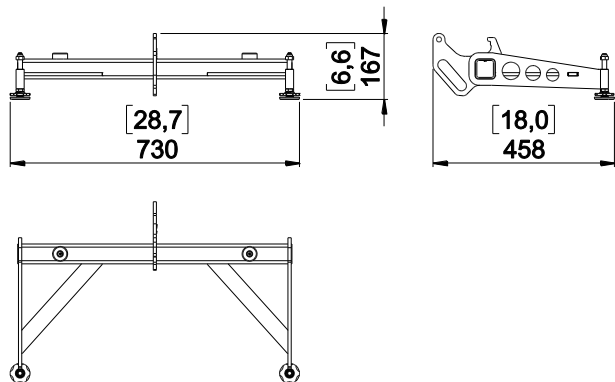


Contents:



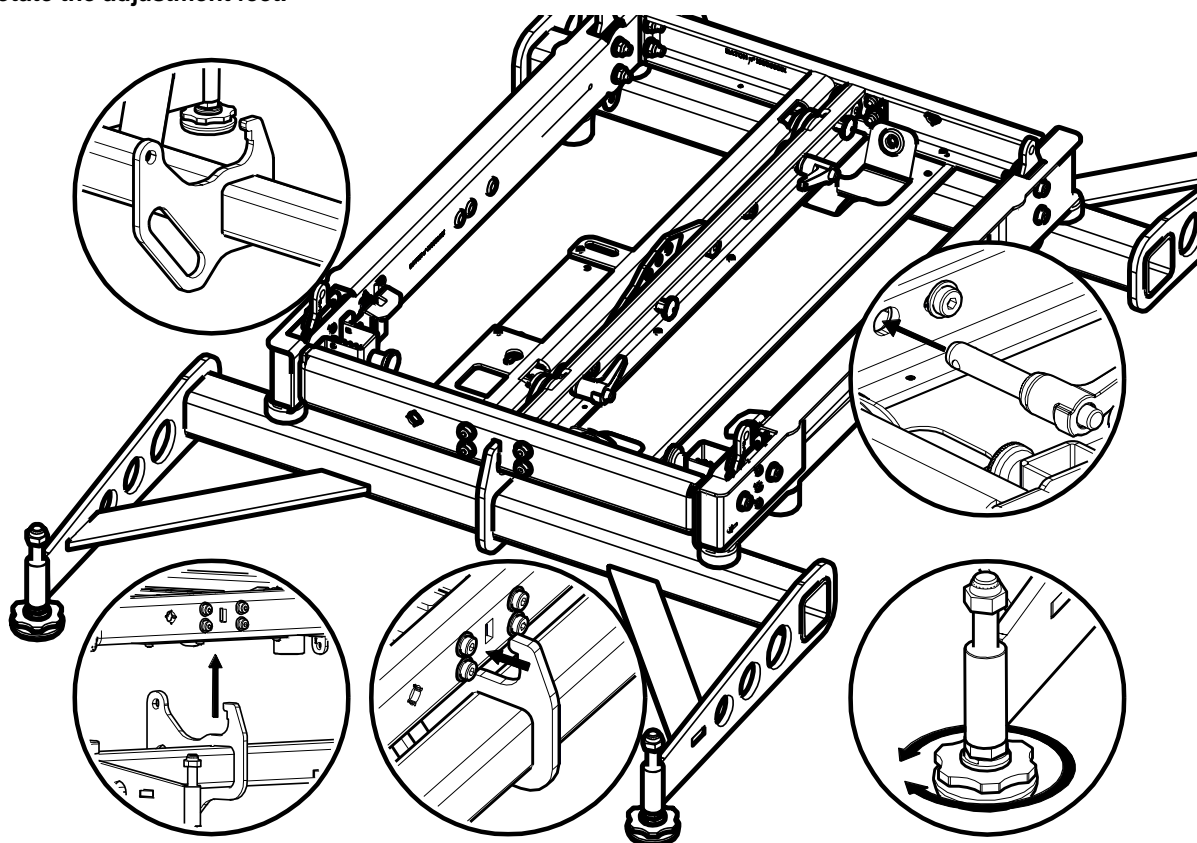
Weight: 9 kg / 20 lb

Dimensions:



Use:

- You find an integrated handle on GSTKM10L for its manipulation.
- GSTKM10L can be associated with the GSTKM10S.
- Place GSTKM10L by the bottom and fit the guide into the slot on the BUMPM10.
- Lock with the quick release pin 12x40 presents on the BUMPM10.
- Proceed in the same way for the other side.
- Rotate the adjustment feet.



- NEXO cannot accept responsibility for accidents caused by any factor other than defects in this product itself.
- Please check the web site nexo-sa.com for the latest update.

NEXO

www.nexo-sa.com

ZA du pre de la Dame Jeanne

60128 PLAILLY-France

- Read this document before using.
- Keep this document.
- Observe all warnings and cautions.

