

HURRICANE **HAZE 4D**

User Manual

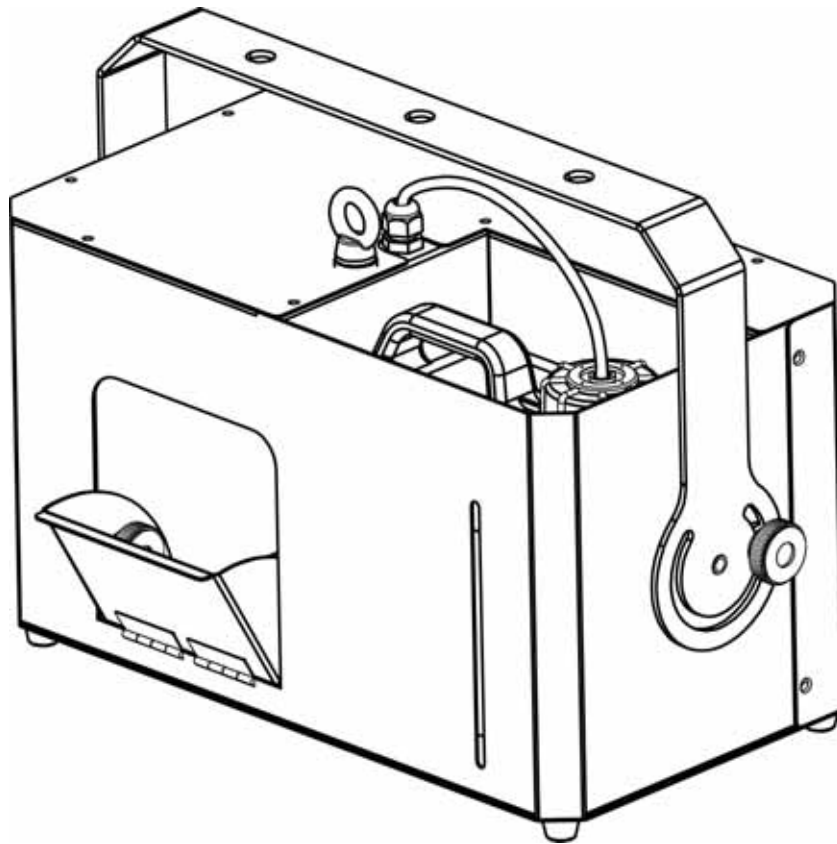


TABLE OF CONTENTS

1. Before You Begin	1
What Is Included	1
Unpacking Instructions.....	1
Claims	1
Text Conventions	1
Symbols	1
Disclaimer	1
Product at a Glance	2
Safety Notes.....	2
2. Introduction	3
Product Overview.....	3
Product Dimensions.....	3
3. Setup	4
AC Power	4
Fuse Replacement.....	4
Mounting	5
Orientation.....	5
Rigging.....	5
4. Operation	6
Hurricane Haze 4D Control Priority.....	6
Control Panel Operation.....	6
Manual Control Knobs.....	6
Menu Map	6
Configuration (DMX)	6
Starting Address.....	6
DMX Channel Assignments and Values	6
Wired Timer Remote Setup.....	7
Wired Timer Remote Operation	7
5. Maintenance and Storage	8
Hazer Maintenance	8
Storage.....	8
6. Technical Specifications	9
7. Returns	10
7. Contact Us	11

1. BEFORE YOU BEGIN

What Is Included

- Hurricane Haze 4D
- Power Cord
- Wired Timer Remote
- Hanging Bracket with Mounting Hardware
- Warranty Card
- Quick Reference Guide

Unpacking Instructions

Carefully unpack the product immediately and check the container to make sure all the parts are in the package and are in good condition.

Claims





If the box or the contents (the product and included accessories) appear damaged from shipping, or show signs of mishandling, notify the carrier immediately, not Chauvet. Failure to report damage to the carrier immediately may invalidate your claim. In addition, keep the box and contents for inspection.

For other issues, such as missing components or parts, damage not related to shipping, or concealed damage, file a claim with Chauvet within 7 days of delivery.

Text Conventions

CONVENTION	MEANING
1–512	A range of values
50/60	A set of values of which only one can be chosen
Settings	A menu option not to be modified
<ENTER>	A key to be pressed on the product's control panel
ON	A value to be entered or selected

Symbols

SYMBOL	MEANING
	Electrical warning. Not following these instructions may cause electrical damage to the product, accessories, or the user.
	Critical installation, configuration, or operation information. Not following these instructions may make the product not work, cause damage to the product, or cause harm to the operator.
	Important installation or configuration information. The product may not function correctly if this information is not used.
	Useful information.

Disclaimer

Chauvet believes that the information contained in this manual is accurate in all respects. However, Chauvet assumes no responsibility and specifically disclaims any and all liability to any party for any loss, damage or disruption caused by any errors or omissions in this document, whether such errors or omissions result from negligence, accident or any other cause. Chauvet reserves the right to revise the content of this document without any obligation to notify any person or company of such revision, however, Chauvet has no obligation to make, and does not commit to make, any such revisions. Download the latest version from www.chauvetdj.com.

The works of authorship contained in this manual, including, but not limited to, all design, text and images are owned by Chauvet.

© Copyright 2016 Chauvet & Sons, LLC. All rights reserved.

Electronically published by Chauvet in the United States of America.

CHAUVET, the Chauvet logo, and Hurricane Haze 4D are registered trademarks or trademarks of Chauvet & Sons LLC (d/b/a Chauvet and Chauvet Lighting) in the United States and other countries. Other company and product names and logos referred to herein may be trademarks of their respective companies.

Product at a Glance

Use on Dimmer		Auto Programs	
Outdoor Use		Auto-ranging Power Supply	
Sound-Active		Replaceable Fuse	
DMX		User-Serviceable	
Master/Slave			

Safety Notes



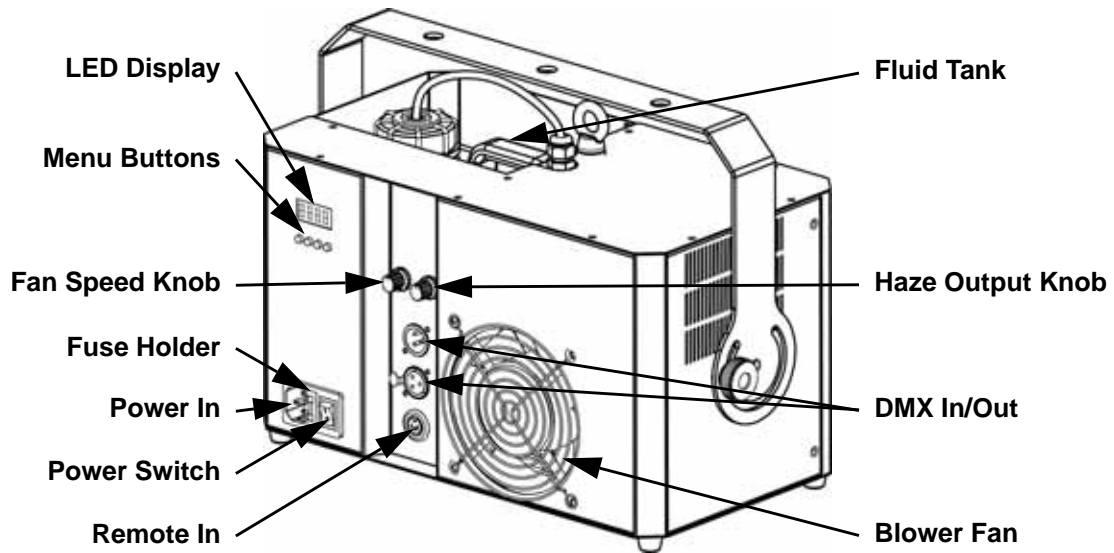
- Not intended for permanent installations.
- Always connect the product to a grounded circuit to avoid the risk of electrocution.
- Always disconnect this product from the power source before cleaning it or replacing the fuse.
- Make sure the power cord is not crimped or damaged.
- Never disconnect the power cord by pulling or tugging on the cord.
- If mounting this product overhead, always secure it to a fastening device using a safety cable.
- Do not mount this product on a flammable surface (e.g., wood, linoleum, carton, plastic, or carpet).
- Make sure there are no flammable materials close to the unit while operating
- Do not touch the output nozzle on this product. It is very hot during operation and it may remain hot for several hours after turning the unit off.
- Do not drink the haze fluid. If you do, call your local emergency service (911 in the US) for help.
- Do not add perfume, alcohol, gasoline, or any other flammables to the haze fluid.
- Depending on the amount of haze generated, all haze machines may set off smoke detectors.
- In certain environments, haze fluid-based machines may leave a slippery residue on floors and surfaces.
- Do not use for space heating purposes.
- Use only CHAUVET DJ water-based haze fluid.
- Drain the tank before transporting the product.
- Always make sure that the voltage of the outlet to which you are connecting the product is within the range stated in the decal or rear panel of the product.
- This product is for indoor use only! To prevent risk of fire or shock, do not expose this product to rain or moisture.
- Always install this product in a location with adequate ventilation, at least 20 in (50 cm) from adjacent surfaces.
- Be sure that no ventilation slots on the unit's housing are blocked.
- Never connect this product to a dimmer or rheostat.
- Make sure to replace the fuse with another of the same type and rating.
- Never carry the product from the power cord or any moving part. Always use the hanging/mounting bracket.
- The maximum ambient temperature (Ta) is 104 °F (40 °C). Do not operate this product at higher temperatures.
- In the event of a serious operating problem, stop using the product immediately.
- Never try to repair this product. Repairs carried out by unskilled people can lead to damage or malfunction. Please contact the nearest authorized technical assistance center.
- To eliminate unnecessary wear and improve its lifespan, during periods of non-use completely disconnect the product from power via breaker or by unplugging it.



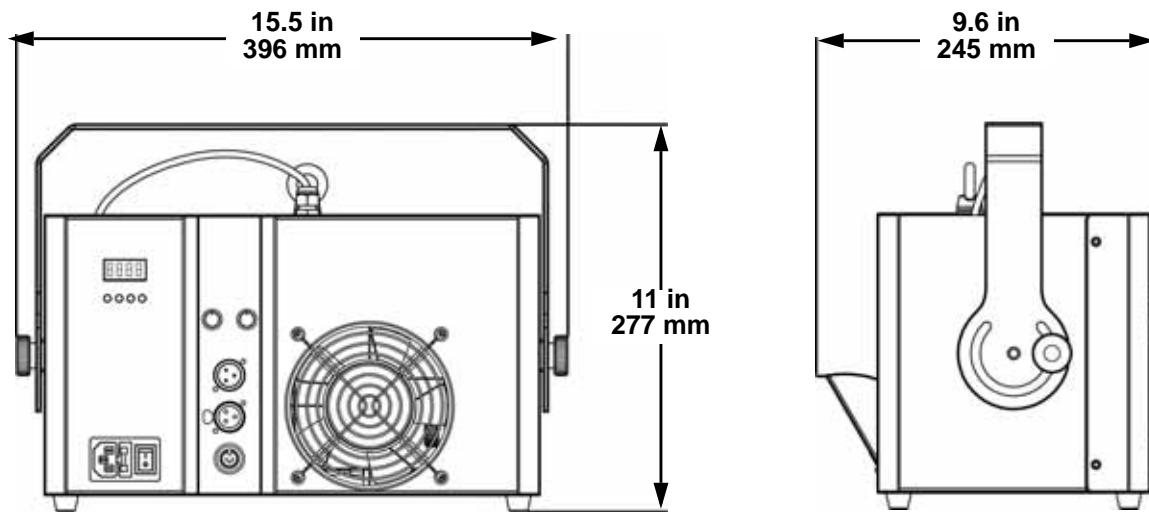
Keep this User Manual for future use. If you sell the product, be sure that the purchaser receives this document.

2. INTRODUCTION

Product Overview



Product Dimensions



3. SETUP

AC Power

The Hurricane Haze 4D has a fixed voltage power supply and it can work with an input voltage of either 120 VAC, 60 Hz or 230 VAC, 50 Hz, depending on the specific model.

To determine the product's power requirements (circuit breaker, power outlet, and wiring), use the current value listed on the label affixed to the product's back panel, or refer to the product's specifications chart.

The listed current rating indicates the product's average current draw under normal conditions.



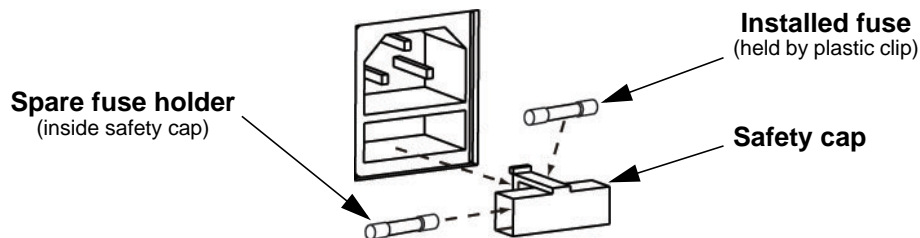
- **Always connect the product to a protected circuit (a circuit breaker or fuse). Make sure the product has an appropriate electrical ground to avoid the risk of electrocution or fire.**
- **To eliminate unnecessary wear and improve its lifespan, during periods of non-use completely disconnect the product from power via breaker or by unplugging it.**



Never connect the product to a rheostat (variable resistor) or dimmer circuit, even if the rheostat or dimmer channel serves only as a 0 to 100% switch.

Fuse Replacement

1. Wedge the tip of a flat-head screwdriver into the slot of the fuse holder.
2. Pry the fuse holder out of the housing.
3. Remove the blown fuse from the holder and replace with a fuse of the exact same type and rating.
4. Insert the fuse holder back in place and reconnect power.



Disconnect the product from the power outlet before replacing the fuse.

Mounting

Before mounting the product, read and follow the safety recommendations indicated in the [Safety Notes](#).

Orientation

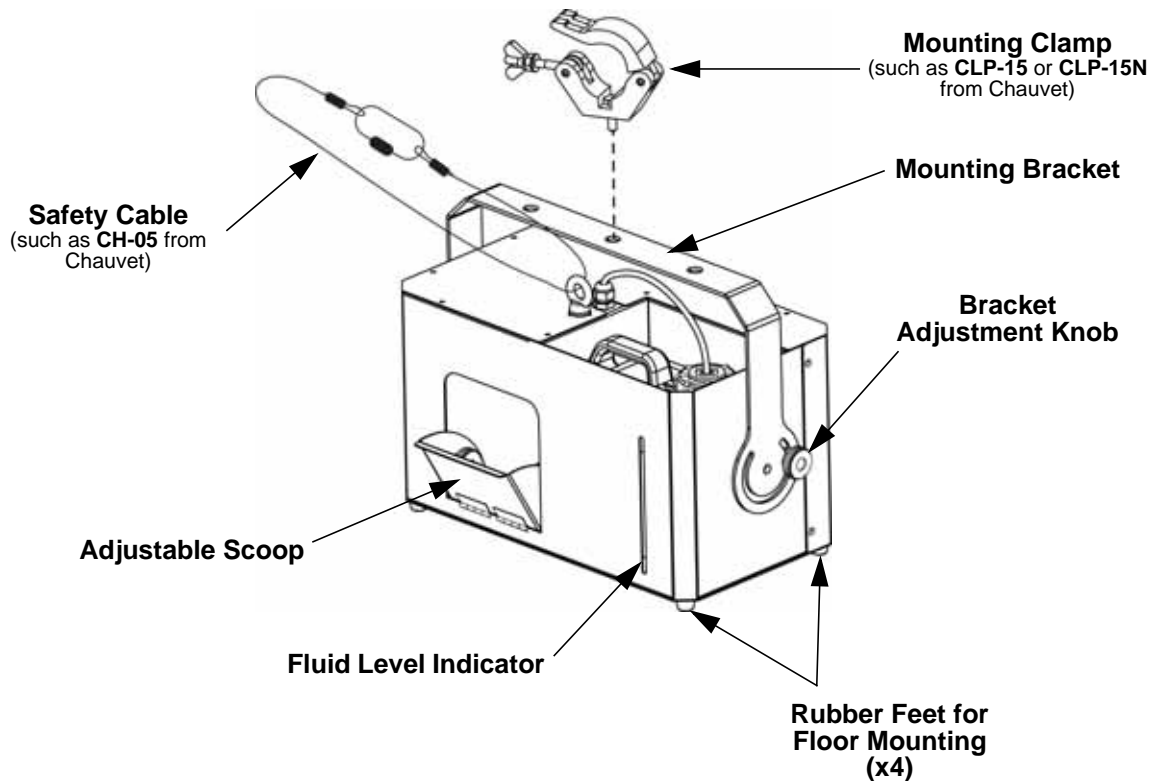


This product may NOT be tilted. This product should be level when on a surface or when mounted.

Rigging

- Before deciding on a location, always make sure there is easy access to the product for maintenance and fluid replenishment.
- Make sure adequate ventilation is provided around the product.
- Make sure that the structure or surface onto which you are mounting the product can support the product's weight. (see the [Technical Specifications](#))
- When mounting the product overhead, always use a safety cable. Mount the product securely to a rigging point, such as an elevated platform or a truss.
- When rigging the product onto a truss, you should use a mounting clamp of appropriate weight capacity. The bracket has 13-mm holes, which are appropriate for this purpose.
- The rubber feet also serve as floor supports and allow for surface mounting. When mounting the product on the floor, make sure that the product and cables are away from people and vehicles.

Mounting Diagram



While operating the Hurricane Haze 4D, make sure there is adequate haze fluid in the machine to prevent pump and heater damage. When the haze fluid level becomes low, simply add more haze fluid to continue using the Hurricane Haze 4D.

4. OPERATION

Hurricane Haze 4D Control Priority

The Hurricane Haze 4D operates according to the following priority control levels:



1. A DMX controller takes the highest priority, and will override both the Wired Timer Remote and the manual control knobs.
2. The manual control knobs will override the Wired Timer Remote, but not a DMX controller.
3. The Wired Timer Remote has the lowest priority.

Control Panel Operation

To access the control panel functions, use the four buttons located underneath the display, and the two manual control knobs located to the right of the display. Please refer to the [Product Overview](#) to see the button and knob locations on the control panel.

BUTTON	FUNCTION
<MENU>	Press to find an operation mode or to back out of the current menu option
<UP>	Press to scroll up the list of options or to find a higher value
<DOWN>	Press to scroll down the list of options or to find a lower value
<ENTER>	Press to activate a menu option or a selected value

Manual Control Knobs

The manual control knobs allow for operation of the Hurricane Haze 4D without a controller.

KNOB	FUNCTION
Fan Speed	Left knob. Turn clockwise to increase fan speed from 1–100
Haze Output	Right knob. Turn clockwise to increase haze output from 0–100

Menu Map

PROGRAMMING LEVELS	DESCRIPTION
h 0–100	Haze output, set by the right knob
F 1–100	Fan speed, set by the left knob
d 1–512	DMX starting address

Configuration (DMX)

The Hurricane Haze 4D works with a DMX controller. Information about DMX is in the CHAUVET DMX Primer, which is available from the Chauvet website http://www.chauvetlighting.com/downloads/DMX_Primer_rev05_WO.pdf.

Starting Address

When selecting a starting DMX address, always consider the number of DMX channels the selected DMX mode uses. If you choose a starting address that is too high, you could restrict the access to some of the product's channels.

The Hurricane Haze 4D uses 2 DMX channels, which defines the highest configurable address to **511**.

If you are not familiar with the DMX protocol, download the DMX Primer from www.chauvetdj.com.

To select the starting address, do the following:

1. Press <MENU> repeatedly until **d _ _** shows on the display.
2. Use <UP> or <DOWN> to select the starting address.
3. Press <ENTER>.

DMX Channel Assignments and Values

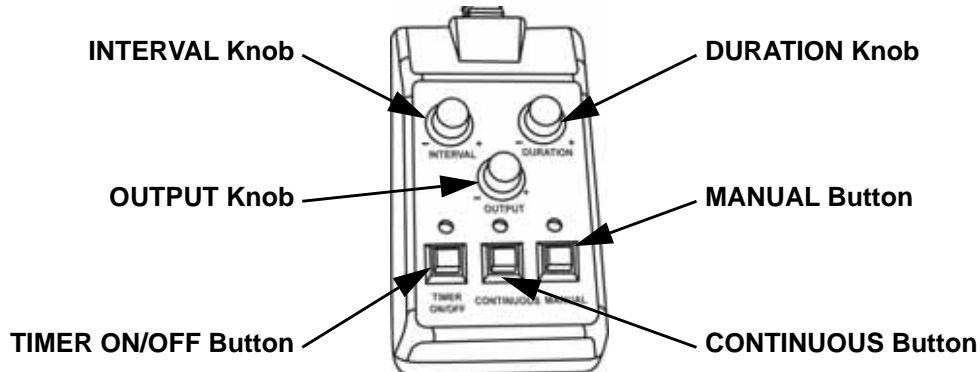
CHANNEL	FUNCTION	VALUE	PERCENT/SETTING
1	Fan Speed	000 ⇔ 255	Low to high
2	Haze Output	000 ⇔ 255	Low to high

Wired Timer Remote Setup

The Wired Timer Remote allows you to automatically trigger haze output by setting output, interval time, and duration time. LED indicator lights display the machine and controller's current state. Rotary knobs set interval, output, and duration times, while manual and continuous buttons allow overriding control.

1. Plug in the haze machine to power.
2. Plug in the wired timer controller to the Remote socket on the back of the haze machine. (See the [Product Overview](#).)
3. Allow the Hurricane Haze 4D three to four minutes to heat up before continuing.

Wired Timer Remote Overview



Wired Timer Remote Operation

The Wired Timer Remote has three modes of operation: timer, continuous, and manual.

Timer Mode

To trigger the Hurricane Haze 4D with the timer function, follow the instructions below:

1. Set the desired output level with the **OUTPUT** knob.
2. Set the **INTERVAL** and **DURATION** knobs to the desired positions.
 - The **INTERVAL** knob sets the amount of time in between bursts of haze.
 - The **DURATION** knob sets the length of time that the haze machine will run during the burst.
3. Press the **<TIMER ON/OFF>** latching button. The LED indicator above the button will light up. The timer will now run as set by the **INTERVAL**, **DURATION**, and **OUTPUT** knobs.
4. Press the **<TIMER ON/OFF>** button again to turn off the timer.



The **MANUAL** Button will override the timer function.

Continuous Mode

To trigger the Hurricane Haze 4D to continuously cycle haze, follow the instructions below:

1. Set the desired output level with the **OUTPUT** knob.
2. Press the **<CONTINUOUS>** latching button. The LED indicator above the button will light up. The haze machine outputs haze until the **<CONTINUOUS>** button is pressed again.
3. Press the **<CONTINUOUS>** button again to stop the haze output.



- The duration of Continuous haze output is based on the capacity of the tank.
- Fluid consumption will be significantly increased during Continuous mode.

Manual Mode

To trigger the Hurricane Haze 4D manually, do the following:

1. Set the desired output level with the **OUTPUT** knob.
2. Press and hold the **<MANUAL>** button on the Wired Timer Remote. The LED indicator above the button will light up. The haze machine will output haze for as long as you hold down the **<MANUAL>** button.
3. Release the **<MANUAL>** button to stop the haze output.

5. MAINTENANCE AND STORAGE

Hazer Maintenance

Do not allow the hazer to become clogged. After every 40 hours of continuous operation, use CHAUVET Fog Cleaner Quart (FCQ) through the system to prevent the accumulation of particulate matter in the heating element.

The recommended cleaning procedure is as follows.

1. Unplug the product from power.
2. Empty all haze fluid from the machine.
3. Add cleaning solution to the tank.
4. Connect the product to power and allow it to warm up.
5. Run the unit in a well-ventilated area until the tank is almost empty. Do not allow the pump to run dry.
6. Refill with haze fluid to continue using the hazer. Run the machine briefly to clear any remaining cleaning solution from the pump and heater.



Do Not operate the machine without fluid at any time.



Fog Cleaner Quart (FCQ) was specifically developed by Chauvet to clean your Hurricane Haze 4D. Make sure you use FCQ regularly, no longer than 90 days between cleanings, to increase the life of your product.

Storage

Before storing the hazer, run FCQ through the system as described in the cleaning procedure above; however, only follow steps 1 through 5. **Do not refill the tank with haze fluid if storing the hazer.** Cleaning the system prior to storage will help prevent any particles from condensing inside the pump or heater while not in use.



Test-run your Hurricane Haze 4D on a monthly basis to achieve the best performance.

Powering off the unit for transport

Follow these instructions to prevent leaks, and allow the air pump to entirely clear the fluid line and heater of the haze fluid before power off.



To prevent spills or leaks before, during, or after transport, Chauvet recommends the following steps for your Hurricane Haze 4D:

1. Turn the "Haze Volume" output to off.
2. Wait 30-45 seconds.
3. When there is no more haze fluid in the output line, turn off the machine by pressing the power switch.

6. TECHNICAL SPECIFICATIONS

Dimensions and Weight

LENGTH	WIDTH	HEIGHT	WEIGHT
11 in (277 mm)	15.5 in (396 mm)	9.6 in (245 mm)	13.2 lb (6 kg)

Note: Dimensions in inches rounded to the nearest decimal digit.

Power

POWER SUPPLY TYPE	RANGE	VOLTAGE SELECTION
Model-specific	120 VAC, 60 Hz, or 230 VAC, 50 Hz	Fixed
PARAMETER	120 V, 60 Hz	230 V, 50 Hz
Consumption	1120 W	1120 W
Operating Current	8.1 A	4.8 A
Fuse	F 15 A, 250 V	F 15 A, 250 V
POWER I/O	U.S./WORLDWIDE	UK/EUROPE
Power input connector	IEC	IEC
Power Cord plug	Edison (U.S.)	Local Plug

Operation

HEAT-UP TIME	TANK CAPACITY	FLUID CONSUMPTION
2 min	9 gal (3.75 l)	10 ml/min

Fog Output

OUTPUT
4300 cfm

Thermal

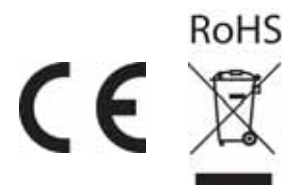
MAXIMUM EXTERNAL TEMPERATURE	COOLING SYSTEM
104 °F (40 °C)	Convection

DMX

I/O CONNECTOR	CHANNEL RANGE
3-pin XLR	2

Ordering

PRODUCT NAME	ITEM CODE	UPC NUMBER
Hurricane Haze 4D (120 V)	05071211	781462215590
Hurricane Haze 4D (230 V)	05071212	781462215606



RETURNS

In case you need to get support or return a product:

- If you are located in the U.S., contact Chauvet World Headquarters.
- If you are located in the UK or Ireland, contact Chauvet Europe Ltd.
- If you are located in Mexico, contact Chauvet Mexico.
- If you are located in Benelux, contact Chauvet Europe BVBA.
- If you are located in any other country, DO NOT contact Chauvet. Instead, contact your local distributor. See www.chauvetdj.com for distributors outside the U.S., UK, Ireland, Mexico, or Benelux.



If you are located outside the U.S., UK, Ireland, Mexico, or Benelux, contact your distributor of record and follow their instructions on how to return Chauvet products to them. Visit our website www.chauvetdj.com for contact details.

Call the corresponding Chauvet Technical Support office and request a Return Merchandise Authorization (RMA) number before shipping the product. Be prepared to provide the model number, serial number, and a brief description of the cause for the return.

Send the merchandise prepaid, in its original box, and with its original packing and accessories. Chauvet will not issue call tags.

Clearly label the package with the RMA number. Chauvet will refuse any product returned without an RMA number.



Write the RMA number on a properly affixed label. DO NOT write the RMA number directly on the box.

Before sending the product, clearly write the following information on a piece of paper and place it inside the box:

- Your name
- Your address
- Your phone number
- RMA number
- A brief description of the problem

Be sure to pack the product properly. Any shipping damage resulting from inadequate packaging will be your responsibility. FedEx packing or double-boxing are recommended.



Chauvet reserves the right to use its own discretion to repair or replace returned product(s).

CONTACT US

World Headquarters	
General Information	Technical Support
Address: 5200 NW 108th Ave. Sunrise, FL 33351 Voice: (954) 577-4455 Fax: (954) 929-5560 Toll Free: (800) 762-1084	Voice: (954) 577-4455 (Press 4) Fax: (954) 756-8015 Email: tech@chauvetlighting.com
	Website
	www.chauvetlighting.com
EUROPE	
General Information	Technical Support
Address: Stokstraat 18 9770 Kruishoutem Belgium Voice: +32 9 388 93 97	Email: eutech@chauvetlighting.eu
	Website
	www.chauvetlighting.eu
General Information	Technical Support
Address: Unit 1C Brookhill Road Industrial Estate Pinxton, Nottingham, UK NG16 6NT Voice: +44 (0) 1773 511115 Fax: +44 (0) 1773 511110	Email: uktech@chauvetlighting.com
	Website
	www.chauvetlighting.co.uk
MEXICO	
General Information	Technical Support
Address: Av. de las Partidas, 34-3B, Zona Industrial Lerma Lerma, Mexico C.P. 52000 Voice: +52 (728) 285-5000	Email: servicio@chauvet.com.mx
	Website
	www.chauvet.com.mx

Visit the applicable website above to verify our contact details and instructions to request support. Outside the U.S., United Kingdom, Ireland, Mexico or Benelux, contact the dealer of record.