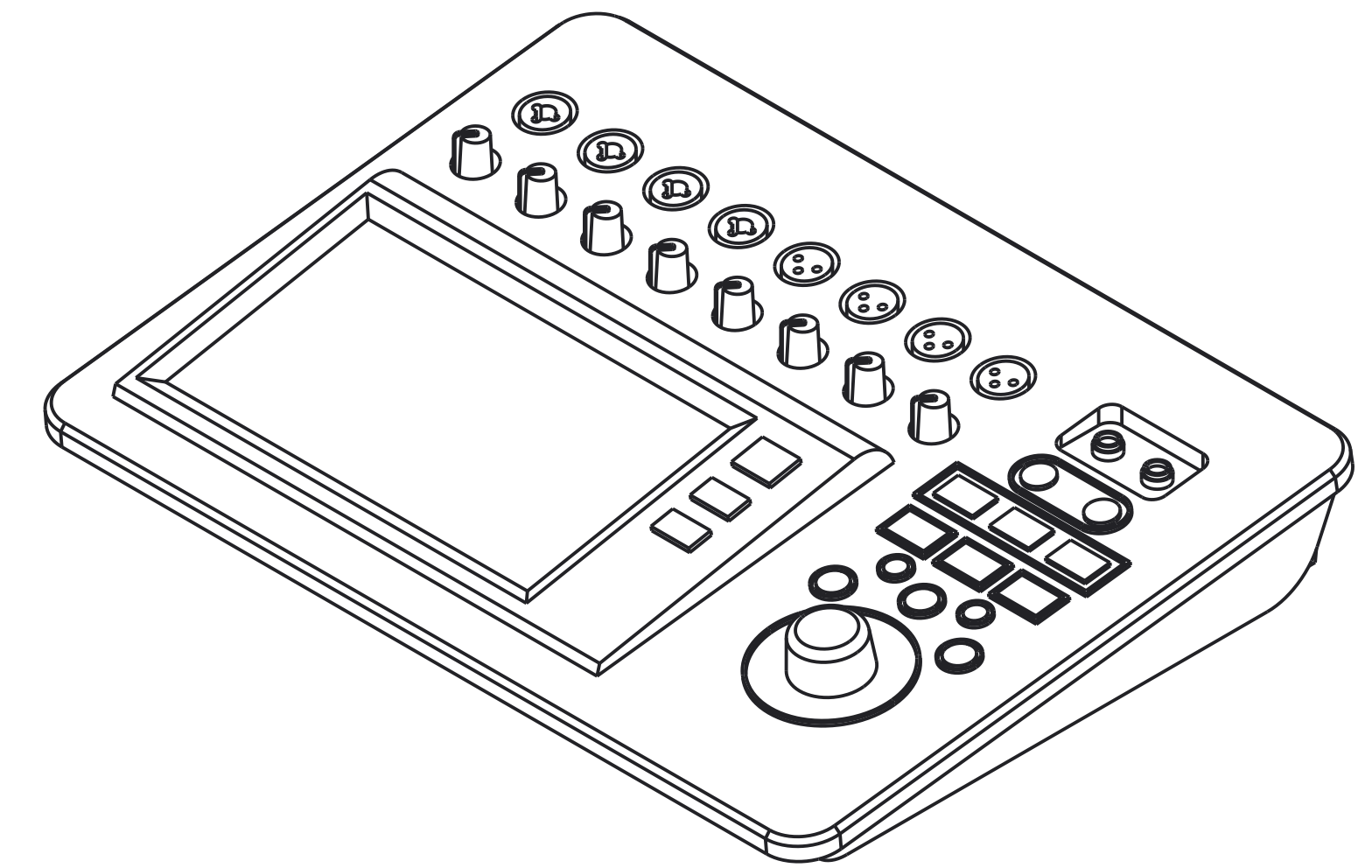
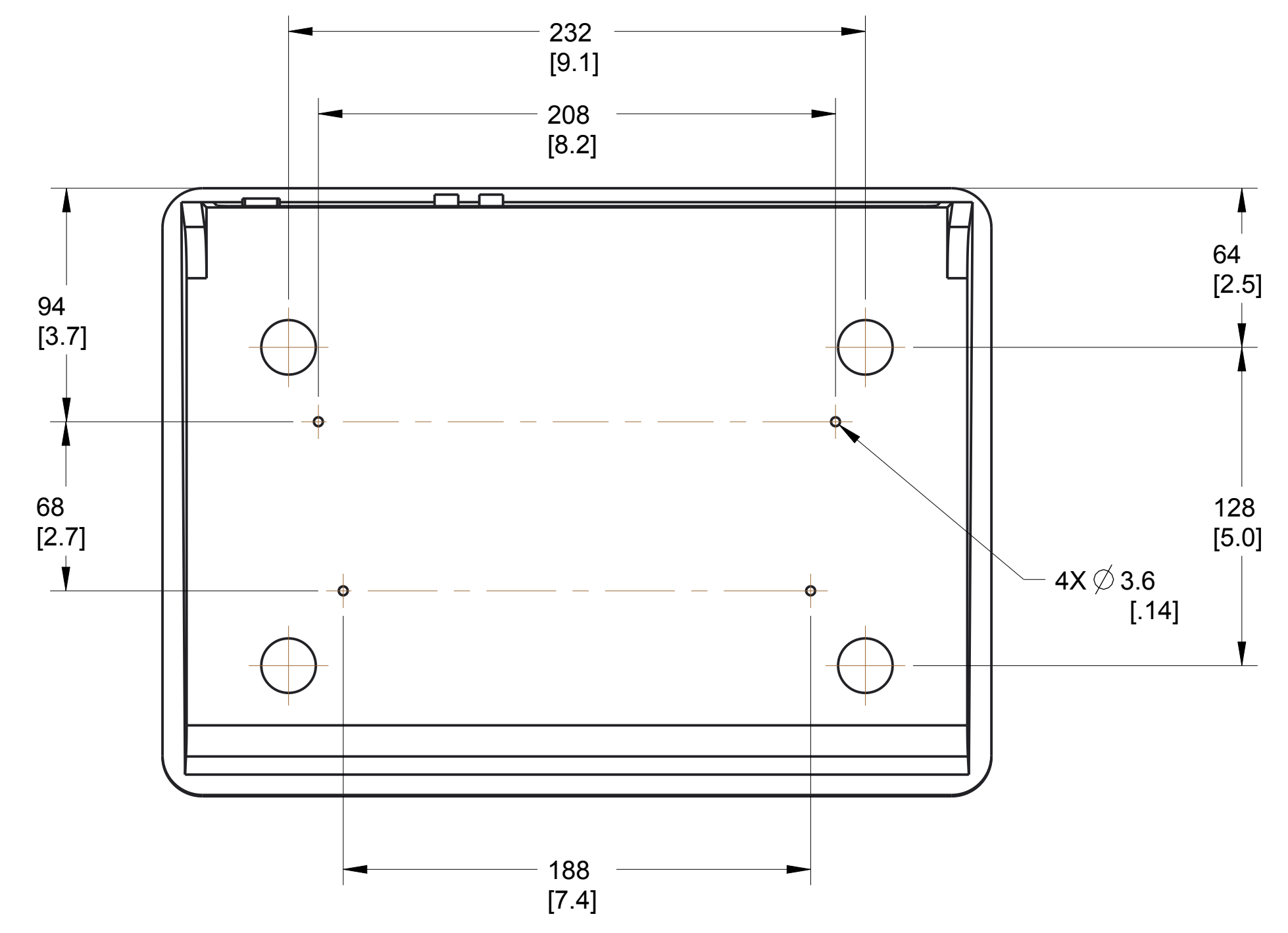
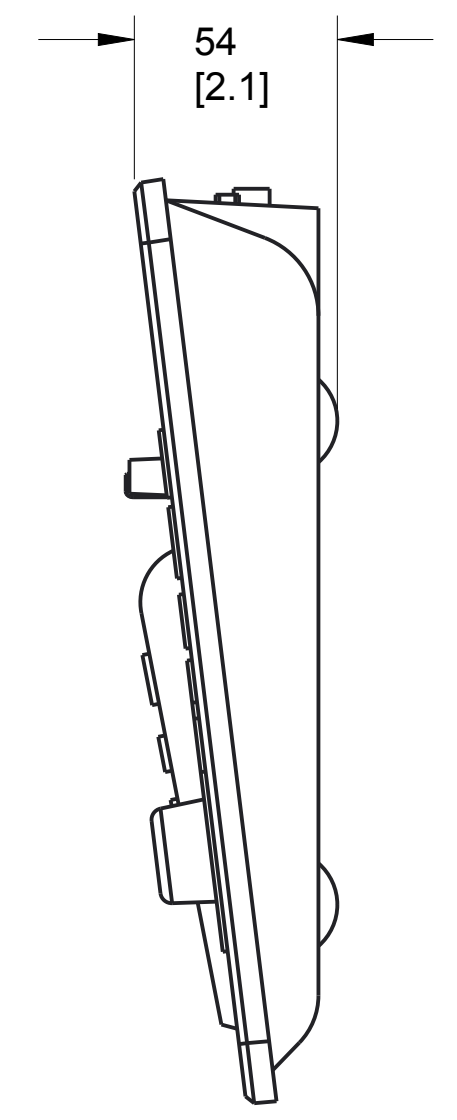
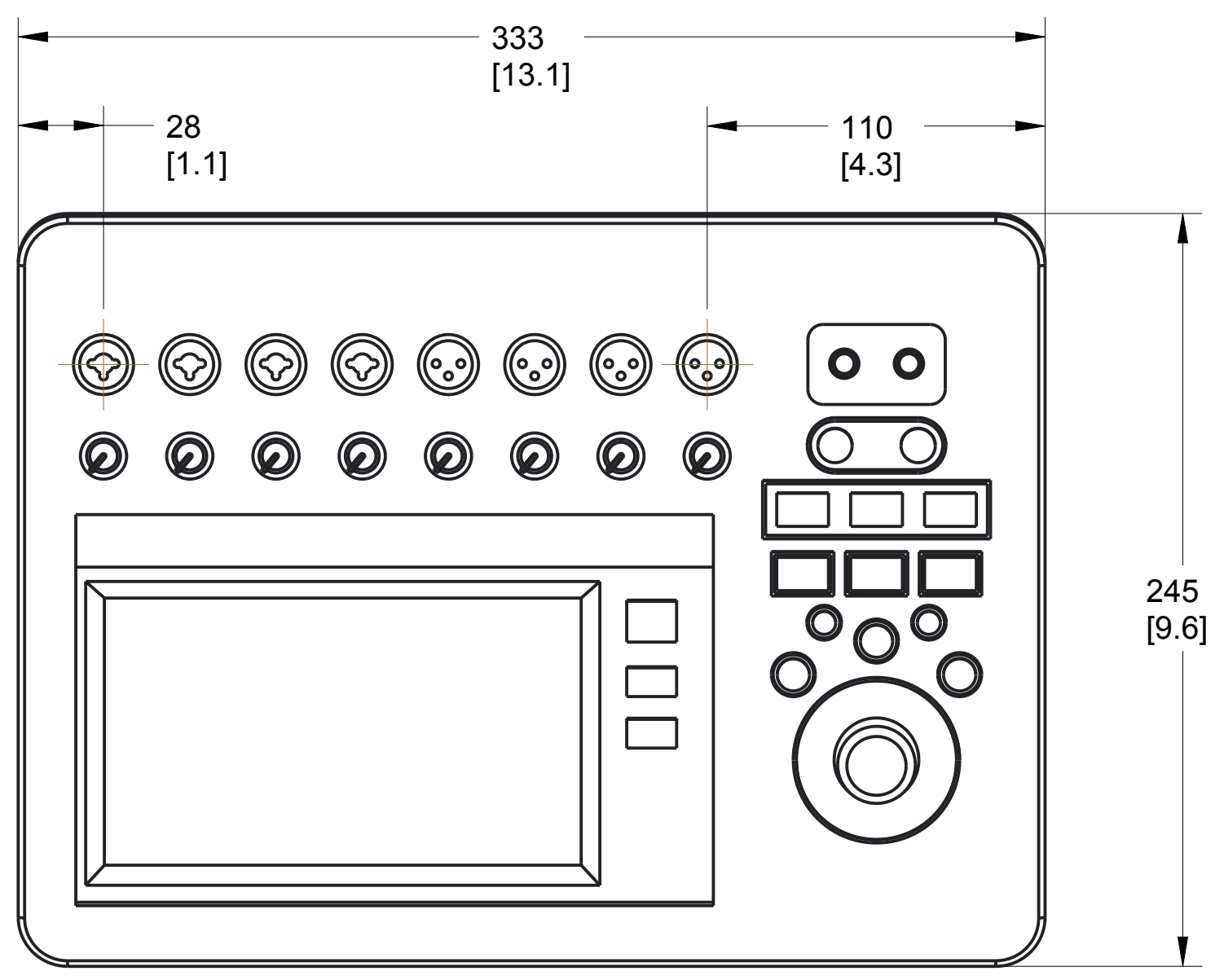
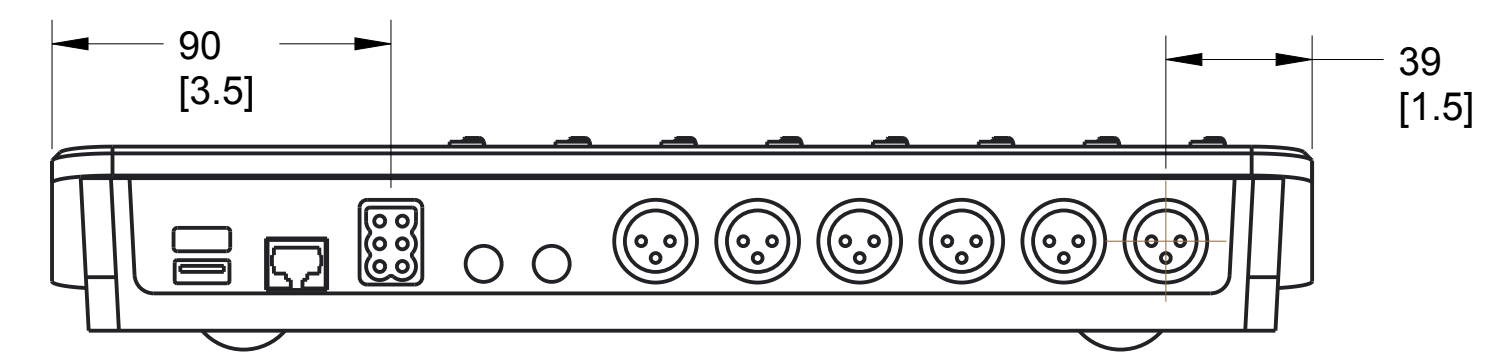


THIS DOCUMENT CONTAINS PROPRIETARY INFORMATION WHICH IS THE PROPERTY OF QSC AUDIO PRODUCTS. THAT MAY NOT BE DISCLOSED, REPRODUCED OR USED WITHOUT EXPRESS WRITTEN CONSENT FROM QSC AUDIO PRODUCTS.

REVISIONS			
REV	DESCRIPTION	BY	DATE
A	RELEASE FOR SALES AND MARKETING	SS	20-MAR-15



TOUCHMIX 8



2. TOLERANCES (MM): X ± 3, ANGLES: ± 1°.
 1. NET WEIGHT APPROX. 1.95 KG (4.3 LBS)

NOTE: UNLESS OTHERWISE SPECIFIED

UNLESS OTHERWISE SPECIFIED DIMENSIONS IN INCHES (MM) TOLERANCES ARE: DECIMALS DECIMALS ANGLES XX±.02(5) XXX±.010(25) ± 1/2 DEBURR EDGES .010 [25] R MAX	APPROVALS	DATE (DD-MMM-YY)	QSC AUDIO PRODUCTS, LLC 1675 MACARTHUR BOULEVARD COSTA MESA, CA 92626	CHASSIS ASSY, MIXER TOUCHMIX-8				
	DRAWN	20-MAR-15						
	CHECKED	20-MAR-15						
	MFG ENG	-						
MATERIAL	-	-	QA CHECK	-	SIZE	CAGE CODE	DRAWING NO.	REV
FINISH	-	-	-	-	D	00PW4	FG-610200-2D	A
DRAWING INFO: FG-610200-2D.1.3		SCALE: 0.500	DO NOT SCALE DRAWING		SHEET 1 OF 1			