

GENERAL

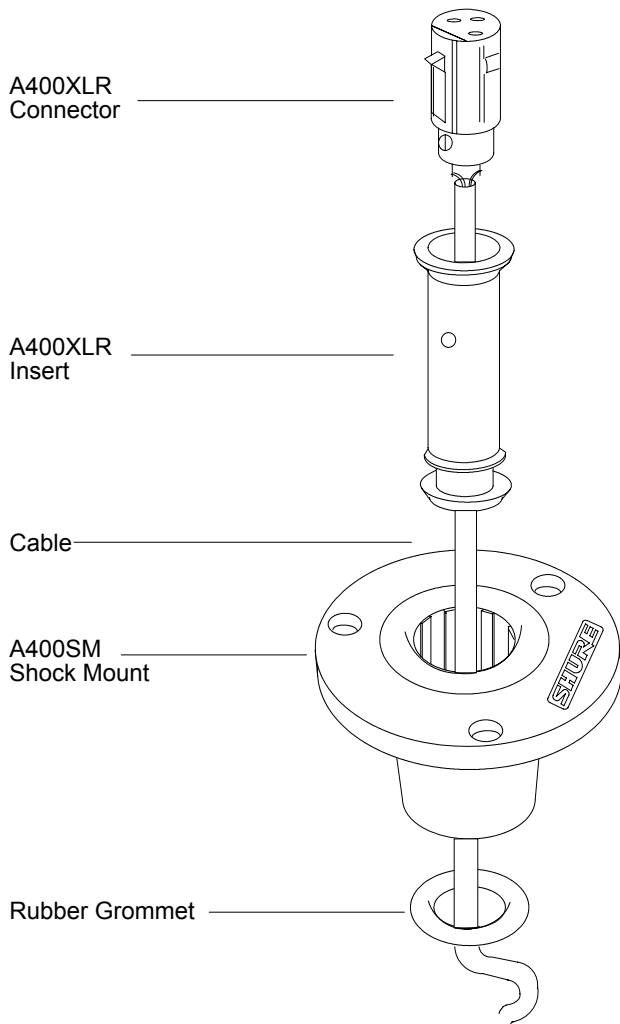
The following accessories allow you to install a shock mount for gooseneck microphones in permanent installations.

A400SM Shock Mount. Employs Shure Shock-Stopper™ construction, which reduces the transmission of impact or surface noise by up to 20 dB. Fits a variety of gooseneck microphones.

A400SMXLR. Adds the A400XLR insert and a 3-pin XLR-type (female) quick-release connector to the A400SM Shock Mount.

A400XLR. Retrofits existing A400SM shock mounts for quick release. Includes the A400XLR connector and insert.

A99SMA Adaptor. Allows you to mount the A400SM Shock Mount in holes drilled for use with the A99SM Shock Mount (up to a 2¼ inch diameter).



COMPONENTS OF THE A400SMXLR
FIGURE 1

INSTALLING THE A400SM

1. Drill a 44 mm (1 3/4 in.) hole through mounting surface.
2. Use the shock mount as a template to drill pilot holes.
3. Fasten shock mount to surface with supplied screws.

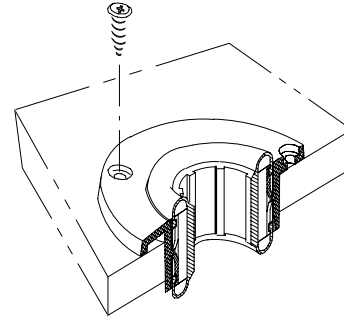
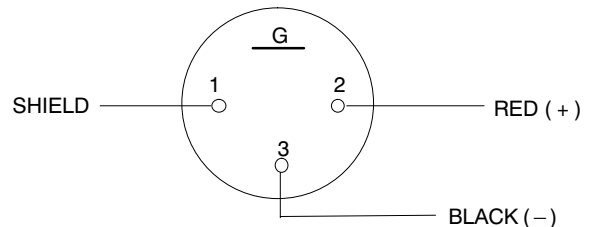


FIGURE 2

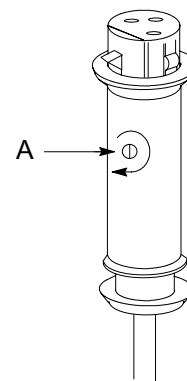
INSTALLING THE A400SMXLR

1. Thread cable through grommet, shock mount and insert.
2. Connect cable to A400XLR Connector using two-conductor shielded microphone cable (Figure 3).
3. Snap connector into insert. Extend locking screw through hole by turning screw clockwise, locking XLR connector in place (Figure 4).
4. Insert connector/insert into shock mount. Stretch grommet over lip at bottom of insert to secure insert to shock mount.

A400XLR



A400XLR CONNECTOR TERMINALS
FIGURE 3

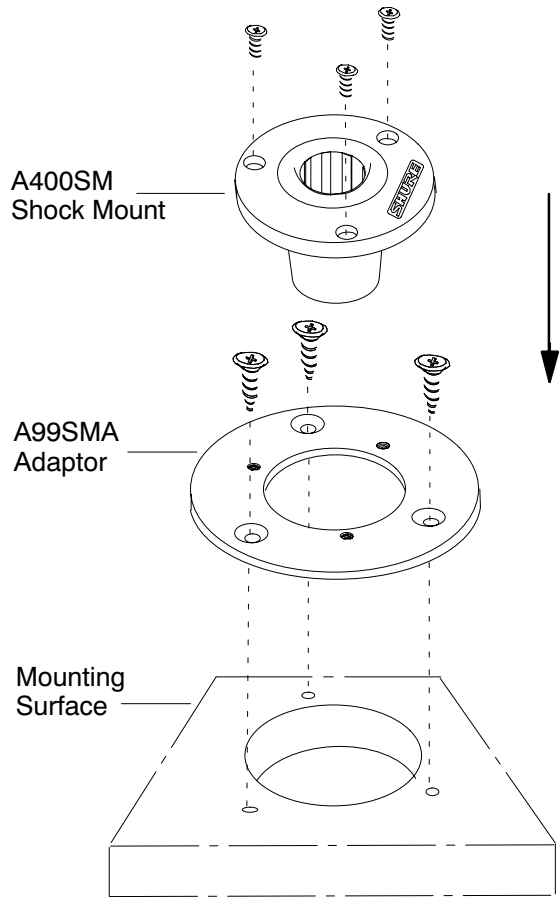


A400XLR WITH LOCKING SCREW (A)
FIGURE 4

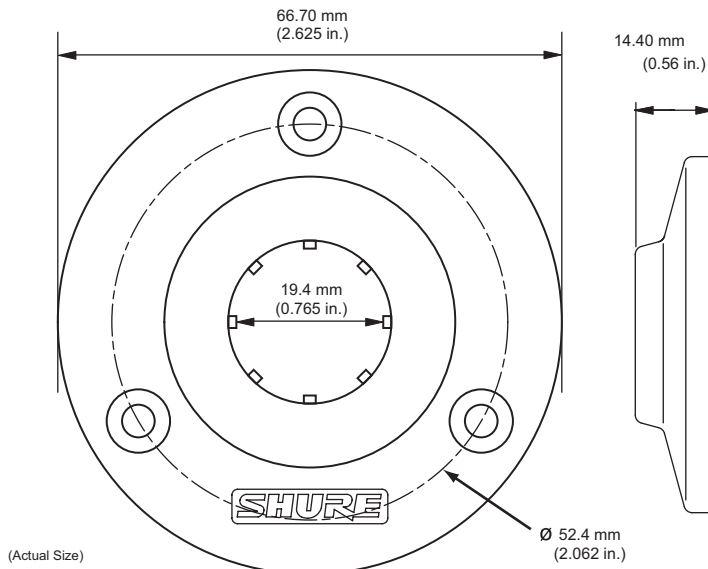


INSTALLING THE A99SMA ADAPTOR

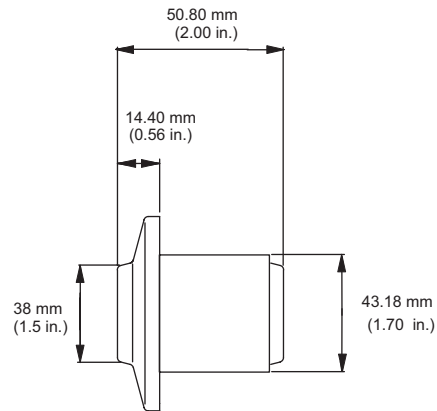
1. Remove A99SM Shock Mount from mounting surface by removing screws.
2. Attach A99SMA Shock Mount Adaptor to surface using existing screw holes and provided screws (Figure 5).
3. Insert A400SM Shock Mount into adaptor, aligning screw holes in shock mount with those in adaptor. Attach using provided screws (Figure 5).



MOUNTING THE A400SM USING THE A99SMA
FIGURE 5



MOUNTING FLANGE
BRIDE DE MONTAGE
BEFESTIGUNGSFLANSCH
BRIDA DE MONTAJE
FLANGIA DI MONTAGGIO



SHOCK MOUNT ASSEMBLY
ASSEMBLAGE DE LA MONTURE SILENT-BLOC
SCHWINGDÄMPFER-BAUGRUPPE
SOPORTE AMORTIGUADO
SUPPORTO ANTIVIBRAZIONE

SHURE®

SHURE Incorporated <http://www.shure.com>
United States, Canada, Latin America, Caribbean:
5800 W. Touhy Avenue, Niles, IL 60714-4608, U.S.A.
Phone: 847-600-2000 U.S. Fax: 847-600-1212 Intl Fax: 847-600-6446
Europe, Middle East, Africa:
Shure Europe GmbH, Phone: 49-7131-72140 Fax: 49-7131-721414
Asia, Pacific:
Shure Asia Limited, Phone: 852-2893-4290 Fax: 852-2893-4055