

Owner/Operator Manual

Manuel d'utilisation

Bedienungsanleitung

Manual de instrucciones



CAUTION

RISK OF ELECTRIC SHOCK
DO NOT OPEN



ATTENTION: RISQUE DE CHOC ELECTRIQUE - NE PAS OUVRIR

WARNING: TO REDUCE THE RISK OF FIRE OR ELECTRIC SHOCK DO NOT EXPOSE THIS EQUIPMENT TO RAIN OR MOISTURE

The symbols shown above are internationally accepted symbols that warn of potential hazards with electrical products. The lightning flash with arrowpoint in an equilateral triangle means that there are dangerous voltages present within the unit. The exclamation point in an equilateral triangle indicates that it is necessary for the user to refer to the owner's manual.

These symbols warn that there are no user serviceable parts inside the unit. Do not open the unit. Do not attempt to service the unit yourself. Refer all servicing to qualified personnel. Opening the chassis for any reason will void the manufacturer's warranty. Do not get the unit wet. If liquid is spilled on the unit, shut it off immediately and take it to a dealer for service. Disconnect the unit during storms to prevent damage.

WARNING

FOR YOUR PROTECTION, PLEASE READ THE FOLLOWING:

WATER AND MOISTURE: Appliance should not be used near water (e.g. near a bathtub, washbowl, kitchen sink, laundry tub, in a wet basement, or near a swimming pool, etc). Care should be taken so that objects do not fall and liquids are not spilled into the enclosure through openings.

POWER SOURCES: The appliance should be connected to a power supply only of the type described in the operating instructions or as marked on the appliance.

GROUNDING OR POLARIZATION: Precautions should be taken so that the grounding or polarization means of an appliance is not defeated.

POWER CORD PROTECTION: Power supply cords should be routed so that they are not likely to be walked on or pinched by items placed upon or against them, paying particular attention to cords at plugs, convenience receptacles, and the point where they exit from the appliance.

SERVICING: To reduce the risk of fire or electric shock, the user should not attempt to service the appliance beyond that described in the operating instructions. All other servicing should be referred to qualified service personnel.

FOR UNITS EQUIPPED WITH EXTERNALLY ACCESSIBLE FUSE RECEPTACLE: Replace fuse with same type and rating only.

MULTIPLE-INPUT VOLTAGE: This equipment may require the use of a different line cord, attachment plug, or both, depending on the available power source at installation. Connect this equipment only to the power source indicated on the equipment rear panel. To reduce the risk of fire or electric shock, refer servicing to qualified service personnel or equivalent.

U.K. MAINS PLUG WARNING

A moulded mains plug that has been cut off from the cord is unsafe. Discard the mains plug at a suitable disposal facility. **NEVER UNDER ANY CIRCUMSTANCES SHOULD YOU INSERT A DAMAGED OR CUT MAINS PLUG INTO A 13 AMP POWER SOCKET.** Do not use the mains plug without the fuse cover in place. Replacement fuse covers can be obtained from your local retailer. Replacement fuses are 13 amps and **MUST** be ASTA approved to BS1362.

ELECTROMAGNETIC COMPATIBILITY

This unit conforms to the Product Specifications noted on the **Declaration of Conformity**. Operation is subject to the following two conditions:

- this device may not cause harmful interference, and
- this device must accept any interference received, including interference that may cause undesired operation.

Operation of this unit within significant electromagnetic fields should be avoided.

- use only shielded interconnecting cables.

SAFETY INSTRUCTIONS

NOTICE FOR CUSTOMERS IF YOUR UNIT IS EQUIPPED WITH A POWER CORD.

WARNING: THIS APPLIANCE MUST BE EARTHED.

The cores in the mains lead are coloured in accordance with the following code:

GREEN and YELLOW - Earth BLUE - Neutral BROWN - Live

As colours of the cores in the mains lead of this appliance may not correspond with the coloured markings identifying the terminals in your plug, proceed as follows:

- The core which is coloured green and yellow must be connected to the terminal in the plug marked with the letter E, or with the earth symbol, or coloured green, or green and yellow.
- The core which is coloured blue must be connected to the terminal marked N or coloured black.
- The core which is coloured brown must be connected to the terminal marked L or coloured red.

This equipment may require the use of a different line cord, attachment plug, or both, depending on the available power source at installation. If the attachment plug needs to be changed, refer servicing to qualified service personnel who should refer to the table below. The green/yellow wire shall be connected directly to the unit's chassis.

CONDUCTOR		WIRE COLOR	
		Normal	Alt
L	LIVE	BROWN	BLACK
N	NEUTRAL	BLUE	WHITE
	EARTH GND	GREEN/YEL	GREEN

WARNING: If the ground is defeated, certain fault conditions in the unit or in the system to which it is connected can result in full line voltage between chassis and earth ground. Severe injury or death can then result if the chassis and earth ground are touched simultaneously.

DECLARATION OF CONFORMITY

Manufacturer's Name: dbx Professional Products
Manufacturer's Address: 8760 S. Sandy Parkway
Sandy, Utah 84070, USA

declares that the product: dbx 266XL
conforms to the following Product Specifications:

EMC: EN 55013 (1990)
EN 55020 (1991)
EN 60065 (1993)
Safety: IEC65 (1985) with Amendments 1, 2, 3

Supplementary Information:

The product herewith complies with the requirements of the Low Voltage Directive 73/23/EEC, and the EMC Directive 89/336/EEC (1989), as amended by directive 93/68/EEC (1993).

dbx Professional Products
Vice President of Engineering
8760 S. Sandy Parkway
Sandy, Utah 84070, USA
February 26, 1998

European Contact: Your Local dbx Sales and Service Office or
International Sales Office
68 Sheila Lane
Valparaiso, Indiana 46383, USA
Tel: (219) 462-0938
Fax: (219) 462-4596

WARRANTY

1. The warranty registration card that accompanies this product must be mailed within 30 days after purchase date to validate this warranty. Proof-of-purchase is considered to be the burden of the consumer.
2. dbx warrants this product, when bought and used solely within the U.S., to be free from defects in materials and workmanship under normal use and service.
3. dbx liability under this warranty is limited to repairing or, at our discretion, replacing defective materials that show evidence of defect, provided the product is returned to dbx WITH RETURN AUTHORIZATION from the factory, where all parts and labor will be covered up to a period of two years. A Return Authorization number must be obtained from dbx by telephone. The company shall not be liable for any consequential damage as a result of the product's use in any circuit or assembly.
4. dbx reserves the right to make changes in design or make additions to or improvements upon this product without incurring any obligation to install the same additions or improvements on products previously manufactured.
5. The foregoing is in lieu of all other warranties, expressed or implied, and dbx neither assumes nor authorizes any person to assume on its behalf any obligation or liability in connection with the sale of this product. In no event shall dbx or its dealers be liable for special or consequential damages or from any delay in the performance of this warranty due to causes beyond their control.

266XL Compressor / Gate

MANUAL CONTENTS

ENGLISH	2
FRANÇAIS	9
DEUTSCH	19
ESPAÑOL	29

ENGLISH CONTENTS

INTRODUCTION	2
OPERATING CONTROLS	3
COMPRESSOR SECTION	4
EXPANDER/GATE SECTION	5
CONNECTING THE 266XL TO YOUR SYSTEM	7
TECHNICAL SUPPORT / FACTORY SERVICE	8
REGISTRATION AND USER FEEDBACK	8
SPECIFICATIONS	39
BLOCK DIAGRAM	41

Congratulations on choosing the dbx 266XL Compressor/Gate. The 266XL provides traditional dbx sonic quality and performance for the working musician, DJ, studio operator or anyone who needs a friendly compressor/gate to achieve quality compression, gating and downward expansion quickly and easily. We recommend that you take a moment and read through the manual as it provides information that will assist you in using your unit to its fullest potential.

The 266XL's compressor is packed with just the right features to effectively reduce and control the dynamic range of your audio, add punch to flabby, loose sounds, or add sustain to instruments. The 266XL begins with the classic dbx compression made famous by our 160 line of compressors. Just set the 266XL's Attack and Release controls to 12:00 to get the same response as those units. But there's more. We scaled the program-dependent Attack and Release controls with dbx's new AutoDynamic™ circuitry, so that the 266XL's full range of controls produce voicings that extend from slow leveling to aggressive peak limiting.

Common Compressor Applications:

- Fattening a Kick Drum or Snare Drum
- Adding Sustain to Guitar or Synthesizer String Sounds
- Smoothing Out a Vocal Performance
- Raising a Signal Out of a Mix
- Preventing Sound System Overload
- Digital to Analog Transfers

The 266XL's gate is ready to tackle all your gating needs, whether you need to remove unwanted noise or other background sounds, tighten drum sounds, or change the characteristic envelope of an instrument. The 266XL's gate provides more flexibility than traditional switch gates because it actually functions as a combination gate/expander. Where switch gates are generally only suitable for a limited number of uses (e.g., gating percussion), the gate on the 266XL acts as a gentle downward expander at low Ratio settings (suitable for vocals, guitar, mixed program, etc.), and can effectively work as a switch gate when used at high Ratio settings.

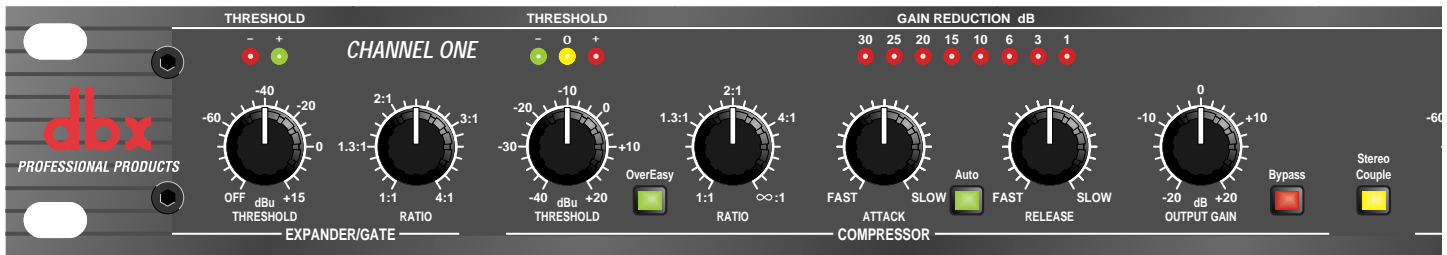
Common Gating Applications:

- Gating Dry Percussive Sounds (e.g., Snare Drum, Kick Drum)
- Gating Sounds That Have Longer Decay (e.g., Cymbal, Piano)
- Gating Hum or Buzz From Live Instruments or Recorded Tracks
- Downward Expansion to Reduce Noise Under Smooth Sounds (e.g., Vocals, Woodwinds)

Refer to the following pages for suggested initial settings. These settings should suffice for traditional compressing and gating requirements. However, the 266XL can accomplish many more changes to sound quality. We recommend that you experiment with the 266XL's controls; take our suggested settings and run with them, try totally different settings, and try unorthodox combinations of compressor and gating controls. You might be surprised at what you hear. Best of all, you may create the perfect sound quality for your needs.

266XL Compressor / Gate

OPERATING CONTROLS



Front Panel

STEREO COUPLE Switch and LED

This switch sets the 266XL for Stereo or Dual Mono operation. Press the STEREO COUPLE switch in for stereo operation where Channel 1 becomes the master controller for both channels. All of Channel 2's controls, switches, and LEDs will be disabled (except for Channel 2's GAIN REDUCTION meter), since Channel 2 is the slave.

With the STEREO COUPLE switch out, the unit functions as two separate mono compressor/gates, each with its own independent controls.

The red STEREO COUPLE LED indicates that the 266XL is stereo-coupled.

BYPASS Switch and LED

Press this switch in to bypass the front panel controls, effectively canceling the function and processing effect of the 266XL's compression, gating and gain settings. The input signal is still present at the 266XL's Output, but is now unaltered by the 266XL's controls. BYPASS is especially useful for making comparisons between processed and unprocessed signals. Note that with stereo operation (STEREO COUPLE switch pressed in), the Channel 1 BYPASS switch controls both channels.

The red BYPASS LED lights when BYPASS is active.

GAIN REDUCTION (dB) Meter

This meter displays the amount of signal attenuated from the input signal by the 266XL's Compressor or Expander/Gate. When the Compressor and Expander/Gate are both active, the meter displays the maximum amount of gain reduction for whichever function is greater - Compressor or Expander/Gate.

OUTPUT GAIN (dB) Control:

This control sets the overall gain of the 266XL, from -20dB to +20dB. The OUTPUT GAIN control is especially useful to compensate for the RMS level decrease which results from the 266XL's dynamic processing effects. After you adjust the 266XL's controls for the desired amount of compression, set the OUTPUT GAIN to add the same amount of gain that is shown on the GAIN REDUCTION meters. For example, if the average amount of gain reduction shown on the meters is 10dB, then setting the OUTPUT GAIN control to +10dB will compensate for the 10dB average level reduction at the output.

Note: the 266XL's Compressor and Expander/Gate control settings are interactive and can affect gain, so watch your playback levels.

COMPRESSOR SECTION

Note: Setting the Compressor RATIO to 1:1 will turn the Compressor off, regardless of the setting of the Compressor THRESHOLD control and BELOW/OVEREASY/ABOVE LED status. Setting the Compressor THRESHOLD control to +20dB will prevent all but the highest level peaks from being compressed.

OVEREASY® Switch

Depress this switch to select the OverEasy® compression characteristic. The yellow THRESHOLD LED turns on when the signal is in the OverEasy region. When the switch is out, the 266XL operates as a hard-knee compressor, and the yellow LED does not light.

Compressor THRESHOLD Control and LEDs (BELOW/OVEREASY/ABOVE):

Adjust this control to set the threshold of compression from -40dB to +20dB. In hard-knee mode, the threshold of compression is defined as the point above which the output level no longer changes on a 1:1 basis with changes in the input level.

In OverEasy mode the threshold of compression is defined as the middle of the OverEasy threshold region, that is, “half-way” into compression.

The three THRESHOLD LEDs indicate the relationship of the input signal level to the threshold of compression. The green LED lights when the signal is BELOW threshold, the red LED lights when the signal is above threshold, and the yellow LED lights when the OVEREASY switch is depressed and the input signal is in the OVEREASY range.

The 266XL's OverEasy compression permits extremely smooth, natural sounding compression, without artifacts, due to the gradual change of compression around the threshold. With OverEasy compression, input signals begin to gradually activate the 266XL's internal gain change circuitry as they approach the THRESHOLD reference level. They do not get fully processed by the RATIO, ATTACK and RELEASE controls until they have passed somewhat above the THRESHOLD reference level. As the signal level passes the THRESHOLD level, processing increases until it is fully processed to the extent determined by the control settings.

In hard-knee mode, the 266XL can provide abrupt compression effects as well as hard-limiting applications. Note that when in hard knee mode the yellow LED will not light as the input signal passes across the threshold. The signal is either being compressed (over threshold) or it is not being compressed (under threshold).

Note: Even though no input signal is being applied, it is normal for the LEDs to flicker on when the power is applied or removed.

Compressor RATIO Control:

Adjust this control to set the amount of compression applied to the input signal. Clockwise rotation of this control increases the compression ratio from 1:1 (no compression) up to ∞ :1 (where the compressor can be considered to be a peak limiter, especially with faster ATTACK settings).

266XL Compressor / Gate

When an input is above the THRESHOLD setting reference level, the RATIO setting determines the number of decibels by which the input signal must increase in level to produce a 1dB increase in the signal level at the output of the 266XL. A setting of 2:1 indicates an input/output ratio wherein a 2dB increase in signal (above threshold) will produce a 1dB increase in output signal. A setting of ∞ :1 indicates that an infinite increase in input level would be required to raise the output level by 1dB.

Compressor ATTACK and RELEASE Control:

The ATTACK control sets the amount of time it takes the 266XL to begin compressing a signal once the detector has sensed a signal above threshold. The ATTACK range is from FAST (for a tighter and more noticeable compression effect with very little overshoot) to SLOW (for more delayed, gradual compression). A very fast ATTACK setting will cause the 266XL to act like a peak limiter even though RMS detection circuitry is used. Slower ATTACK settings cause the 266XL to act like an RMS or averaging detecting compressor/limiter.

The RELEASE control sets how fast the compression circuit returns the input to its original level. The RELEASE rate is from FAST (where compression follows the envelope of the program material very tightly) to SLOW (for very smooth compression).

There is no absolute *right* way to set the ATTACK and RELEASE controls. However, in general, you will want them set slow enough to avoid pumping or breathing sounds caused when background sounds are audibly modulated by the dominant signal energy, yet the release must be fast enough to avoid suppression of the desired signal after a sudden transient or loud note has decayed. For low frequency tones (e.g., bass guitar), set RELEASE and ATTACK to 2:00 or slower.

Note: ATTACK and RELEASE controls operate together and in conjunction with the RATIO control. Changing one control may necessitate changing another setting.

Auto Switch:

This switch overrides both the ATTACK and RELEASE controls and enables preset program-dependent attack and release times. These times are derived from the input signal and continuously change to match its dynamics. Enabling this AUTO Function duplicates the “classic dbx sound” of the 266XL’s forerunners which have become standards in the industry.

EXPANDER/GATE SECTION

Note: The Expander/Gate is off when the Expander/Gate THRESHOLD is set to OFF.

Expander/Gate THRESHOLD Control and LEDs (BELOW/ABOVE):

Adjusting this control sets the level at which the gate will open and allow the signal at the input to pass through to the output. Turning the knob fully counterclockwise (to OFF) allows the gate to pass all signals unattenuated, effectively bypassing the gate. Turning the knob fully clockwise causes the gate to attenuate input signals below +15dBu. The depth of attenuation depends on the setting of the Expander/Gate RATIO control.

The two Expander/Gate LEDs indicate the relationship of the input signal level to the threshold setting. The red LED lights when the signal is BELOW threshold, the green LED lights when the signal is ABOVE threshold.

Expander/Gate RATIO Control:

This control sets the amount of attenuation applied to the input signal once it is below the threshold, from gentle downward expansion (appropriate for mixed program, vocals, etc.), to a hard gating effect (which can be useful for percussion). Fairly low RATIO (and higher Expander/Gate THRESHOLD) settings work best for downward expansion, whereas higher RATIO settings (clockwise towards MAX) work best for gating. If a setting produces undesirable pumping, readjust the Expander/Gate RATIO or THRESHOLD setting.

Note: The attack and release rate of the Expander/Gate are program-dependent - very fast for transient material (e.g., percussion) and slower for material with slow attack (e.g., vocals).

Note: Fast gating of sustained low frequency signals can result in "chattering". To eliminate any "chattering" simply adjust the RATIO control. The proper THRESHOLD setting will also minimize false triggering and "chattering."

**INPUT Jacks (CHANNEL 1 and 2):**

Use 1/4" phone plugs or male XLR plugs to connect these inputs to your source. The 266XL's INPUT jacks accept either balanced or unbalanced signals. Input impedance is $>40k\Omega$.

Rear Panel**OUTPUT Jacks (CHANNEL 1 and 2):**

The OUTPUT jacks accept 1/4" balanced or unbalanced phone plugs or female XLR plugs. Maximum output signal level is $>+20\text{dBu}$. In the $+4\text{dBu}$ setting, the balanced output impedance is 100Ω , and the unbalanced output impedance is 50Ω . In the -10dBV setting, the balanced output impedance is $1k\Omega$ and the unbalanced output impedance is 500Ω .

OPERATING LEVEL Switch

This switch selects between a -10dBV and $+4\text{dBu}$ nominal operating level. When the switch is in the IN position, a -10dBV operating level is selected. When it is in the OUT position, a $+4\text{dBu}$ operating level is selected. Note that the switch is slightly recessed. This is to provide protection against accidental activation, possibly causing damage to other system components due to a sudden change in gain.

SIDECHAIN INSERT Jack:

This jack accepts 1/4" TRS phone plugs and provides a connection to the 266XL detector path. The RING acts as a Send, carrying a buffered version of the signal present at the 266XL INPUT jack, at an impedance of $2k\Omega$. The TIP acts as a Return for equipment to feed the 266XL's detector circuitry, such as an equalizer for de-essing or frequency-sensitive gating/compression. You can also drive the 266XL Sidechain input with the output of most equipment, by using a 1/4" mono phone plug. Input Impedance is greater than $10k\Omega$.

Note: When a cable is plugged into this jack, it automatically breaks the connection from the INPUT jack to the 266XL's detection circuitry.

266XL Compressor / Gate

IEC - AC Power cord receptacle

Plug the AC power cord (supplied) into the 266XL. Plug the other end into a standard wall receptacle. Take care to route power cables away from audio lines. Note that the 266XL does not have a power switch. It is recommended that the 266XL be “On” at all times. Power consumption is low. If you do not plan to use the 266XL for an extended period of time, unplug it.



WARNING: Be sure to verify your actual line voltage is the same as the voltage level printed below the AC power receptacle. Connection to an inappropriate power source may result in extensive damage which is not covered by the warranty.



Caution: Never remove the cover. There are no user-serviceable parts inside.

CONNECTING THE 266XL TO YOUR SYSTEM

The 266XL can be used with any line-level device. Some common examples include mixing consoles, electronic musical instruments, patch bays, and signal processors. For all connections, refer to the following steps:

Turn Off all equipment before making any connections.

Mount the 266XL in a 1U rack space (optional).

The 266XL requires one rack space (height) and 1 rack space (width). It can be mounted above or below anything that doesn't generate excessive heat, since it requires no special ventilation. Ambient temperatures should not exceed 113°F (45°C) when equipment is powered.

Make connections via 1/4" phone or XLR jacks according to your requirements.

Typical patch points include: a mixer's channel or subgroup inserts when using the 266XL on individual instruments or tracks; the mixer's main outputs when mixing; an instrument preamp's effects loop when using the 266XL for guitar or bass; main outs of a submixer (i.e., keyboard mixer) as the signal is sent to main mixer; between a DAT's output and an analog cassette input. When using a chain of processors, the 266XL may be placed either before or after effects or dynamics processors. We recommend you use common sense and experiment with different setups to see which one provides the best results for your needs.

Connect the AC power cord (shipped with the unit) to the 266XL's rear panel POWER connector and an appropriate AC power source to turn the unit ON.

TECHNICAL SUPPORT AND FACTORY SERVICE

The 266XL is an all-solid-state product with components chosen for high performance and excellent reliability. Each 266XL is tested, burned-in and calibrated at the factory and should require no internal adjustment of any type throughout the life of the unit. We recommend that your 266XL be returned to the factory only after referring to the manual and consulting with dbx Customer Service.

Our phone number, Fax number and address are listed on the back cover of this manual.

When you contact dbx Customer Service, be prepared to accurately describe the problem. Know the serial number of your unit. This is printed on a sticker attached to the side panel of the unit.

Note: Please refer to the terms of your Limited Two-Year Standard Warranty, which extends to the first end-user. After the warranty expires, a reasonable charge will be made for parts, labor, and packing if you choose to use the factory service facility. In all cases, you are responsible for shipping charges to the factory. dbx will pay return shipping if the unit is still under warranty.

Shipping Instructions: Use the original packing material if it is available. Mark the package with the name of the shipper, and with these words in red: DELICATE INSTRUMENT, FRAGILE! Insure the package properly. Ship prepaid, not collect. Do not ship parcel post.

REGISTRATION CARD AND USER FEEDBACK

We appreciate your feedback. After you have an opportunity to use your new 266XL, please complete the Registration Card and return it.

FRANÇAIS



CAUTION

RISK OF ELECTRIC SHOCK
DO NOT OPEN



ATTENTION: RISQUE DE CHOC ELECTRIQUE - NE PAS OUVRIR

WARNING: TO REDUCE THE RISK OF FIRE OR ELECTRIC SHOCK DO NOT EXPOSE THIS EQUIPMENT TO RAIN OR MOISTURE

Les symboles montrés ci-dessus sont internationaux et concernent les appareils électriques. Le symbole de gauche vous avertit de la présence d'une tension dangereuse, suffisante pour provoquer un choc électrique. Le symbole de droite vous avertit que les instructions de fonctionnement sont importantes. Prenez soin de lire le manuel.

Ces symboles indiquent qu'aucune pièce n'est accessible à l'intérieur de l'appareil. Ne pas ouvrir l'appareil. Ne pas essayer de dépanner. S'adresser à un technicien qualifié. L'ouverture de l'appareil sans raison annulera la garantie constructeur. Ne pas mouiller l'appareil. Si un liquide est renversé dessus, éteindre immédiatement l'appareil et le porter chez le distributeur pour dépannage. Débrancher l'appareil en cas d'orage pour éviter des dommages.

ATTENTION

POUR VOTRE PROTECTION, LISEZ CE QUI SUIT :

EAU ET MOISSURE : L'appareil ne doit pas être utilisé près d'une source d'eau (par exemple près d'une baignoire, cuvette, évier, dans un sous-sol humide, ou près d'une piscine, etc.). Faire attention à ce qu'aucun objet ou liquide ne pénètre dans l'appareil par certaines ouvertures.

ALIMENTATION : Veiller à respecter la tension secteur correspondante.

MASSE ET POLARITE : Prendre soin de respecter la polarité et la mise à la masse.

CORDON SECTEUR : Le cordon secteur doit être placé de manière à éviter d'être coincé par d'autres appareils et qu'on ne puisse pas marcher dessus, vérifier bien le cordon à son embase et à sa prise.

DEPANNAGE : Pour éviter le risque d'incendie et de choc électrique, l'utilisateur ne doit pas tenter de dépanner l'appareil en dehors des instructions indiquées dans le manuel d'utilisation. En cas de panne, s'adresser à un technicien qualifié.

POUR LES APPAREILS EQUIPES D'UN FUSIBLE ACCESSIBLE DE L'EXTERIEUR : Remplacer le fusible par un fusible de même type et de même valeur.

COMPATIBILITE ELECTROMAGNETIQUE

L'appareil est conforme aux normes indiquées sur la Déclaration de conformité.

- cet appareil ne provoquera pas de parasites nuisibles
- cet appareil supporte tout parasite, même un parasite qui pourrait causer un dysfonctionnement. L'utilisation de cet appareil dans un champ électromagnétique important doit être évité.

INSTRUCTIONS DE SECURITE

NOTE CONCERNANT LES APPAREILS MUNIS D'UN CORDON SECTEUR

ATTENTION : L'APPAREIL DOIT ETRE RELIE A LA TERRE

Les conducteurs du câble secteur sont identifiés comme suit :

Vert/Jaune	Terre
Bleu	Neutre
Brun	Phase

Si la couleur des conducteurs du câble secteur de cet appareil ne correspond pas à la couleur des conducteurs de la prise, procéder comme suit :

- Le conducteur vert/jaune doit être relié au fil vert ou vert/jaune ou marqué avec la lettre E, ou avec le symbole Terre.
- Le conducteur bleu doit être relié au fil noir ou marqué avec la lettre N.
- Le conducteur brun doit être relié au fil rouge ou marqué avec la lettre L.

CONDUCTEUR	COULEUR		
		NORMAL	AUTRE
L	PHASE	BRUN	NOIR
N	NEUTRE	BLEU	BLANC
⊥	TERRE	JAUNE/VERT	VERT

ATTENTION : Si la mise à la terre est absente, certains problèmes peuvent apparaître dans l'appareil ou le système auquel il est connecté en cas de tension importante entre le châssis et la terre. De sérieux risques de blessures graves et même de mort existent en cas de contact simultané de la masse châssis et de la terre.

DECLARATION DE CONFORMITE

Nom fabricant: dbx Professional Products
Adresse fabricant: 8760 S. Sandy Parkway
Sandy, Utah 84070, USA

declare que le produit

dbx 266XL

est conforme aux spécifications suivantes :

Safety: EN 60065 (1993)
IEC65 (1985) avec Amendements 1, 2, 3

EMC: EN 55013 (1990)
EN 55020 (1991)

Informations complémentaires :

Le produit est conforme aux directives 73/23/EEC et 89/336/EEC modifié par la Directive 93/68/EEC.

dbx Professional Products
President of dbx
8760 S. Sandy Parkway
Sandy, Utah 84070, USA
February 26, 1998

Contactez votre distributeur

International Sales Office
68 Sheila Lane
Valparaiso, Indiana
46383, USA
Tel: (219) 462-0938
Fax: (219) 462-4596

TABLE DES MATIERES

INTRODUCTION	12
DESCRIPTION DES CONTROLES	13
SECTION COMPRESSEUR	14
SECTION EXPANSEUR/GATE	15
CONNEXION DU 266XL A VOTRE SYSTEME	17
SUPPORT TECHNIQUE/APRÈS-VENTE	17
ENREGISTREMENT	18
SPECIFICATIONS	39
SYNOPTIQUE	41

Nous vous remercions de votre choix du compresseur/Gate dbx 266XL. Le 266XL offre la qualité de son et les performances des appareils dbx pour les musiciens, DJ, opérateurs studio et toute personne à la recherche d'un appareil simple permettant une compression, un Gate ou une expansion de qualité, rapide et facile. Nous vous recommandons de lire ce manuel car il vous permettra d'utiliser au mieux votre appareil. Le compresseur 266XL possède toutes les caractéristiques pour contrôler la dynamique d'un signal, ajouter du punch, diminuer le bruit ou ajouter du "sustain" à certains instruments. Le 266XL commence avec la classique compression dbx déjà connue avec les compresseurs de la série 160, il suffit de régler les temps d'attaque et de relâchement à mi-course pour obtenir un fonctionnement identique. Mais il peut faire mieux. Les temps d'attaque et de relâchement réglables ainsi que le nouveau circuit dbx AutoDynamic, permettent d'élargir la plage de contrôle du 266XL.

Applications courantes de la compression :

- Renforcer le son d'une batterie
- Ajouter du "sustain" à une guitare ou un synthétiseur
- Atténuer les différences de niveau des voix
- Prélever un signal
- Éviter une surcharge du système
- Optimiser la dynamique lors du transfert numérique vers analogique.

Le Gate du 266XL permet d'oter des bruits indésirables, de renforcer les sons de batterie ou de modifier l'enveloppe d'un instrument. Le Gate du 266XL est plus polyvalent que les Gates traditionnels car il combine deux fonctions Gate et expanseur. Les Gates ne conviennent que pour un nombre limité d'utilisations (par exemple percussion), le Gate du 266XL fonctionne comme un expanseur lorsqu'il est réglé sur des taux de compression bas (convenant pour les voix, guitares, programmes mixés, etc.) et peut travailler comme un Gate traditionnel lorsqu'il est réglé sur des taux de compression élevés.

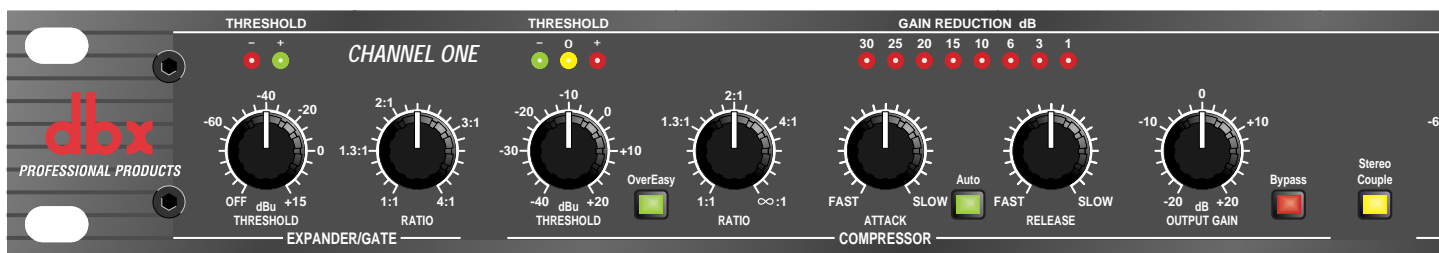
Applications courantes du Gate :

- Traitement d'un son de percussion sec (par exemple, grosse caisse, batterie)
- Traitement d'un son décroissant (par exemple, cymbales, piano)
- Traitement des ronflements et bruits d'instruments en sonorisation ou en enregistrement
- Expansion pour réduire les bruits résiduels sur des sons doux (par exemple, voix, bois)

Référez-vous aux pages suivantes pour les réglages initiaux conseillés. Ces réglages conviendront pour une compression traditionnelle et les besoins de Gate courants. Toutefois, le 266XL peut intervenir de façon importante sur la qualité d'un son. Nous recommandons d'expérimenter les contrôles du 266XL ; travaillez avec les réglages proposés et essayez en d'autres complètement différents, avec toutes les combinaisons du compresseur et du Gate. Vous serez surpris par ce que vous entendrez mais en final, vous pourrez trouver la combinaison parfaite pour vos besoins.

266XL Compressor / Gate

CONTRÔLES



Face avant

Touche et Led STEREO COUPLE :

Cette touche configure le 266XL pour un fonctionnement stéréo ou double mono. Si l'on appuie sur la touche pour un fonctionnement stéréo, la voie 1 devient Voie Maître pour les deux voies. Tant que la voie 2 sera esclave, les contrôles de cette voie, touche et Led, seront inopérants (sauf l'afficheur de réduction du gain).

Si la touche STEREO COUPLE est relâchée, l'appareil fonctionnera comme deux compresseurs/Gates séparés, chacun avec ses propres contrôles indépendants.

La Led rouge STEREO COUPLE indique que le 266XL est en mode stéréo.

Touche et Led BYPASS :

Lorsqu'on enfonce cette touche, les contrôles sont bypassés, annulant toutes les fonctions de compression, de Gate, et de réglage de gain du 266XL. Le signal est toujours présent en sortie du 266XL, mais n'est pas affecté par les contrôles du 266XL. La fonction BYPASS est particulièrement utile pour comparer un signal traité et non traité. Notez que si l'appareil est commuté en mode Stéréo (touche STEREO COUPLE appuyée), la touche BYPASS de la voie 1 contrôle les deux voies.

La Led BYPASS s'illumine en rouge lorsque la fonction BYPASS est active (pas de traitement du signal).

Afficheur GAIN REDUCTION (dB) :

Il affiche l'atténuation effectuée sur le signal d'entrée par le compresseur ou l'Expanseur/Gate 266XL. Lorsque le compresseur et l'expanseur/Gate sont tous les deux actifs, l'afficheur indique le montant maximum de la réduction de gain pour la fonction dominante - compresseur ou Expanseur/Gate.

OUTPUT GAIN (dB) :

Ce contrôle règle le gain général du 266XL de -20dB à +20dB. Le contrôle du gain de sortie est particulièrement utile pour compenser la baisse de niveau résultant des effets du traitement. Après avoir réglé le 266XL selon la compression désirée, utilisez ce contrôle pour augmenter le gain de la valeur indiquée sur l'afficheur GAIN REDUCTION.

Note: Les réglages du compresseur et Expanseur/gate sont interactifs et peuvent affecter le gain - vérifiez les niveaux de sortie.

Note: Un taux de compression de 1:1 mettra le compresseur hors service, quels que soient le réglage de seuil et l'état des Leds BELOW/OVEREASY/ABOVE. Un réglage du seuil de compression à +20dB empêchera toute compression sauf des crêtes de niveau très important.

Touche OVEREASY®

Enfoncer cette touche pour sélectionner la compression OverEasy®. La Led jaune s'allume lorsque le signal est en mode compression OverEasy. Lorsque la touche est relâchée, le 266XL effectue une compression en mode hard-knee et la Led jaune n'est pas allumée.

Seuil de compression (THRESHOLD) et LEDs (BELOW/OVEREASY/ABOVE) :

Ce bouton règle le seuil de compression de -40dB à +20dB. En mode hard-knee, le seuil de compression est le point au-dessus duquel le rapport entre le niveau de sortie et celui d'entrée cesse d'être constant.

En mode OverEasy, le seuil de compression est au milieu de la courbe OverEasy, soit à mi-chemin de la compression.

Les trois Leds indiquent la position du signal d'entrée par rapport au seuil de compression. La Led verte s'allume lorsque le signal est au-dessous du seuil, la Led rouge s'allume lorsque le signal est au-dessus du seuil, et la led ambre lorsque le signal est dans la fenêtre du circuit OVEREASY.

La compression OverEasy du 266XL permet une compression extrêmement douce et naturelle, sans artifice, du fait d'une compression progressive à l'approche du seuil (plutôt qu'une compression soudaine comme sur les compresseurs Hard Knee (à coude abrupt). Avec la compression OverEasy, lorsqu'un signal approche du seuil (THRESHOLD), il commence à activer progressivement le circuit de changement de gain du 266XL. Le traitement déterminé par les réglages de taux (RATIO) et des temps d'attaque et de relâchement ne commence que lorsque le niveau signal passe au-dessus du seuil ; le traitement s'accroît ensuite pour atteindre les valeurs déterminées par les contrôles.

En mode Hard-Knee, le 266XL peut provoquer une compression abrupte ainsi qu'une forte limitation. Notez qu'en mode Hard-Knee, lorsqu'un signal d'entrée passe au niveau du seuil la Led jaune ne s'allume pas. Le signal est compressé (au-dessus du seuil) ou non compressé (au-dessous du seuil).

Note : Même si aucun signal d'entrée n'est présent, il est normal que les Leds s'allument brièvement lors de la mise en/hors service de l'appareil.

Bouton RATIO du compresseur :

Il règle le taux de compression appliqué au signal. Une rotation dans le sens des aiguilles d'une montre porte le taux de compression de 1:1 (pas de compression) à ∞ :1 (où le compresseur sera considéré comme un limiteur de crête, en particulier avec des temps d'attaque rapides).

Lorsque le signal est au-dessus du seuil, le bouton **RATIO** détermine l'augmentation du niveau d'entrée nécessaire pour obtenir un niveau de sortie accru de 1dB. Un taux de 2:1 indique que pour une augmentation de niveau de 2dB (au-dessus du seuil), le niveau de sortie augmentera seulement de 1dB. Un taux de 2:1 indique qu'une augmentation infinie serait nécessaire pour augmenter le niveau de sortie de 1dB.

Réglage des TEMPS D'ATTAQUE et de RELACHEMENT :

Le bouton **ATTACK** règle le temps nécessaire au 266XL pour débiter la compression lorsque le niveau du signal dépasse le seuil. Le réglage varie de rapide (**FAST**) pour une compression forte et avec peu de dépassement, à lente (**SLOW**), pour une compression progressive. Avec un temps d'attaque très rapide, le 266XL agit comme un limiteur de crête (bien qu'un circuit de détection de Valeur Efficace soit utilisé). Avec un temps d'attaque lent, le 266XL agit comme un compresseur/limiteur détecteur de valeur efficace ou moyenne.

Le bouton **RELEASE** permet de régler la vitesse à laquelle le signal retrouve son niveau d'origine. Le réglage varie de rapide (la compression suit de très près le programme), à lent (pour une compression très douce).

Il n'existe pas de règle absolue pour régler ces temps d'attaque et de relâchement. Toutefois, en règle générale, vous les réglerez suffisamment lents pour éviter l'effet de "pompage" ou d'"aspiration" sur le son lorsque les bruits de fond sont modulés par l'énergie dominante du signal. Le temps de relâchement doit être suffisamment rapide pour éviter la suppression du signal après un transitoire ou un signal de forte amplitude. Pour des fréquences graves (guitare basse par exemple), réglez les temps d'attaque et de relâchement à 2:00 ou plus lent.

*Note : Les contrôles des temps d'attaque et de relâchement fonctionnent ensemble et conjointement avec le contrôle **RATIO**. La modification de l'un de ces réglages peut nécessiter la modification des autres.*

Touche AUTOMATIQUE:

Cette touche prend le pas sur les commandes d'ATTAQUE et de RELACHEMENT et active des temps d'attaque et de relâchement dépendants du programme. Ces temps sont dérivés du signal d'entrée et changent continûment pour adapter sa dynamique. Activer cette fonction **AUTOMATIQUE** reproduit le «son classique **dbx**» des précurseurs du 1066 qui sont devenus des standards de l'industrie.

SECTION EXPANSEUR/GATE

*Note : L'Expanseur/Gate est inactif lorsque le bouton **THRESHOLD** est réglé sur **OFF**.*

Bouton THRESHOLD et Leds (BELOW/ABOVE) de l'expanseur/Gate :

Ce bouton permet de régler le niveau auquel le Gate laissera passer le signal. Si l'on tourne le bouton vers la gauche (sur **OFF**), le Gate sera by-passé, et tous les signaux passeront non atténués. Si l'on tourne le bouton à fond vers la droite, le Gate atténuera les signaux inférieurs à +15dBu. L'importance de l'atténuation dépend du réglage du bouton **RATIO** de l'expanseur/Gate.

Les deux Leds indiquent le niveau du signal par rapport au seuil. Une Led rouge s'allumera lorsque le signal sera au-dessous (**BELOW**) du seuil, une Led verte s'allumera lorsque le signal sera au-dessus (**ABOVE**) du seuil.

Réglage du taux (RATIO) de l'Expanseur/Gate : Il détermine l'atténuation à appliquer au signal lorsque son niveau est au-dessous du seuil, d'une expansion douce (pour les programmes mixés, les voix, etc.) à un Gate abrupt (pour la percussion). Des taux assez bas (avec un seuil haut) conviennent mieux pour une expansion, tandis que des taux élevés (MAX) conviennent mieux pour le Gating. Si un réglage produit un effet de "pompage", réajustez le taux et le seuil.

Note : Les temps d'attaque et de relâchement de l'Expanseur/Gate sont dépendants du programme - très rapide pour du programme à contenu transitoire (percussion, par exemple) et plus lent pour du programme avec des attaques lentes (voix, par exemple).

Note : Un Gate rapide sur des signaux basses fréquences risque de provoquer un son haché. Pour éliminer ce problème, il suffit de régler le bouton RATIO. Un réglage adéquat du seuil minimisera également ces type d'effets.



ENTRÉES JACK (voies 1 et 2) :

Utilisez un jack 6.35 ou XLR pour connecter ces entrées à votre source. Cette entrée accepte des signaux symétriques ou asymétriques. L'impédance d'entrée est $>40k\Omega$.

SORTIES JACK (Voies 1 et 2) :

La sortie est sur jack 6.35 ou XLR. Le niveau de sortie maximum du signal est $>+20dBu$. A $+4dBu$, l'impédance de sortie est 100Ω en symétrique et 50Ω en asymétrique. A $-10dBV$, l'impédance de sortie est $1k\Omega$ en symétrique et 500Ω en asymétrique.

Touche OPERATING LEVEL :

Cette touche sélectionne le niveau de fonctionnement nominal, soit $-10dBV$ (touche enfoncée) ou $+4dBu$ (touche relâchée). Notez que cette touche est légèrement en retrait afin de la protéger des manipulations accidentelles. Un changement de gain brutal pourrait provoquer des dommages aux autres appareils du système.

Jack d'insert SIDE CHAIN :

Cette embase jack permet un accès direct à l'entrée du détecteur du 266XL. La bague constitue le départ, et délivre une version atténuée du signal d'entrée avec une impédance de $2k\Omega$. La pointe du jack constitue le retour, il reçoit le signal provenant d'un appareil de traitement et le dirige vers le circuit détecteur pour réaliser une compression/gate sélective en fréquence. Vous pouvez aussi attaquer l'entrée Side Chain directement en utilisant un jack mono. L'impédance d'entrée est supérieure à $10k\Omega$.

Note : Lorsqu'un câble est branché sur ce jack, il coupe automatiquement la connexion provenant de l'entrée.

Face arrière

266XL Compressor / Gate

Connecteur d'alimentation :

L'alimentation (fournie avec votre appareil) doit être connectée à cet endroit et reliée au secteur. Notez que le 266XL ne possède pas d'interrupteur. Il est recommandé de laisser le 266XL allumé en permanence. Sa consommation est faible. Si vous ne devez pas utiliser le 266XL durant une longue période, vous pourrez le débrancher.



ATTENTION : Vérifiez que l'alimentation correspond bien à la tension indiquée. Un mauvais branchement résulterait en un dommage important non couvert par la garantie.



ATTENTION : N'otez jamais le capot. Aucune pièce accessible à l'intérieur.

CONNEXION DU 266XL A VOTRE SYSTEME

Le 266XL peut être utilisé avec tout équipement de niveau ligne comme par exemple des consoles de mixage, des instruments de musique électroniques, des patchs, des processeurs de signal.

Pour toutes connexions, suivez les étapes suivantes :

Eteignez tous les équipements avant d'effectuer une connexion.

Montez éventuellement le 266XL (1U) dans un rack (option).

Le 266XL occupe une hauteur 1U et une largeur de rack. Il peut être monté au-dessus ou au-dessous de tout appareil ne dégageant pas de trop forte chaleur. Il ne requiert donc pas de ventilation. La température ambiante ne doit pas excéder 45°C lorsque l'équipement est branché.

Connexions à vos équipements à l'aide de jacks 6.35 ou XLR.

Les points de connexion typiques sont : les inserts de sous-groupe ou de voie d'entrée d'une console lorsque vous utilisez le 266XL pour un instrument ou des pistes ; les sorties principales de console pour le mixage ; la boucle d'effets d'un préampli d'instrument lorsque vous utilisez le 266XL pour une guitare ou une basse ; les sorties principales d'un pré-mélangeur (pour clavier par exemple) si le signal est envoyé vers la console principale ; entre la sortie d'un DAT et l'entrée d'un magnéto cassette analogique. Lorsque vous utilisez des processeurs en chaîne, le 266XL peut être placé avant ou après les effets ou autres processeurs de dynamique. Nous vous recommandons d'expérimenter différents réglages pour voir lequel apporte les meilleurs résultats.

Reliez l'alimentation (fournie avec votre appareil) au connecteur situé à l'arrière du 266XL et à votre source secteur pour mettre l'appareil en service.

SUPPORT TECHNIQUE ET APRÈS-VENTE

Le 266XL est un appareil robuste avec des composants choisis pour leur performance et leur excellente fiabilité. Chaque 266XL est testé et calibré en usine et ne requiert aucun ajustement interne. Nous recommandons de ne retourner l'appareil qu'après lecture du manuel et consultation du service client de votre revendeur.

Lorsque vous contactez votre distributeur, soyez précis dans la description de votre problème. Communiquez le numéro de série indiqué sur l'étiquette collée sur la face arrière.

Note : Référez-vous aux termes de la garantie qui s'applique à l'utilisateur final. Après expiration de la garantie, un coût raisonnable vous sera facturé pour les pièces, main-d'oeuvre et expédition. Dans tous les cas, vous êtes responsable de l'expédition.

Instructions pour l'expédition : Utilisez si possible l'emballage d'origine. Précisez bien le nom de l'expéditeur et inscrivez en rouge : FRAGILE ! Assurez le colis. Les frais d'expédition doivent être pré-payés.

CARTE DE GARANTIE

Nous vous remercions à l'avance de bien vouloir nous retourner votre carte de garantie.

DEUTSCH



ATTENTION: RISQUE DE CHOC ELECTRIQUE - NE PAS OUVRIR

WARNING: TO REDUCE THE RISK OF FIRE OR ELECTRIC SHOCK DO NOT EXPOSE THIS EQUIPMENT TO RAIN OR MOISTURE

Die obigen Symbole sind international üblich und dienen als Gefahrenhinweise bei Elektrogeräten. Das Blitzsymbol links oben weist auf gefährliche Spannungen im Gerät hin. Das Rufzeichen rechts oben weist auf wichtige Punkte hin, die unbedingt in der Bedienungsanleitung nachzulesen sind. Diese Symbole bedeuten auch, daß sich im Gerät keine vom Anwender reparierbaren Teile befinden. Öffnen Sie das Gerät auf keinen Fall und versuchen Sie nicht, es selbst zu reparieren. Lassen Sie Reparaturen ausschließlich von einem qualifizierten Techniker durchführen. Wenn Sie das Gerät öffnen, erlischt automatisch die Garantie des Herstellers. Machen Sie das Gerät nicht naß. Wenn dennoch eine Flüssigkeit auf oder in das Gerät gelangt, schalten Sie es sofort aus und bringen Sie es zu einem Händler zur Überprüfung. Ziehen Sie bei Gewittern zum Schutz vor Beschädigungen des Geräts das Netzkabel ab.

NETZSTECKER

Verwenden Sie aus Sicherheitsgründen vom Netzkabel abgeschnittene mitgespritzte Netzstecker nie weiter, sondern entsorgen Sie sie entsprechend den lokalen Entsorgungsvorschriften.

Schließen Sie beschädigte Netzstecker niemals an eine Netzsteckdose an.

SICHERHEITSHINWEISE

WICHTIGER HINWEIS BEI GERÄTEN MIT NETZKABEL:

ACHTUNG: DIESES GERÄT MUSS MIT EINER SCHUTZERDUNG VERSEHEN SEIN.

Die Adern des Netzkabels sind wie folgt farbcodiert:

GRÜN/GELB = Erde BLAU = Nulleiter BRAUN = Phase

Da die Farben der Adern des Netzkabels nicht unbedingt mit den Farbmarkierungen der Kontaktstifte in Ihrem Netzstecker übereinstimmen, gehen Sie bitte wie folgt vor:

- Schliessen Sie die grün/gelbe Ader an den mit dem Erdsymbol, dem Buchstaben "E", einem grünen oder grün/gelben Farbpunkt gekennzeichneten Kontaktstift an.
- Schliessen Sie die blaue Ader an den mit dem Buchstaben "N" oder einem schwarzen Farbpunkt gekennzeichneten Kontaktstift an.
- Schliessen Sie die braune Ader an den mit dem Buchstaben "L" oder einem roten Farbpunkt gekennzeichneten Kontaktstift an.

Je nach Art des am Einsatzort vorhandenen Netzanschlusses wird möglicherweise ein anderes Netzkabel bzw. ein anderer Netzstecker oder beides erforderlich sein. Der Netzstecker darf nur von einem qualifizierten Techniker anhand untenstehender Tabelle getauscht werden. Dabei ist die grün/gelbe Ader direkt mit Gehäusemasse zu verbinden.

ADER		FARBE	
		Standard	Alt.
L	PHASE	BRAUN	SCHWARZ
N	NULLLEITER	BLAU	WEISS
	SCHUTZERDE	GRÜN/GELB	GRÜN

WARNING: Bei unterbrochener Schutzerdung können bestimmte Fehler im Gerät oder in der Anlage, an die das Gerät angeschlossen ist, dazu führen, daß zwischen Gehäusemasse und Erde die volle Netzspannung anliegt. Das gleichzeitige Berühren des Gehäuses und eines Erdpunkts kann in diesem Fall zu schweren Verletzungen oder zum Tod führen.

WARNUNG

BEACHTEN SIE ZU IHRER EIGENEN SICHERHEIT BITTE FOLGENDES:

WASSER UND FEUCHTIGKEIT: Benutzen Sie das Gerät nicht in feuchter Umgebung (z.B. in der Nähe von Badewannen, Waschbecken, Spülbecken, Waschtrögen, in feuchten Kellerräumen oder neben einem Schwimmbassin). Achten Sie darauf, daß keine Gegenstände oder Flüssigkeiten in das Innere des Gerätes gelangen.

NETZGERÄT: Schliessen Sie das Gerät nur an das in der Bedienungsanleitung bzw. am Gerät angegebene Netzgerät an.

SCHUTZERDE UND PHASENUMSCHALTER: Achten Sie darauf, den Erdanschluß des Gerätes nicht zu unterbrechen und den Phasenumschalter nicht zu deaktivieren.

SCHUTZ DES NETZKABELS: Verlegen Sie alle Netzkabel immer so, dass möglichst niemand darauf treten und die Netzkabel durch darauf oder daneben gestellte Gegenstände nicht gequetscht werden können. Dies gilt besonders in der unmittelbaren Umgebung der Netzstecker, Netzsteckdosen und des Kabelaustritts am jeweiligen Gerät.

SERVICE: Um Brände oder elektrische Schläge zu vermeiden, versuchen Sie nicht, andere Servicearbeiten als die in dieser Bedienungsanleitung beschriebenen am Gerät durchzuführen. Wenden Sie sich für diese Arbeiten an einen qualifizierten Techniker.

GERÄTE MIT VON AUSSEN ZUGÄNGLICHEM SICHERUNGSHALTER: Ersetzen Sie durchgebrannte Sicherungen nur durch Sicherungen desselben Typs.

NETZSPANNUNGEN: Je nach Art des am Einsatzort vorhandenen Netzanschlusses kann ein anderer Netzstecker, ein anderes Netzkabel oder beides erforderlich sein. Schliessen Sie das Gerät nur an die an der Rückseite des Gerätes angegebene Netzspannung an. Um Brände oder elektrische Schläge zu vermeiden, wenden Sie sich für Reparaturen an einen qualifizierten Techniker.

ELEKTROMAGNETISCHE VERTRÄGLICHKEIT

Dieses Gerät entspricht den in der **Konformitätserklärung** angeführten Spezifikationen. Voraussetzung für den Betrieb des Gerätes ist die Erfüllung folgender Bedingungen:

- Das Gerät darf keine schädliche Strahlung abgeben.
- Das Gerät darf durch empfangene Störstrahlung einschliesslich Störstrahlungen, die Betriebsstörungen hervorrufen können, nicht beschädigt werden.

Der Betrieb des Gerätes in starken elektromagnetischen Feldern ist zu vermeiden.

- Verwenden Sie ausschliesslich geschirmte Verbindungskabel.

KONFORMITÄTSEKHLÄRUNG

Hersteller: dbx Professional Products
 Adresse des Herstellers: 9760 S. Sandy Parkway
 Sandy, Utah 84070, USA

erklärt, dass das Produkt: dbx 266XL
 folgende Produktnormen erfüllt:

EMV: EN 55013 (1990)
 EN 55020 (1991)
 Sicherheit: EN 60065 (1993)
 IEC65 (1985) mit Abänderungen 1, 2, 3

Zusatzinformation:
 Das Produkt erfüllt hiermit die Bestimmungen der Niederspannungs-richtlinie 73/23/EWG und der EMV-Richtlinie 90/336/EWG in der durch Richtlinie 93/68/EWG abgeänderten Form.

dbx Professional Products
 Vice President of Engineering
 8760 S. Sandy Parkway
 Sandy, Utah 84070, USA
 26 February, 1998

Kontaktperson Europa: Ihr dbx-Händler bzw. -Servicestelle oder
 International Sales Office
 68 Sheila Lane
 Valparaiso, Indiana
 46383, USA
 Tel: (219) 462-0938
 Fax: (219) 462-4596

GARANTIEBEDINGUNGEN

Wir gewähren 1 Jahr Garantie ab Verkaufsdatum auf nachweisbare Material- und Fabrikationsfehler (ausgenommen externe Netzgeräte). Der Garantieanspruch erlischt bei unsachgemässer Handhabung, elektrischer oder mechanischer Beschädigung durch missbräuchliche Anwendung sowie bei unsachgemässer Reparatur durch nichtautorisierte Werkstätten. Zur Inanspruchnahme der angeführten Garantieleistungen ist der Nachweis des Kaufes (ordentliche Rechnung des Verkäufers) erforderlich. Transport- und Portospesen, welche aus der Einsendung des Gerätes zur Garantiereparatur erwachsen, können von dbx nicht übernommen werden, das Risiko der Zusendung trägt der Kunde. Die Garantie wird ausschliesslich für den Erstkäufer geleistet.

INHALT

EINLEITUNG 22

BEDIENELEMENTE 23

KOMPRESSOR-SEKTION 24

EXPANDER/GATE-SEKTION 25

ANSCHLIESSEN DES DBX 266XL AN IHRE ANLAGE 27

SERVICE UND KUNDENDIENST 27

REGISTRIERUNGS- UND ANTWORTKARTE 28

TECHNISCHE DATEN 39

BLOCKSCHALTBILD 41

Wir danken Ihnen, dass Sie sich für den Kompressor mit Gate 266XL von dbx entschieden haben. Der dbx 266XL bietet die bekannte dbx Tonqualität und Leistung auf der Bühne, im Studio und für all jene Anwender, die einen hochwertigen, leicht und schnell zu bedienenden Kompressor, Noisegate und Abwärts-Expander benötigen. Bitte nehmen Sie sich etwas Zeit, die Bedienungsanleitung durchzulesen. Wir wünschen Ihnen viele erfolgreiche Produktionen mit Ihrem dbx 266XL.

Der Kompressor des dbx 266XL bietet genau die richtigen Möglichkeiten zur wirksamen Dynamikeinengung und -regelung, Auffrischung flauer, müder Sounds oder Verlängerung des Sustains von Instrumenten. Selbstverständlich verfügt der dbx 266XL über die klassische Kompressorfunktion des berühmten dbx 160. Dazu brauchen Sie bloss Attack und Release jeweils auf Mitte (12 Uhr) zu stellen. Aber das ist längst nicht alles. Die neue AutoDynamic™-Schaltung von dbx bewirkt eine Skalierung der programmabhängigen Attack- und Release-Regelung, die eine Bearbeitungsbandbreite von allmählichem Leveling bis hin zu aggressiver Spitzwertbegrenzung ermöglicht.

Übliche Kompressor-Anwendungen:

- Auffetten von Bassdrum und Snare
- Sustainverlängerung für Gitarre und Synthesizer-Streichersounds
- Ausgleich von Pegelschwankungen bei Gesang
- Hervorheben eines Signals aus einer Mischung
- Schutz vor Übersteuerungen bei Beschallungsanlagen
- Überspielungen von Digital auf Analog

Das Gate des dbx 266XL bietet alle Möglichkeiten vom Ausblenden störenden Rauschens oder anderer Hintergrundgeräusche über das Straffen von Drumsounds bis zur Veränderung der typischen Hüllkurve eines Instruments. Das Gate des dbx 266XL arbeitet als Kombination aus Gate und Expander und ist daher wesentlich flexibler als herkömmliche geschaltete Gates. Während sich geschaltete Gates im allgemeinen nur für wenige Anwendungen (z.B. zum Gaten von Schlaginstrumenten) eignen, arbeitet das Gate des dbx 266XL bei niedrigen Ratio-Einstellungen als sanfter Abwärts-Expander (für Vocals, Gitarre, Mischungen usw.), bei hohen Ratio-Einstellungen jedoch als "hart" schaltendes Gate.

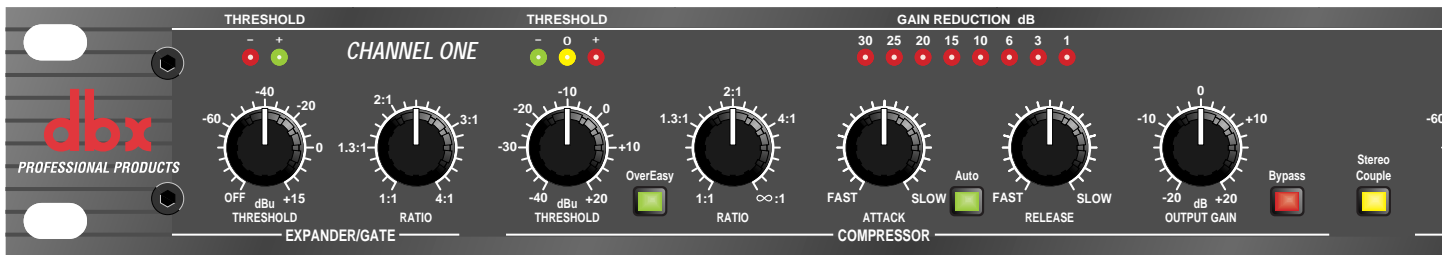
Übliche Gate-Anwendungen:

- Gaten trockener perkussiver Signale (z.B. Snare, Bassdrum)
- Gaten länger nachklingender Signale (z.B. Becken, Piano)
- Ausblenden von Brummgeräuschen bei Live-Instrumenten oder Bandspuren
- Abwärts-Expansion zur Verminderung des Rauschens bei weich einsetzenden Signalen (z.B. Gesang, Holzbläser)

Auf den folgenden Seiten finden Sie Vorschläge für Einstellungen, die für die üblichen Kompressor- und Gate-Anwendungen ausreichen. Sie können die Tonqualität jedoch noch viel stärker verändern. Experimentieren Sie ruhig mit den Reglern; beginnen Sie mit den von uns vorgeschlagenen Einstellungen, probieren Sie völlig andere aus und machen Sie auch vor unorthodoxen Kombinationen aus Kompression und Gating nicht halt. Manches wird vielleicht seltsam klingen, vielleicht finden Sie aber auf diesem Weg die ideale Einstellung für Ihre Anwendung.

266XL Compressor / Gate

BEDIENELEMENTE



Frontplatte

STEREO COUPLE-Taste und -LED

Diese Taste schaltet zwischen Stereo- und echtem Zweikanalbetrieb um. Zum Umschalten auf Stereobetrieb drücken Sie die Taste hinein. Kanal 1 arbeitet dann als "Master" und Kanal 2 als "Slave", wobei sämtliche Bedienelemente und Anzeigen für Kanal 2 (ausser der GAIN REDUCTION-Anzeige) wirkungslos sind.

Ist die STEREO COUPLE-Taste herausen, arbeitet der dbx 266XL wie zwei separate Monogeräte, jedes mit eigenen, unabhängigen Bedienelementen.

Wenn die STEREO COUPLE-LED leuchtet, arbeitet das Gerät im Stereobetrieb.

BYPASS-Taste und -LED

Durch Drücken der BYPASS-Taste können Sie die Bedienelemente an der Frontplatte und damit auch sämtliche Bearbeitungsschaltungen und Verstärkerstufen wegschalten. Das Eingangssignal liegt dann völlig unverändert am Ausgang an. Mit der BYPASS-Taste können Sie das bearbeitete Signal rasch und einfach mit dem direkten Signal vergleichen. Beachten Sie bitte, dass im Stereobetrieb (STEREO COUPLE-Taste gedrückt) die BYPASS-Taste für Kanal 1 auf beide Kanäle wirkt.

Im Bypass-Modus leuchtet die rote Kontroll-LED oberhalb der Taste.

GAIN REDUCTION (dB)-Anzeige

Diese LED-Zeile zeigt die Abschwächung des Eingangssignals durch den Kompressor bzw. das Expander/Gate in dB an. Wenn sowohl der Kompressor als auch das Expander/Gate in Betrieb sind, wird die Abschwächung der jeweils stärker wirkenden Funktion - des Kompressors oder Expander/Gates - angezeigt.

OUTPUT GAIN-Regler (dB):

Dieser Regler stellt die Gesamtverstärkung des dbx 266XL von -20dB bis +20dB ein. Damit können Sie die Dämpfung des effektiven Signalpegels durch die Dynamikbearbeitung ausgleichen. Stellen Sie den gewünschten Kompressionsgrad ein und stellen Sie danach den OUTPUT GAIN-Regler auf den Wert ein, den die GAIN REDUCTION-LEDs anzeigen. Wenn die GAIN REDUCTION-Anzeigen z.B. 10dB anzeigen, stellen Sie OUTPUT GAIN auf +10dB, um die 10dB Dämpfung des Mittelwertpegels am Ausgang auszugleichen.

Anmerkung: Die Kompressor- und Expander/Gate-Regler des dbx 266XL sind interaktiv und können die Verstärkung beeinflussen. Achten Sie daher besonders auf die Wiedergabepegel.

KOMPRESSOR-SEKTION

Anmerkung: Wenn Sie COMPRESSOR RATIO auf 1:1 stellen, ist der Kompressor unabhängig von der Stellung des COMPRESSOR THRESHOLD-Reglers und des Anzeigezustands der THRESHOLD-LEDs abgeschaltet. Wenn THRESHOLD auf +20 dB steht, werden nur extrem hohe Signalspitzen komprimiert.

OVEREASY®-Taste

Durch Drücken dieser Taste können Sie auf OverEasy®-Characteristick umschalten. Wenn sich der Signalpegel im OverEasy®-Bereich befindet, leuchtet die gelbe THRESHOLD-LED (0) auf. Befindet sich die Taste herausen, arbeitet der dbx 266XL als Hard Knee-Kompressor und die gelbe LED bleibt dunkel.

COMPRESSOR THRESHOLD-Regler und -LEDs (-/0/+):

Stellt die Einsatzschwelle des Kompressors zwischen - 40dB und +20dB ein. Im Hard-Knee-Modus entspricht die Einsatzschwelle jenem Punkt, oberhalb dessen der Ausgangspegel nicht mehr im Verhältnis 1:1 dem Eingangspegel entspricht.

Im OverEasy-Modus entspricht die Einsatzschwelle der Mitte des OverEasy-Schwellenbereichs, wodurch sich ein sanfter Übergang zur Kompression ergibt.

Die drei THRESHOLD-LEDs zeigen das Verhältnis zwischen Eingangssignalpegel und Kompressor-Einsatzschwelle an. Liegt der Signalpegel unterhalb der Einsatzschwelle, leuchtet die grüne LED (-), bei Signalpegeln oberhalb der Einsatzschwelle die rote LED (+), und wenn sich bei gedrückter OVEREASY-Taste der Signalpegel im OverEasy-Bereich befindet, die gelbe LED.

Die OverEasy-Funktion des dbx 266XL ermöglicht dank des allmählichen Kompressionseinsatzes eine sehr unauffällige, natürlich klingende Kompression. Im OverEasy-Modus beginnt der Regelverstärker des dbx 266XL bereits bei Pegeln etwas unterhalb der eingestellten Einsatzschwelle allmählich einzusetzen, wobei das mit COMPRESSOR RATIO, ATTACK und RELEASE eingestellte Kompressionsverhalten erst etwas oberhalb der Einsatzschwelle voll erreicht wird. Wenn der Signalpegel über die Einsatzschwelle hinaus ansteigt, wird dabei die Bearbeitung immer stärker, bis die mit den Reglern eingestellten Werte erreicht werden.

Im Hard-Knee-Modus eignet sich der dbx 266XL sowohl für abrupte Kompressionseffekte als auch für harte Signalbegrenzung. Beachten Sie bitte, dass im Hard Knee-Modus die gelbe LED immer dunkel bleibt, da das Signal sofort bei Erreichen der Einsatzschwelle übergangslos komprimiert wird.

Anmerkung: Beim Ein- und Ausschalten des Gerätes leuchten die LEDs kurz auf, auch wenn kein Signal am Eingang anliegt.

COMPRESSOR RATIO-Regler:

Mit diesem Regler können Sie einstellen, wie stark das Eingangssignal komprimiert wird. Durch Drehen im Uhrzeigersinn können Sie das Kompressionsverhältnis von 1:1 (keine Kompression) bis ∞ :1 (wo der Kompressor praktisch als Peak Limiter arbeitet,

266XL Compressor / Gate

besonders bei schnelleren ATTACK-Einstellungen) erhöhen.

Bei Signalpegeln oberhalb des mit THRESHOLD eingestellten Bezugspegels bestimmt die RATIO-Einstellung, um wieviel dB der Eingangssignalpegel ansteigen muss, damit der Ausgangspegel des dbx 266XL um 1dB ansteigt. Bei einer Einstellung von 2:1 steigt bei einem Anstieg des Eingangspiegels um 2 dB (oberhalb der Einsatzschwelle) der Ausgangspegel nur um 1 dB an. Bei ∞ :1 würde erst ein unendlicher Anstieg des Eingangspiegels den Ausgangspegel um 1dB steigen lassen.

COMPRESSOR ATTACK- und RELEASE-Regler:

ATTACK stellt die Zeit zwischen dem Moment, wo der Signalpegel die Einsatzschwelle übersteigt, und dem tatsächlichen Kompressionseinsatz ein. Der Regelumfang reicht von FAST (dichte, auffälligere Kompression mit sehr wenig Überschwingen) bis SLOW (leicht verzögerte, allmähliche Kompression). bei sehr schnellen ATTACK-Einstellungen arbeitet der dbx 266XL trotz RMS-Messung als Peak Limiter. Bei langsameren Einstellungen entspricht die Funktion der eines Kompressor/Limiters mit RMS- oder Mittelwertmessung.

Der RELEASE-Regler stellt die Geschwindigkeit ein, mit der die Kompressorschaltung den Signalpegel auf seinen ursprünglichen Wert zurückregelt. Der Regelumfang reicht von FAST (die Kompression folgt sehr genau der Hüllkurve des Programmmaterials) bis SLOW (sehr sanfte Kompression).

Es gibt keine absolut "richtige" ATTACK- und RELEASE-Einstellung. Im allgemeinen sollten Sie jedoch beides langsam genug einstellen, um ein "Pumpen" oder "Atmen" bei Modulation des Hintergrundrauschens durch das Nutzsignal zu vermeiden, RELEASE allerdings schnell genug, um eine Unterdrückung des Nutzsignals nach dem Abklingen eines plötzlichen Impulses oder lauten Tons zu verhindern. Für tieffrequente Signale (z.B. Bassgitarre) stellen Sie RELEASE und ATTACK auf "2 Uhr" oder noch langsamer.

Anmerkung: Der ATTACK- und RELEASE-Regler beeinflussen einander und den RATIO-Regler. Wenn Sie einen Regler verstellen, müssen Sie möglicherweise auch einen der anderen Regler neu einstellen.

AUTO-Taste:

Schaltet den ATTACK- und den RELEASE-Regler weg und aktiviert voreingestellte programmabhängige Ansprech- und Rücklaufzeiten. Die Zeitkonstanten werden in diesem Fall aus dem Eingangssignal ermittelt und ändern sich ständig je nach dessen Dynamik. Wenn Sie die AUTO-Taste drücken, erhalten Sie den "klassischen dbx-Sound" der Vorgänger des dbx 1066, die heute den Industrie-Standard darstellen.

EXPANDER/GATE-SEKTION

Anmerkung: Wenn der EXPANDER/GATE THRESHOLD-Regler auf OFF steht, ist die Expander/Gate-Funktion abgeschaltet.

EXPANDER/GATE THRESHOLD-Regler und -LEDs (-/+):

Stellt den Pegel ein, bei dem das Gate öffnet und das Signal vom Eingang zum Ausgang durchschaltet. Wenn Sie den Regler ganz nach links (OFF) drehen, wird das Signal nicht abgeschwächt - das Gate wird praktisch umgangen. Am rechten Anschlag werden alle Eingangssignale unterhalb +15dBu abgeschwächt. Das Ausmass der Abschwächung können Sie mit dem EXPANDER/GATE RATIO-Regler einstellen. Die beiden EXPANDER/GATE-LEDs zeigen das Verhältnis des Eingangspiegels zur eingestellten Einsatzschwelle an. Liegt der Signalpegel unterhalb der Einsatz-

Die beiden EXPANDER/GATE-LEDs zeigen das Verhältnis des Eingangspegels zur eingestellten Einsatzschwelle an. Liegt der Signalpegel unterhalb der Einsatzschwelle, leuchtet die rote LED, liegt der Signalpegel über der Einsatzschwelle, die grüne LED.

EXPANDER/GATE RATIO-Regler:

Mit diesem Regler bestimmen Sie, wie stark das Eingangssignal unterhalb der Einsatzschwelle abgeschwächt wird, von sanfter Abwärts-Expansion (für Mischungen, Gesang usw.) bis zu abrupten Gating-Effekten (für Schlagzeug). Für Abwärts-Expansion stellen Sie RATIO am besten eher niedrig (und EXPANDER/GATE THRESHOLD eher höher), für Gating den RATIO-Regler höher ein (weiter nach rechts). Wenn störendes Pumpen auftritt, stellen Sie EXPANDER/GATE RATIO oder THRESHOLD neu ein.

Anmerkung: Ansprech- und Rücklaufzeit des Expander/Gates sind programmabhängig - sehr kurz für impulsförmige Signale (z.B. Schlagzeug) und länger für weich einsetzende Signale (z.B. Gesang).

Anmerkung: Schnelles Gaten lang ausgehaltener tiefer Signale kann zu "Schnattern" führen. Verstellen Sie in diesem Fall den RATIO-Regler. Ungewolltes Öffnen und "Schnattern" des Gates können Sie zusätzlich durch sorgfältiges Einstellen des THRESHOLD-Reglers minimieren.



Rückseite

INPUT Eingangsbuchsen (CHANNEL 1 und CHANNEL 2):

An die INPUT-Buchsen können Sie mittels 6,3-mm-Klinkensteckern sowohl symmetrische als auch asymmetrische Signalquellen anschließen. Der Nennpegel beträgt +4dBu, die Eingangsimpedanz >40k Ω .

OUTPUT Ausgangsbuchsen (CHANNEL 1 und CHANNEL 2):

Die OUTPUT-Buchsen sind für symmetrische und asymmetrische 6,3-mm-Klinkenstecker geeignet. Der Nennausgangspegel beträgt +4dBu, der maximale Ausgangspegel >+20dBu. In der Einstellung +4dBu beträgt die Ausgangsimpedanz bei symmetrischem Abschluss 100 Ω , bei asymmetrischem Abschluss 50 Ω . Bei -10dBV beträgt die Ausgangsimpedanz 1k Ω (symmetrisch) bzw. 500 Ω (asymmetrisch).

OPERATING LEVEL-Taste

Schaltet den Nennpegel zwischen -10dBV und +4dBu um. Zum Umschalten auf -10dBV Nennpegel drücken Sie die Taste hinein. Zum Umschalten auf +4dBu drücken Sie die Taste nochmals. Beachten Sie bitte, dass die Taste leicht versenkt angebracht ist. Dies dient zum Schutz vor unbeabsichtigter Betätigung und damit vor Beschädigung anderer Geräte durch plötzliche Pegelsprünge.

SIDECHAIN INSERT-Buchse:

Diese 6,3-mm-Stereoklinkenbuchse dient als direkter Anschluss an die Messschaltung (Sidechain). Am Ringkontakt als Ausgang liegt das gepufferte Eingangssignal des dbx 266XL mit einer Impedanz von 2k Ω . Der Spitzenkontakt dient als Eingang für externe Geräte zur Ansteuerung der Messschaltung z.B. durch einen Equalizer zur Zischlaufdämpfung oder frequenzselektiven Kompression. An die SIDECHAIN INSERT-Buchse können Sie auch fast jedes andere Gerät mittels 6,3-mm-Monoklinkenstecker direkt anschließen. Die Eingangsimpedanz beträgt >10k Ω .

266XL Compressor / Gate

IEC-Kaltgerätebuchse

Stecken Sie das mitgelieferte Netzkabel an den dbx 266XL an. Schliessen Sie das andere Ende des Netzkabels an eine Netzsteckdose an. Verlegen Sie Netzkabel nie unmittelbar neben Audiokabeln. Der dbx 266XL besitzt keinen Netzschalter. Da das Gerät nur wenig Strom verbraucht, können Sie es ständig eingeschaltet lassen. Wir empfehlen jedoch, bei längerem Nichtgebrauch das Netzkabel abzuziehen.

ACHTUNG: Kontrollieren Sie, ob die Netzspannung am Einsatzort der unterhalb der Netzbuchse angegebenen Spannung entspricht. Der Anschluss an eine falsche Netzspannung kann zu schweren Schäden am Gerät führen, für die keine Garantie geleistet wird.



Achtung: Montieren Sie niemals den Gehäusedeckel ab. Im Gerät befinden sich keine vom Anwender reparierbaren Teile.



ANSCHLIESSEN DES DBX 266XL AN IHRE ANLAGE

Sie können den dbx 266XL zusammen mit jedem Line-Pegel-Gerät wie z.B. Mischpulten, elektronischen Musikinstrumenten, Patchbays und Signalprozessoren einsetzen.

Bei der Verkabelung gehen Sie bitte immer wie folgt vor:

Schalten Sie immer alle Geräte aus, bevor Sie eine Kabelverbindung herstellen.

Montieren Sie den dbx 266XL in einem 19"-Rack (optional).

Der dbx 266XL ist 19" breit und benötigt 1 HE im Rack. Sie können das Gerät oberhalb oder unterhalb von anderen Geräten montieren, die keine übermässige Wärme abgeben, da der dbx 266XL keine spezielle Lüftung benötigt. Bei eingeschalteten Geräten darf die Umgebungstemperatur 45°C nicht übersteigen.

Stellen Sie die gewünschten Kabelverbindungen mittels 6,3-mm-Klinkensteckern her.

Typische Anschlusspunkte: Einschleifpunkt eines Kanals oder einer Subgruppe am Mischpult zum Bearbeiten einzelner Instrumente oder Spuren; Hauptausgänge des Mischpults beim Abmischen; Effektein- und -ausgang der Vorstufe eines Gitarren- oder Bassverstärkers; Hauptausgänge eines Submixers (z.B. für Keyboards) und Kanaleingänge des Hauptmischpults; Ausgänge eines DAT-Recorders und Eingänge eines Analog-Cassettedecks. In einer Bearbeitungskette können Sie den dbx 266XL vor oder nach Effekt- oder Dynamikprozessoren einschleifen. Probieren Sie mehrere Möglichkeiten aus, um die für Ihre Anwendung optimale festzustellen.

Schliessen Sie das mitgelieferte Netzkabel an das Gerät und an eine Netzsteckdose an. Das Gerät ist damit automatisch eingeschaltet.

SERVICE UND KUNDENDIENST

Der dbx 266XL ist ein volltransistorisiertes Gerät. Jedes Gerät wird im Werk auf Qualität und Funktion geprüft und abgeglichen, so dass normalerweise während der gesamten Lebensdauer des Gerätes keinerlei interne Einstellarbeiten mehr erforderlich sind. Im Servicefall lesen Sie bitte zuerst in der Bedienungsanleitung nach und wenden Sie sich erst dann an Ihren dbx-Händler.

Für den Fall, dass Ihr Händler Ihr Gerät zur Reparatur an das Werk einsenden muss, heben Sie bitte den Originalkarton auf. Wenn Sie das nicht möchten, entsorgen Sie das Verpackungsmaterial nach den in Ihrem Land gültigen Entsorgungsvorschriften.

Falls Sie weitere Fragen haben, wenden Sie sich bitte an Ihre dbx-Vertretung. Deren Adresse, Telefon- und Faxnummer finden Sie auf der Rückseite der Bedienungsanleitung.

REGISTRIERUNGS- UND ANTWORTKARTE

Wir freuen uns über Ihre Anregungen und Kommentare. Wenn Sie einige Zeit mit dem dbx 266XL gearbeitet haben, füllen Sie bitte die Registrierungskarte aus und senden Sie sie an uns zurück.

ESPAÑOL



CAUTION

RISK OF ELECTRIC SHOCK
DO NOT OPEN



ATTENTION: RISQUE DE CHOC ELECTRIQUE - NE PAS OUVRIR

WARNING: TO REDUCE THE RISK OF FIRE OR ELECTRIC SHOCK DO NOT EXPOSE THIS EQUIPMENT TO RAIN OR MOISTURE

Los símbolos indicados arriba son símbolos internacionalmente aceptados que advierten contra posibles peligros con productos eléctricos. El rayo con punta de flecha en un triángulo equilátero significa que hay voltajes peligrosos en el aparato. El signo de exclamación en un triángulo equilátero indica que es necesario que el usuario haga referencia al Manual de Instrucciones.

Estos símbolos indican que no hay piezas de fácil mantenimiento técnico por parte del usuario en el interior de la unidad. No debe abrirse el aparato. No trate de reparar el aparato usted mismo. Acuda a personal calificado para todo lo relativo al servicio técnico. El abrir el chasis por cualquier razón deja inválida la garantía del fabricante. No moje la unidad. Si se derrama líquido sobre el aparato, desconéctelo inmediatamente y llévelo adonde su representante o distribuidor para someterlo a servicio técnico. Desconecte la unidad durante tormentas para impedir averías.

ATENCION

PARA SU PROTECCIÓN TENGA A BIEN LEER LO QUE SIGUE:

AGUA Y HUMEDAD: El aparato no debe ser utilizado cerca del agua (p.ej. cerca de una bañera, lavabo, sumidero de cocina, tuba de lavadero, en un sótano húmedo o cerca de una piscina, etc.). Debe impedirse caigan objetos sobre la caja y que se derramen líquidos a través de las aberturas.

FUENTES DE ALIMENTACION: El aparato debe conectarse sólo a una fuente de alimentación del tipo descrito en las instrucciones o que esté marcada en el aparato.

PUESTA A TIERRA O POLARIZACION: Deben tomarse precauciones para que los medios de puesta a tierra o de polarización del aparato no queden invalidados.

PROTECCION DEL CORDON DE ALIMENTACION: Los cordones de alimentación deben disponerse de tal forma que no se puedan pisar o que no sean aplastados por objetos colocados sobre o contra ellos, poniendo atención particular en los cordones en enchufes, en los tomacorrientes y el lugar en que estos salen del aparato.

SERVICIO TECNICO: Para reducir el riesgo de incendio o electrochoque, el usuario no debe intentar reparar el aparato, aparte de lo que se describe en las instrucciones. Todo otro servicio técnico debe ser encargado a personal técnico calificado.

PARA UNIDADES CON RECEPTACULOS DE FUSIBLES ACCESIBLES DEL EXTERIOR: Reemplazar el fusible por otro del mismo tipo y potencia.

TENSION DE ENTRADA MULTIPLE: Puede ser que este equipo necesite un cordón de alimentación o un enchufe tomacorriente diferentes o ambos, dependiendo de la fuente de alimentación disponible cuando se hace la instalación. Conectar este equipo sólo a la fuente de alimentación indicada en el panel posterior del aparato. Para reducir el riesgo de incendio o electrochoque, acuda, para el servicio técnico, a personal calificado o equivalente.

REINO UNIDO: ADVERTENCIA SOBRE EL ENCHUFE TOMACORRIENTE

Un enchufe tomacorriente moldeado que haya sido cortado del cordón ya no es seguro. Debe desecharse en un servicio apropiado de eliminación de desechos. EN NINGUN CASO DEBE INSERTARSE UN ENCHUFE TOMACORRIENTE DAÑADO O CORTADO EN UN ZOCALO DE POTENCIA DE 13 A. No debe utilizarse el enchufe tomacorriente sin que esté en su lugar la cubierta del fusible. Las cubiertas de fusible de repuesto las puede obtener de su distribuidor local. Los fusibles de repuesto deben tener 13 A y ser aprobados por ASTA según BS 1362.

COMPATIBILIDAD ELECTROMAGNETICA

Esta unidad se conforma a las Especificaciones de Productos indicadas en la **Declaración de Conformidad**. Puede ponerse en funcionamiento si se cumplen las dos condiciones siguientes:

- este dispositivo no debe causar interferencia nociva y
- este dispositivo debe aceptar toda interferencia recibida, incluyendo la interferencia que pueda causar un funcionamiento no deseado.

Debe evitarse el funcionamiento de esta unidad con campos electromagnéticos fuertes.

- Utilizar sólo cables de interconexión blindados.

INSTRUCCIONES DE SEGURIDAD

AVISO A LOS CLIENTES QUE TIENEN UN APARATO EQUIPADO CON UN CORDON DE ALIMENTACION.

ATENCION: ESTE APARATO DEBE ESTAR PUESTO A TIERRA.

Las almas en el conductor principal tienen colores según el código siguiente:

VERDE y AMARILLO - tierra AZUL - neutral MARRON - vivo

Como los colores de las almas del conductor principal de este aparato pueden quizás no corresponder a las marcas coloreadas que identifican los terminales en su enchufe, proceda como sigue:

- El alma de color de verde y amarillo debe conectarse al terminal en el enchufe marcado con la letra E, o con el símbolo de tierra, o coloreado de verde o de verde y amarillo.
- El alma de color de azul debe conectarse al terminal marcado con N o coloreado de negro.
- El alma de color marrón debe conectarse al terminal marcado con la letra L o coloreado de rojo.

Este equipo puede requerir la utilización de un cordón de alimentación o de un enchufe tomacorriente diferentes, o de ambos, dependiendo de la fuente de alimentación disponible cuando se hace la instalación. Si el enchufe tomacorriente tiene que cambiarse, recurra a personal de servicio técnico calificado, quien a su vez debe hacer referencia al cuadro indicado a continuación. El alambre verde/amarillo debe conectarse directamente al chasis de la unidad.

CONDUCTOR		COLOR	
		Normal	Alt.
L	VIVO	MARRON	NEGRO
N	NEUTRAL	AZUL	BLANCO
	TIERRA	VERDE/AMARILLO	VERDE

ATENCION: Si la puesta a tierra queda inactivada, ciertas condiciones de fallo de la unidad o del sistema al que está conectado pueden dar como resultado el voltaje total de línea entre el chasis y el punto en que se toma tierra. El resultado de ello pueden ser lesiones graves o muerte si el chasis y el punto de toma de tierra se tocan al mismo tiempo.

DECLARACION DE CONFORMIDAD

Nombre del fabricante: dbx Professional Products
 Dirección del fabricante: 8760 S. Sandy Parkway
 Sandy, Utah 84070, USA

declara que el producto:

dbx 266XL

es conforme a las siguientes normas:

CEM: EN 55013 (1990)
 EN 55020 (1991)
 Seguridad EN 60065 (1993)
 IEC65 (1985) con enmiendas
 1, 2, 3

Información adicional:

El producto aquí mencionado cumple con los requisitos de las Directivas 73/23/EEC y 90/336/EEC, enmendadas por la Directiva 93/68/EEC.

dbx Professional Products
 Vice President of Engineering
 8760 S. Sandy Parkway
 Sandy, Utah 84070, USA
 February 26, 1998

Contacto en Europa: su oficina dbx de ventas y servicio local, o: International Sales Office

68 Sheila Lane
 Valparaiso, Indiana
 46383, USA
 Tel: (219) 462-0938
 Fax: (219) 462-4596

CONTENIDO DEL MANUAL

INTRODUCCION	32
CONTROLES	33
SECCION COMPRESSOR	34
SECCION EXPANDER/GATE	35
CONEXION DEL 266XL A SU SISTEMA	37
APOYO TECNICO/SERVICIO DE FABRICA	37
REGISTRO Y REACCIONES DE LOS USUARIOS	38
ESPECIFICACIONES	39
DIAGRAMA EN BLOQUES	41

Enhorabuena por haber elegido el Compresor/Compuerta 266XL de dbx. El 266XL proporciona el tradicional sonido de calidad y el rendimiento que ofrece dbx para el músico profesional, el DJ, el operador en el estudio o todo aquél que quiere adquirir un compresor/compuerta convivial para poder obtener alta calidad de compresión, activación de compuerta y expansión hacia abajo en forma rápida y fácil. Recomendamos que se tome unos momentos para leer todo el manual, ya que contiene información que podrá ayudarle a utilizar su unidad con el mayor provecho.

El compresor 266XL cuenta con las características apropiadas para poder reducir y controlar en forma eficaz la gama dinámica de su audio y añadir intensidad a sonidos blandos y sueltos o dar más persistencia a los instrumentos. El 266XL comienza con la clásica compresión dbx, hecha famosa por nuestra línea 160 de compresores. Ponga los controles de ataque y liberación a las 12:00 para obtener la misma respuesta que esas unidades. Pero hay algo más aún. Hemos graduado los controles de ataque y liberación dependientes del programa con la nueva circuitería dbx AutoDynamic™, de modo que la gama completa de controles del 266XL produce sonorizaciones que van de nivelación lenta a una limitación agresiva de crestas.

Aplicaciones comunes del compresor:

- Dar cuerpo a un bombo o a un tambor pequeño
- Añadir persistencia a sonidos de cuerda de guitarra o sintetizador
- Pulir una actuación vocal
- Hacer sobresalir una señal de una mezcla
- Impedir una sobrecarga del sistema sonoro
- Transferencias de digital a análogo

La compuerta del 266XL está condicionada para satisfacer todas sus necesidades en la materia, ya sea que quiera hacer desaparecer ruidos no deseados u otros sonidos de fondo, ajustar sonidos de tambor o cambiar la envolvente característica de un instrumento. La compuerta del 266XL proporciona más flexibilidad que las tradicionales compuertas de conmutación electrónica, porque funciona como una combinación compuerta/expansor. En general las compuertas de conmutación electrónica son sólo adecuadas para un número limitado de usos (p.ej. conmutación electrónica de la percusión), pero la compuerta del 266XL actúa como un expansor moderado hacia abajo con ajustes de relación bajos (adecuados para vocalización, guitarra, programa mixto, etc.) y puede funcionar eficazmente como una compuerta de conmutación cuando se utiliza en ajustes de relación altos.

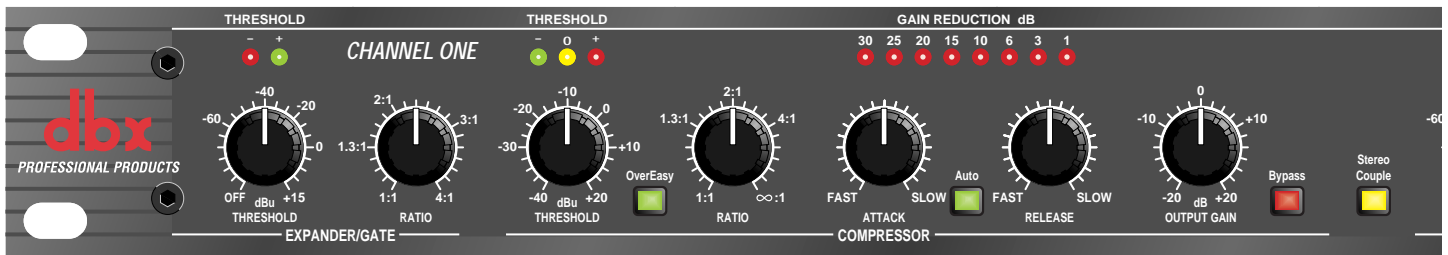
Aplicaciones comunes de compuertas:

- Gating para sonidos de percusión secos (p.ej. tambor pequeño, bombo)
- Gating para sonidos que tienen una amortiguación más larga (p.ej. platillo, piano)
- Gating para zumbido o ruido confuso de instrumentos en directo o pistas grabadas.
- Expansión hacia abajo para reducir el ruido por debajo de sonidos fluidos (p.ej. voces, instrumentos de madera).

Refiérase a las páginas siguientes para realizar sus ajustes iniciales. Estos ajustes han de bastar para la compresión y el gating tradicionales. Sin embargo, el 266XL puede hacer muchos cambios más en relación con la calidad del sonido. Recomendamos que experimente con los controles del 266XL. Utilice nuestros ajustes indicados y trabaje con ellos, luego ensaye ajustes totalmente diferentes y pruebe combinaciones poco ortodoxas en los controles del compresor y de la compuerta. Podrá sentirse muy sorprendido por lo que escuche, pero lo mejor de todo es que puede crear la calidad perfecta de sonido para sus propias necesidades.

266XL Compressor / Gate

CONTROLES



Panel frontal

Conmutador y LED STEREO COUPLE

Este conmutador de acoplamiento estéreo pone en funcionamiento el 266XL para operación estéreo o mono dual. Presionar el conmutador STEREO COUPLE para obtener operación en estéreo cuando el Canal 1 se transforma en combinador maestro para ambos canales. Todos los controles, conmutadores y LEDs del Canal 2 quedarán inactivados (salvo el medidor GAIN REDUCTION del Canal 2, puesto que éste es el esclavo).

Cuando el conmutador STEREO COUPLE está afuera, la unidad funciona como dos compresores/compuertas mono separados, cada uno con sus propios controles independientes.

El LED rojo STEREO COUPLE indica que el 266XL está conectado en acoplamiento estéreo.

Conmutador y LED BYPASS

Presione este conmutador para derivar los controles del panel frontal, cancelando las funciones de compresión y de compuerta y de las graduaciones de amplificación del 266XL. La señal de entrada sigue presente en la salida del 266XL, pero no está alterada por los controles del mismo. La función BYPASS es muy útil para hacer comparaciones entre señales procesadas y no procesadas. Observe que con la operación estéreo (cuando el conmutador STEREO COUPLE está oprimido) el conmutador BYPASS del Canal 1 controla ambos canales.

El LED rojo de BYPASS se enciende cuando está activada la función BYPASS.

Medidor GAIN REDUCTION (dB)

Este medidor de reducción de ganancia indica la cantidad de la señal de entrada atenuada por el compresor o el expansor/compuerta del 266XL. Cuando están activos tanto el compresor como el expansor/compuerta el medidor presenta la cantidad máxima de reducción de ganancia para la función que sea mayor - compresor o expansor/compuerta.

Control OUTPUT GAIN (dB)

Este control de ganancia de salida gradúa la ganancia general del 266XL de -20dB a +20dB. Este control OUTPUT GAIN es muy útil para compensar la disminución de nivel RMS, que es el resultado de los efectos de procesamiento dinámico del 266XL. Después de haber ajustado los controles del 266XL para la cantidad de compresión deseada, ponga en funcionamiento el OUTPUT GAIN para añadir la misma cantidad de ganancia que se indica en los medidores GAIN REDUCTION. Por ejemplo, si la cantidad promedio de reducción de ganancia que se indica en los medidores es 10 dB, entonces si se gradúa el control OUTPUT GAIN en +10dB, esto compensará el nivel promedio de 10dB de reducción en la salida.

Nota: las graduaciones del control del compresor y del expansor/compuerta del 266XL son interactivos y pueden afectar la ganancia, de modo que hay que tener en cuenta los niveles de playback.

SECCION COMPRESSOR

Nota: Si se gradúa la relación del compresor en 1:1 se desconecta el compresor, independientemente de la graduación del control THRESHOLD del compresor y del estado del LED -/0/+. Si se pone el control THRESHOLD del compresor en +20dB se impide que todas las crestas, salvo las de nivel más alto, sean comprimidas.

Conmutador OVEREASY®

Pulse este conmutador para seleccionar la característica de compresión OverEasy®. El LED amarillo THRESHOLD se ilumina cuando la señal está en la región OverEasy. Cuando el conmutador está desconectado, el 266XL funciona como compresor de codo y el LED amarillo no se ilumina.

Control COMPRESSOR THRESHOLD y LEDs -/0/+:

Ajuste este control para fijar el umbral de compresión entre -40dB y +20dB. En el modo de codo, el umbral de compresión queda definido como el punto por encima del cual el nivel de salida ya no cambia en una base 1:1 con cambios en el nivel de entrada.

En el modo OverEasy el umbral de compresión queda definido como el centro de la región umbral OverEasy, es decir, “a medio camino” hacia la compresión.

Los tres LEDs THRESHOLD indican la relación del nivel de la señal de entrada al umbral de compresión. El LED verde se ilumina cuando la señal está por debajo del umbral y el LED rojo se ilumina cuando la señal está por encima del umbral y el LED amarillo se ilumina cuando el conmutador OVEREASY está desconectado y la señal de entrada está en la gama OVEREASY.

La compresión OverEasy del 266XL permite obtener una compresión muy fluida y de sonido natural sin artefactos, debido al cambio gradual de la compresión en torno al umbral. Con la compresión OverEasy la señales de entrada empiezan a activar gradualmente la circuitería interna de cambio de ganancia a medida que se van acercando al nivel de referencia THRESHOLD. No son procesados completamente por los controles RATIO, ATTACK y RELEASE hasta que no hayan pasado ligeramente por encima del nivel de referencia THRESHOLD. Cuando el nivel de señal pasa el nivel THRESHOLD el procesamiento aumenta hasta que queda completamente procesado en la magnitud determinada por las graduaciones de los controles.

En el modo de codo el 266XL puede proporcionar efectos abruptos de compresión y también aplicaciones de limitación dura. Observe que cuando está en el modo de codo, el LED amarillo no se iluminará cuando la señal de entrada pasa a través del umbral. O bien la señal está siendo comprimida (por encima del umbral) o no está siendo comprimida (por debajo del umbral).

Nota: Aunque se aplique ninguna señal de entrada, es normal que los LEDs empiecen a centellear cuando se aplica o se quita potencia.

Control COMPRESSOR RATIO:

Ajuste este control para determinar la cantidad de compresión aplicada a la señal de entrada. La rotación de este control en el sentido de las agujas del reloj aumenta la

266XL Compressor / Gate

relación de compresión de 1:1 (sin compresión) hasta ∞ :1 (cuando el compresor puede ser considerado como un limitador de crestas, especialmente con graduaciones más rápidas de ATTACK).

Cuando una señal está por encima del nivel de referencia THRESHOLD, la graduación de RATIO determina el número de decibelios en los que la señal de entrada debe aumentar el nivel para producir un aumento de 1 dB en el nivel de señal en la salida del 266XL. Un ajuste de 2:1 indica una relación entrada/salida en que un aumento de 2dB en señal (por encima del umbral) producirá un aumento de 1 dB en la señal de salida. Un ajuste de ∞ :1 indica que se necesitaría un aumento infinito en el nivel de entrada para aumentar el nivel de salida en 1 dB.

Controles COMPRESSOR ATTACK y RELEASE:

El control ATTACK fija la cantidad de tiempo necesaria para que el 266XL empiece a comprimir una señal una vez que el detector haya percibido una señal sobre el umbral. La gama ATTACK va de FAST (rápido) (para un efecto de compresión más denso y notable con muy poca sobretensión) a SLOW (lento) (para una compresión más retardada y gradual). Una graduación ATTACK muy rápida llevará al 266XL a actuar como un limitador de crestas, aun cuando se utilice la circuitería de detección RMS. Graduaciones más lentas de ATTACK llevan al 266XL a actuar como un compresor/limitador tipo RMS o detector de promedios.

El control RELEASE determina cuán rápidamente el circuito de compresión hace retornar la señal de entrada a su nivel original. La velocidad de RELEASE va de FAST (rápido) (en que la compresión sigue muy de cerca a la envolvente del material del programa) hasta SLOW (lento) (para una compresión muy fluida).

No hay ninguna forma absolutamente correcta de graduar los controles ATTACK y RELEASE. Sin embargo, en general, hay que graduarlos lo más lento posible para evitar sonidos de bombeo o respiración, causados cuando los sonidos de fondo están modulados audiblemente por la energía dominante de la señal, pero al mismo tiempo la liberación debe ser lo suficientemente rápida para evitar una supresión de la señal deseada después de que se haya amortiguado una nota súbita transitoria o fuerte. Para tonos de frecuencia baja, (p.ej. guitarra baja) poner RELEASE y ATTACK en 2:0 o más lento.

Nota: los controles ATTACK y RELEASE funcionan juntos y en conjunto con el control RATIO. Se se cambia uno de los controles será quizás necesario cambiar también otro ajuste.

SECCION EXPANDER/GATE

Conmutador AUTO:

Este conmutador suplanta a ambos controles de ATTACK y RELEASE y capacita tiempos de ataque y liberación dependientes del programa fijados de antemano. Estos tiempos se derivan de la señal de entrada y cambian continuamente para equipararse con su dinámica. Con la capacitación de esta función AUTO se duplica el "clásico sonido dbx" de los antecesores del 1066, que se han transformado en normas de la industria.

Nota: el Expansor/Compuerta está desconectado cuando su THRESHOLD está puesto en OFF.

Control EXPANDER/GATE THRESHOLD y LEDs (-/+):

Cuando se ajusta este control se fija el nivel en que la compuerta se abrirá y permitirá a la señal de entrada pasar hasta la salida. Si se hace girar el botón de mando en contra del sentido de las agujas del reloj (hasta OFF), se le permite a la compuerta hacer pasar todas las señales sin atenuación, haciendo una derivación eficaz de la compuerta.

Si se hace girar el botón de mando en el sentido de las agujas del reloj, la compuerta atenúa las señales de entrada por debajo de +15dbu. La intensidad de la atenuación depende de la graduación del control EXPANDER/GATE RATIO.

Los dos LEDs - y + indican la relación del nivel de la señal de entrada al ajuste del umbral. El LED rojo "-" se ilumina cuando la señal está por debajo del umbral, El LED verde "+" se ilumina cuando la señal está por encima del umbral.

Control EXPANDER/GATE RATIO:

Este control determina la cantidad de atenuación aplicada a la señal de entrada una vez que se encuentre por debajo del umbral, y va de una expansión suave hacia abajo (apropiada para un programa mixto, canto, etc) a un efecto duro de gating (que puede ser útil para la percusión). Graduaciones bastante bajas del control RATIO y más altas del control EXPANDER/GATE THRESHOLD funcionan muy bien para una expansión hacia abajo, mientras que ajustes más altos de RATIO (hacer girar en sentido de las agujas del reloj hasta MAX) funcionan muy bien para el gating. Si un ajuste produce un efecto no deseado de bombeo, hay que reajustar los controles RATIO o THRESHOLD.

Nota: las tasas de ataque y liberación del expansor/compuerta dependen del programa. Son muy rápidas para material transitorio (p.ej. percusión) y más lentas para material con ataque lento (p.ej. canto).

Nota: un accionamiento rápido de compuerta con señales de baja frecuencia sostenidas puede dar como resultado una vibración ruidosa o "chattering". Para eliminar esta vibración ruidosa, ajuste simplemente el control RATIO. La graduación apropiada de THRESHOLD va a llevar también a un mínimo la activación falsa y la vibración ruidosa o "chattering".



Jacks de entrada INPUT (Canal 1 y 2):

Utilice clavijas jack de 6,3 mm para conectar estas entradas a su fuente. Los jacks de entrada del 266XL aceptan señales equilibradas o desequilibradas. La impedancia de entrada es $>40k\Omega$.

Jacks de salida OUTPUT (Canal 1 y 2):

Los jacks de salida aceptan clavijas jack equilibradas o desequilibradas de 6,3 mm. El nivel nominal de señal de salida es +4dBu y el nivel de salida máximo es $>+21dBu$. En el ajuste +4dBu la impedancia equilibrada de salida es 100Ω y la impedancia desequilibrada de salida es de 50Ω . Con una graduación de -10dBV la impedancia equilibrada de salida es $1k\Omega$ y la impedancia desequilibrada de salida es 500Ω .

Conmutador OPERATING LEVEL

Este conmutador selecciona entre un nivel de operación nominal de -10dBV a +4dBu. Cuando el conmutador está en la posición IN, se ha seleccionado un nivel de operación de -10dBV. Cuando está en la posición OUT se ha seleccionado un nivel de operación de +4dBu. Observe que el conmutador está ligeramente empotrado. Esto es para proporcionar protección contra una activación accidental, lo que puede causar daño a otros componentes del sistema, debido a un cambio súbito en ganancia.

Jack SIDECHAIN INSERT:

Este conector acepta clavijas jack estéreo de 6,3 mm y proporciona una conexión con la vía detectora del 266XL. El anillo actúa como salida, conectada con la entrada por intermedio de un circuito tampón, con una impedancia de $2k\Omega$. La punta actúa como retorno para alimentar la circuitería detectora del 266XL, con equipos tales como un ecualizador para atenuar sonidos sibilantes o una activación de compuerta/compresión sensible a la frecuencia. También se puede activar la entrada Sidechain del 266XL con la salida de la mayoría de los equipos, utilizando una clavija jack mono de 6,3 mm. La impedancia de entrada es mayor que $10k\Omega$.

Panel posterior

266XL Compressor / Gate

266XL Compressor / Gate

Tomacorriente CA tipo IEC

Conecte el cordón de alimentación CA (suministrado) en el 266XL. Conecte el otro extremo a una toma mural estándar. Ponga cuidado en que los cables de alimentación estén alejados de las líneas audio. Observe que el 266XL no tiene un conmutador de potencia. Se recomienda que el 266XL esté en "On" todo el tiempo. El consumo de corriente es bajo. Si se tiene la intención de no utilizar el 266XL durante un período largo, desconéctelo.



ATENCIÓN: Verifique que la tensión de línea suya sea la misma que el nivel de tensión indicado en el tomacorriente CA. La conexión a una fuente de alimentación inapropiada puede dar como resultado daños considerables que no están cubiertos por la garantía.



ADVERTENCIA: No quite nunca la cubierta. En el interior del aparato no hay piezas que para el usuario son de fácil mantenimiento técnico.

CONEXION DEL 266XL A SU SISTEMA

El 266XL puede ser utilizado con cualquier dispositivo de nivel de línea. Por ejemplo, con pupitres mezcladores, instrumentos musicales electrónicos, patchbays y procesadores de señales. Para todas las conexiones siga los pasos siguientes:

Desconecte todo el equipo antes de hacer cualquier conexión.

Monte el 266XL en un espacio de bastidor 1U (opcional)

El 266XL requiere 1 espacio de bastidor (altura) y 1 espacio de bastidor (ancho). Puede ser montado encima o debajo de cualquier cosa que no genere calor excesivo, puesto que no requiere de ventilación especial. La temperatura ambiente no debe exceder 45°C cuando el equipo está con corriente.

Haga las conexiones por medio de clavijas jack de 6,3 mm según sus propias necesidades:

Puntos típicos de interconexión pueden ser: un canal de mezclador o insedrts de subgrupos cuando se utiliza el 266XL para instrumentos o pistas individuales; las salidas principales del mezclador cuando se mezcla; un circuito de efectos de un preamplificador de instrumento cuando se utiliza el 266XL para guitarra o bajo; las salidas principales de un submezclador (p.ej. un mezclador de teclado) cuando la señal se envía al mezclador principal; entre una salida DAT y una entrada de casete análoga. Cuando se utiliza una cadena de procesadores el 266XL puede ser colocado antes o detrás de los efectos o los procesadores de dinámica. Le recomendamos que utilice su sentido común y que experimente con distintas configuraciones para ver cual de ellas le da los mejores resultados para sus necesidades.

Conecte el cordón de alimentación CA (suministrado con la unidad) al conector POWER en el panel posterior del 266XL y a una fuente de alimentación CA apropiada para conectar la unidad en ON.

APOYO TECNICO Y SERVICIO DE FABRICA

El 266XL es un producto completamente transistorizado con componentes elegidos por su alto rendimiento y excelente fiabilidad. Cada 266XL es ensayado y calibrado en la fábrica y no requiere ningún ajuste interno. Recomendamos que su 266XL sea enviado a la fábrica sólo después de haber consultado el Manual y el Servicio de Clientes de dbx.

Nuestro número de teléfono, de fax y nuestra dirección figuran en el dorso de este manual.

Cuando se ponga en contacto con el Servicio de clientes de dbx, sírvase estar preparado para describir con exactitud el problema. Conozca el número de serie de su aparato. Este figura en una pegatina adherida al panel lateral del mismo.

Nota: Se ruega consultar las condiciones de la garantía limitada de dos años que se extiende al primer usuario. Después del vencimiento de la garantía, se cobrará un costo razonable por piezas, trabajo y embalado si usted decide utilizar el Servicio técnico de la fábrica. En todos los casos es usted responsable por los costos de envío a la fábrica. dbx pagará los costos de envío al remitente si el aparato está bajo garantía.

Instrucciones de envío: utilice el material de embalaje original si todavía está disponible. Coloque en el paquete el nombre del expedidor y las siguientes palabras en rojo: DELICATE INSTRUMENT, FRAGILE! - INSTRUMENTO DELICADO, FRAGIL. Asegure el paquete en forma adecuada. Envíe con porte pagado y no pagadero al destino. No envíe por servicio de paquete postal.

TARJETA DE REGISTRO Y REACCIONES DE LOS USUARIOS

Agradeceríamos conocer sus reacciones. Después de haber tenido la oportunidad de usar su nuevo 266XL, tenga a bien completar la tarjeta de registro y devolverla.

266XL Compressor / Gate

SPECIFICATIONS / SPECIFICATIONS / TECHNISCHE DATEN / ESPECIFICACIONES

Note / Note / Anm. / Nota: 0dBu = 0.775VRMS
están sometidas a cambio.

Specifications are subject to change. / Les spécifications peuvent être modifiées. / Technische Änderungen vorbehalten. / Las especificaciones

Frequency Response / Réponse en fréquence / Frequenzgang / Respuesta de frecuencia

Flat 20Hz - 20kHz, +0, -0.5dB
Bandwidth 0.35Hz - 90kHz, +0, -3dB

Input (Balanced or Unbalanced) / Entrée (symétrique ou asymétrique) / Eingang (symmetrisch/asymmetrisch) / Entrada (equilibrada o desequilibrada)

Impedance >40kΩ
Max Level +22dBu

Output (Impedance Balanced) / Sortie (Impédance symétrique) / Ausgang (impedanzsymmetriert) / Salida (impedancia equilibrada)

Impedance + 4dBu: Balanced: 100Ω
Unbalanced: 50Ω
-10dBV: Balanced: 1kΩ
Unbalanced: 500Ω
Max Level >+21dBu, >+18dBm (into 600Ω)

Sidechain Insert / Insert Sidechain / Sidechain-Anschluss / Sidechain Insert

Input Impedance >10kΩ
Output Impedance 2kΩ
Max Input Level +22dBu
Max Output Level >+20dBu

Distortion + Noise

<0.2%; any amount of compression at 1kHz

Klirrfaktor + Rauschen

<0,2% bei jedem Kompressionsgrad bei 1 kHz

Distorsion + Bruit

<0,2%; tout taux de compression à 1kHz

Distorsión + ruido

<0,2%; cualquier cantidad de compresión a 1kHz

Intermodulation Distortion

<0.2% SMPTE

Distorsion Intermodulation

<0,2% SMPTE

Intermodulationsverzerrungen

<0,2% (SMPTE)

Distorsión de intermodulación

<0,2% SMPTE

Noise

<-93dB, unweighted (22kHz measurement bandwidth)

Bruit

<-93dB, non pondéré (22kHz)

Rauschen

<-93dB, unbewertet (22kHz Messbandbreite)

Ruido

<-93dB, no ponderado (ancho de banda de misura: 22kHz)

Dynamic Range

>114dB, unweighted

Dynamique

>114dB, non pondéré

Dynamikbereich

>114dB, unbewertet

Gama dinámica

>114dB, no ponderado

Interchannel Crosstalk

<-95dB, 20Hz to 20kHz

Diaphonie

<-95dB, 20Hz à 20kHz

Übersprechen zwischen Kanälen

<-95dB, 20Hz bis 20kHz

Diafonía entre los canales

<-95dB, 20Hz a 20kHz

Common Mode Rejection

>40dB, typically >55dB @ 1kHz

Réjection de Mode Commun

>40dB, typique >55dB @ 1kHz

Gleichtaktunterdrückung

>40dB, typisch >55dB bei 1kHz

Rechazo de modo común

>40dB, típico >55dB a 1kHz

Stereo Coupling

True RMS Power Summing™

Couplage Stéréo

Sommation en énergie

Stereokopplung

True RMS Power Summing™

Acoplamiento estéreo

True RMS Power Summing™

THRESHOLD

Compressor

OverEasy® or hard-knee; -40 to +20dBu

Expander/Gate

-60 to +10dBu

RATIO

Compressor

1:1 to Infinity:1

Expander/Gate

1:1 to 4:1

ATTACK Time

Compressor

Scalable Program-Dependent AutoDynamic™

Expander/Gate

<100µSec

RELEASE Time

Compressor

Scalable Program-Dependent AutoDynamic™

Expander/Gate

Program-Dependent

Operating Voltage

Tension

Netzspannung

Tensión de servicio

100VAC 50/60Hz; 120VAC 60Hz; 230VAC 50/60Hz

Power Consumption

15 Watts

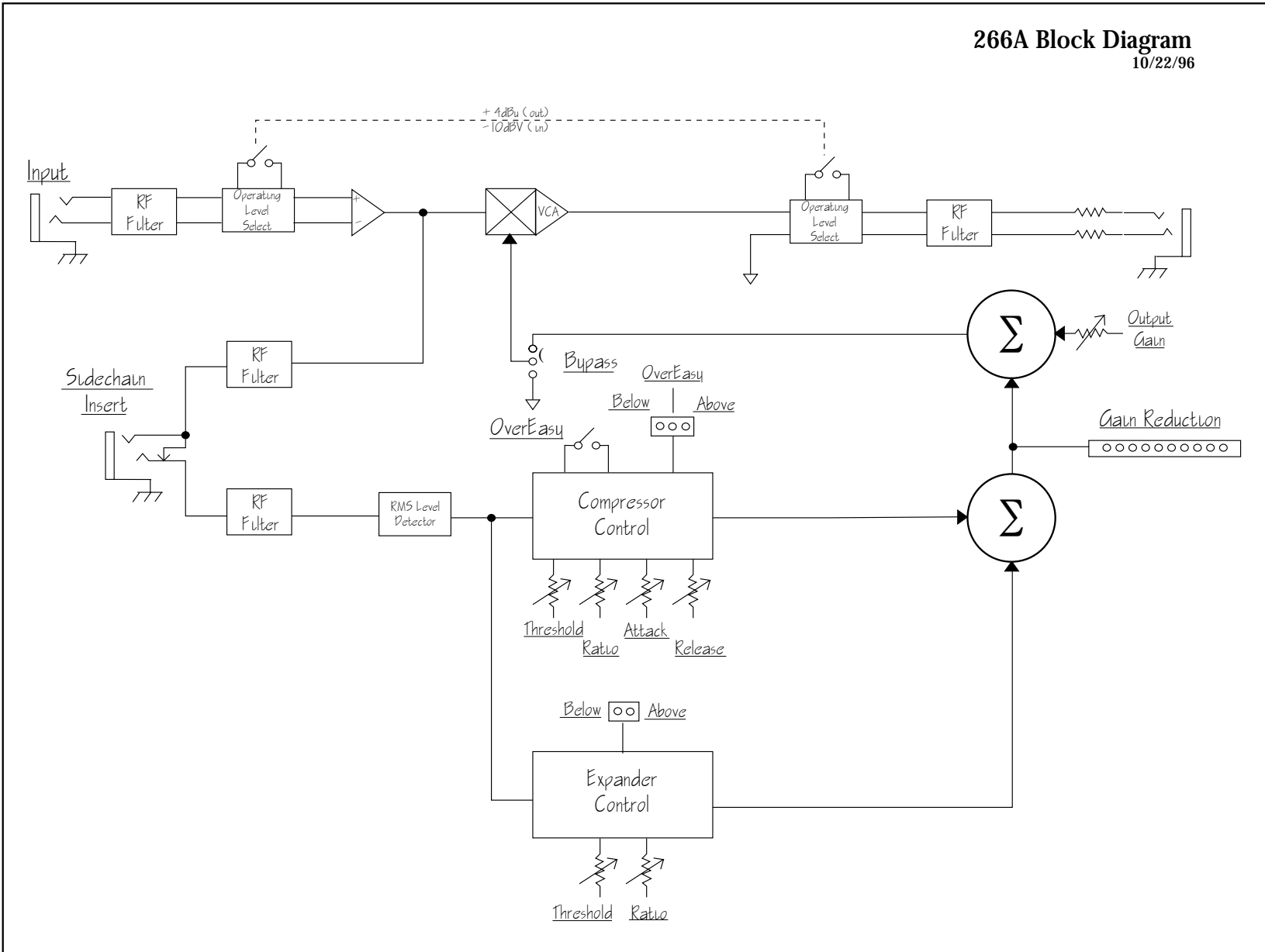
Consommation

Leistungsaufnahme

Consumo de energía

15W

Operating Temperature	32°F to 113°F
Température de fonctionnement	0°C à 45°C
Betriebstemperatur	0°C bis 45°C
Temperatura de funcionamiento	0°C a 45°C
Dimensions (H x D x W)	1.75" x 5.75" x 19"
Dimensions (H x P x L)	
Abmessungen (H x T x B)	
Dimensiones alto x prof x ancho)	45 x 146 x 485 mm
Weight	Net Weight: 4.84 lbs; Shipping Weight: 6.6 lbs
Poids	Poids Net : 2,19 kg; Poids brut : 2,99 kg
Gewicht:	2,19 kg netto; 2,99 kg brutto
Peso	peso neto: 2,19 kg; peso bruto: 2,99 kg





PROFESSIONAL PRODUCTS

8760 South Sandy Pkwy.

Sandy, Utah 84070

Phone: (801) 568-7660

Fax: (801) 568-7662

Int'l Fax: (219) 462-4596

E-mail: customer@dbxpro.com

World Wide Web: www.dbxpro.com

H A Harman International Company