

Cartridges mounting dimensions chart

Cartridge Dimensions Overview

This document provides an overview of cartridge dimensions and their measurement. The illustration below shows the reference points A–F, indicating where each dimension is taken.

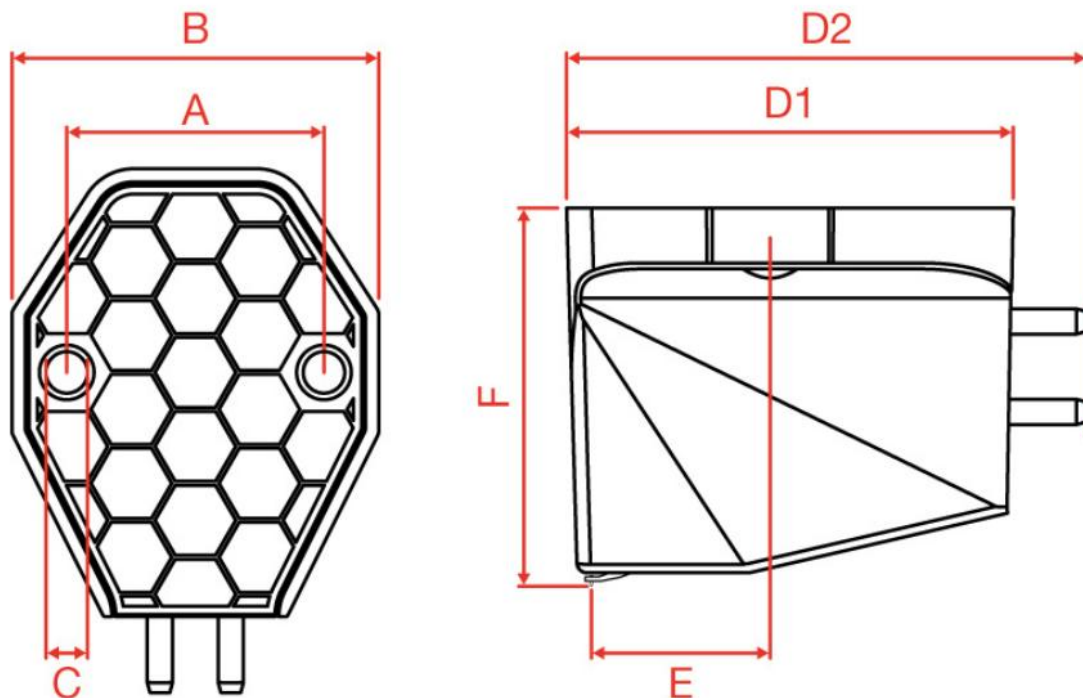
The following table lists the corresponding measurements for all Ortofon cartridges.

Definitions:

- **A** – Distance between centres of mounting holes
- **B** – Cartridge width
- **C** – Mounting hole diameter
- **D1** – Cartridge length *without* connector pins
- **D2** – Cartridge length *including* connector pins
- **E** – Distance from stylus tip to the centre of mounting holes
- **F** – Height from stylus tip to top cartridge mounting surface

Note:

For the MC Cadenza Series, MC Windfeld, MC Jubilee, MC Kontrapunkt Series, and MC Valencia, dimensions D1 and D2 are identical, as the connector pins are recessed into the cartridge body.



Cartridges mounting dimensions chart

CURRENT PRODUCT LINE

	A	B	C	D1	D2	E	F
<u>2M Series</u>	12.7 mm	18.5 mm	2.5 mm	24.0 mm	27.5 mm	9.5 mm	18.0 mm
<u>2MR Series</u>	12.7 mm	18.5 mm	2.5 mm	24.0 mm	27.5 mm	12.3 mm	14.5 mm
<u>OM and Super OM Series</u>	12.7 mm	16.0 mm	2.6 mm	24.0 mm	27.5 mm	9.5 mm	18.0 mm
<u>VNL Series</u>	12.7 mm	16 mm	2.8 mm	24.1 mm	27.3 mm	8.2 mm	18.0 mm
<u>MC Quintet Series</u>	12.7 mm	17.0 mm	2.5 mm	23.1 mm	26.9 mm	9.4 mm	19.2 mm
<u>MC X Series</u>	12.7 mm	18.1 mm	M2.5	22.1 mm	25.6 mm	8.5 mm	19.2 mm
<u>MC Cadenza Series</u>	12.7 mm	18.5 mm	2.5 mm	19.5 mm	19.5 mm	9.5 mm	18.0 mm
<u>MC Windfeld Ti</u>	12.7 mm	18.5 mm	2.5 mm	19.5 mm	19.5 mm	9.5 mm	18.0 mm
<u>MC A MONO</u>	12.7 mm	16.9 mm	2.5 mm	20.7 mm	22.9 mm	9.2 mm	19.0 mm
<u>MC Verismo</u>	12.7 mm	17.2 mm	2.5 mm	22.1 mm	24.1 mm	11.4 mm	18.2 mm
<u>MC Diamond</u>	12.7 mm	20.0 mm	2.5 mm	23.6 mm	27.4 mm	10.5 mm	18.0 mm
<u>SPU GM models</u>	-	-	-	52.0 mm	63.5 mm	-	-
<u>SPU G models</u>	-	-	-	52.0 mm	63.5 mm	-	-
<u>SPU N mounted on adaptor</u>	-	17.7 mm	-	-	-	11.0 mm	19.0 mm

Cartridges mounting dimensions chart

HISTORICAL PRODUCTS

	A	B	C	D1	D2	E	F
<u>MC 10/20/30</u>	12.7 mm	17.0 mm	2.5 mm	23.5 mm	26.5 mm	7.0 mm	19.0 mm
<u>MC 25 FL</u>	12.7 mm	17.0 mm	2.5 mm	23.0 mm	26.6 mm	9.0 mm	19.0 mm
<u>MC Kontrapunkt Series</u>	12.7 mm	18.5 mm	2.5 mm	19.5 mm	19.5 mm	9.5 mm	18.0 mm
<u>MC Jubilee</u>	12.7 mm	18.5 mm	2.5 mm	19.5 mm	19.5 mm	9.5 mm	18.0 mm
<u>MC Valencia</u>	12.7 mm	18.5 mm	2.5 mm	19.5 mm	19.5 mm	9.5 mm	18.0 mm
<u>MC Supreme Series</u>	12.7 mm	17.0 mm	2.5 mm	23.0 mm	26.6 mm	9.0 mm	19.0 mm
<u>MC 20 Super</u>	12.6 mm	17.0 mm	2.6 mm	23.5 mm	26.5 mm	8.5 mm	19.0 mm
<u>MC 30 Super MkII</u>	12.6 mm	17.0 mm	2.6 mm	23.0 mm	26.6 mm	8.5 mm	19.0 mm
<u>HMC Series</u>	12.7 mm	17.0 mm	2.6 mm	23.0 mm	26.5 mm	8.5 mm	19.0 mm
<u>MM 500 & 300 Series</u>	12.7 mm	16.0 mm	2.6 mm	20.5 mm	23.5 mm	9.5 mm	18.5 mm
<u>MC Vivo Series</u>	12.7 mm	16.0 mm	2.6 mm	22.5 mm	25.5 mm	9.5 mm	18.5 mm
<u>MC Dance Series</u>	12.7 mm	16.0 mm	2.6 mm	22.5 mm	25.5 mm	9.5 mm	18.5 mm
<u>MC Rondo Series</u>	12.7 mm	17.0 mm	2.5 mm	23.5 mm	27.3 mm	7.0 mm	20.0 mm
<u>MC A90 / MC A95</u>	12.7 mm	16.9 mm	2.5 mm	20.7 mm	22.9 mm	9.2 mm	19.0 mm
<u>MC Century</u>	12.7 mm	16.5 mm	2.5 mm	24.3 mm	28.0 mm	9.5 mm	18.5 mm
<u>MC Windfeld</u>	12.7 mm	18.5 mm	2.5 mm	19.5 mm	19.5 mm	9.5 mm	18.0 mm

Cartridges mounting dimensions chart

	A	B	C	D1	D2	E	F
MC Anna/MC Anna Diamond	12.7 mm	20.0 mm	2.5 mm	23.6 mm	27.4 mm	10.5 mm	18.0 mm
MC High Output Turbo Series	12.7 mm	16.0 mm	2.6 mm	20.5 mm	23.5 mm	9.5 mm	18.5 mm
SPU A models	-	-	-	36.2 mm	-	-	-