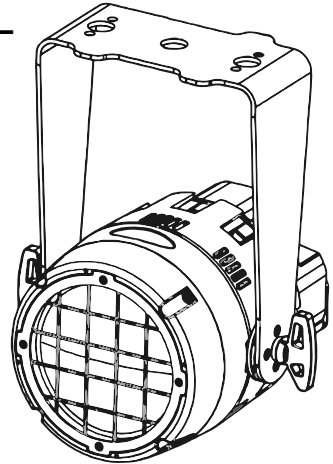


series



USER MANUAL

BlindONE



CONTENTS

CONTENTS	2
INTRODUCTION	2
SAFETY INFORMATION	3
UNPACKING	4
INSTALATION	5
CONNECTION	6
POWER CABLE CONNECTION.....	7
CONTROL PANEL	8
MAIN MENU	9
DMX CHANNEL	12
MAINTENANCE	35
GENERAL TROUBLESHOOTING	36
SPECIFICATION	37
DRAWINGS	38
PHOTOMETRICS	39

INTRODUCTION

We are glad that you have chosen **Flash ART BlindONE**, thereby expanding your lighting fixtures workshop. We hope that the choice of this device will meet your expectations and stimulate creativity in subsequent lighting projects.

FOR SAFETY REASONS AND TO ENSURE THE TROUBLE-FREE OPERATION,
CAREFULLY READ THE INSTRUCTIONS.

SAFETY INFORMATION



IMPORTANT! All users must strictly follow the warnings and operation instructions described in this manual. Any damage caused by improper operation or misuse is not covered by warranty. The distributor is not responsible for failures or malfunctions resulting from disregarding the user manual. The manufacturer reserves the right to introduce technical modifications without prior notice.



IMPORTANT! Inspection upon delivery. After receiving the product, please unpack it carefully and inspect for any possible transport damage. If any damage is found, do not use the fixture and contact your distributor or the manufacturer immediately.



IMPORTANT! Operating conditions. The BlindONE is designed for indoor and outdoor use (protection class Ip65). Keep the fixture clean and avoid using it in environments with excessive humidity or dust. A regular inspection and cleaning should be performed at least every three months.

WARNING! Installation and safety warnings. Do not install the fixture directly on flammable surfaces. Do not aim the light output directly at combustible materials.



WARNING! Maintain a minimum distance of 3 meters between the fixture and the illuminated object.

WARNING! Never look directly into the light source – this may cause eye injury, especially for people with photosensitive epilepsy.



WARNING! Installation, operation, and maintenance must be performed only by qualified personnel. All electrical connections must be carried out by persons holding the appropriate electrical certification. Power and installation. Before installation, ensure that the mains voltage matches the value specified on the nameplate. Each fixture must be properly grounded and installed in compliance with applicable safety standards. Do not connect this luminaire to external dimmers or modify its internal wiring. When suspended, always use the safety cable provided – pass it through the handle or structural mounting point.



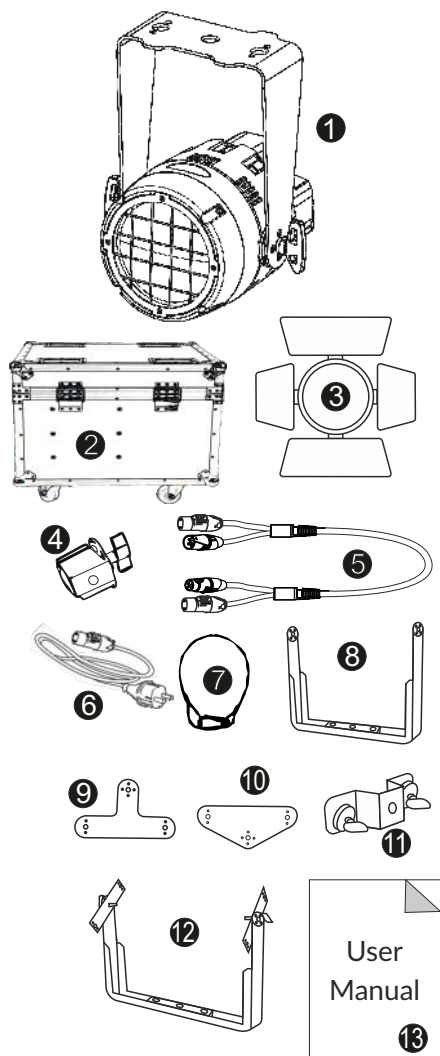
IMPORTANT! If the LED lens or front glass becomes scratched or cracked, it must be replaced immediately.

IMPORTANT! Operating temperature. After 5 minutes of operation, the external housing temperature may reach approximately 45°C, and after extended use up to 60°C. Use caution when handling the fixture.



IMPORTANT! Servicing and maintenance. There are no user-serviceable parts inside the fixture. Do not open the housing or make any modifications to the structure. Before powering on, verify that all covers and protective plates are securely fastened, and that all screws are properly tightened. Never operate the unit with the housing open.

If you have any questions, technical issues, or feedback, please contact your authorized distributor: customer-service@flash-butrym.pl



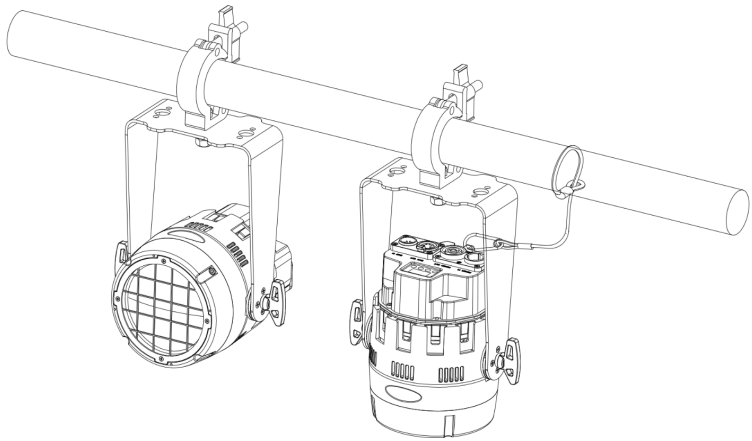
BlindONE SET

The following item
are included inside the case:

- ❶ - BlindONE (8pcs)
- ❷ - Case (1pc)
- ❸ - Barndoor (8pcs)
- ❹ - Device Connectors (16pcs)
- ❺ - DMX/TRU1 Combo Cable (7pcs)
- ❻ - Power Cable TRU1
- ❼ - Safety cable (8pcs)
- ❽ - Bracket for mounting two devices side by side (2pcs)
- ❾ - Special adapter for classic 4 (4pc)
- ❿ - Triangle adapter (2pcs)
- ⓫ - Omega bracket (8pcs)
- ⓬ - Bracket for mounting up to 7 devices simultaneously (1pc)
- ⓭ - User Manual

Please keep this User Manual for future consultation. If you sell the fixture to another user, be sure that they also receive this instruction booklet.

INSTALATION



The Flash ART BlindONE device is equipped with a variety of connectors and mounts that allow for modular connection and mounting to structures. Always ensure the device is securely mounted to prevent vibration or slippage during operation. Ensure that the structure to which the device is attached is stable and can support at least ten times its weight.

Mount the device on a truss, tripod, or support structure using the included brackets and appropriate clamps. Attach the safety cable between the support structure and the mounting point on the luminaire. The safety cable must support at least ten times the device's weight. The fixture can be mounted in any orientation. However, if mounted horizontally with the beam directed downward, water may collect in recesses of the housing. During normal operation, this moisture will evaporate. In areas with heavy rainfall, a rain shield can be installed over the fixture, or its position and orientation can be adjusted to minimize water accumulation.

When mounting BlindONE modules in various configurations, do not connect more than a 2x2 matrix. If you need to connect more than two fixtures vertically, attach the next fixture below the two already mounted. Always ensure that brackets and connectors are properly secured.

Regardless of which mounting option you have chosen for our device, always remember to secure the device with a security cable. The fixture provides a built-in security cable attachment point on the hanging bracket as shown above. Remember to only use the designated safety cable attachment point and never attach the safety cable to the carrying handle.

IMPORTANT! If play is detected between the towbar and the device, immediately tighten the mounting screws or omit the device during installation.

The device is equipped with a DMX interface (input/output): a 5-pin XLR socket. Connection is via a cable with XLR-female to XLR-male plugs.

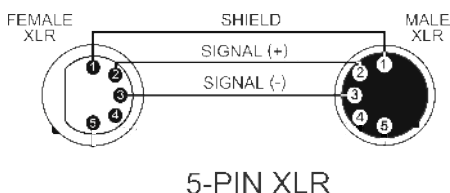
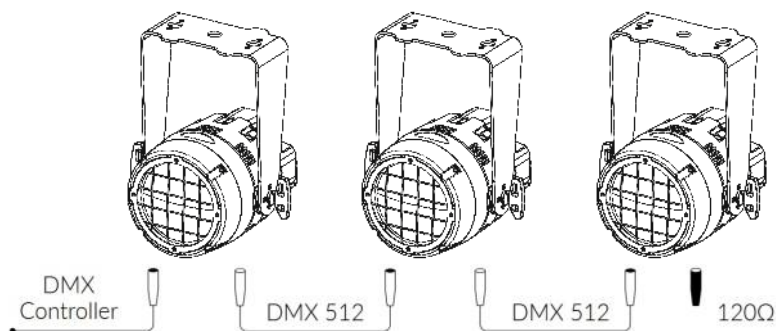
To reduce signal errors and avoid signal attenuation or interference during transmission, add a 120 Ohm 1/4 W resistor between pins 2 and 3 of the last fixture's DMX output.

Connect the fixture using an XLR signal cable:

- Connect one end of the cable to the output port of the fixture.
- Connect the other end to the input port of the next fixture.

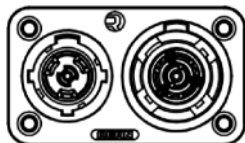
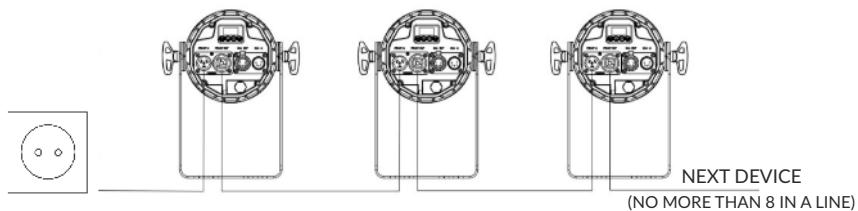
Signal wires should be connected in series only, not in parallel. Due to the very high transmission speed of the DMX512 signal, any damage to the signal cable, poor soldering, or poor contact can affect transmission and cause the entire system to malfunction. When the device is powered down, the DMX output and input are bypassed to maintain DMX line connectivity.

Each lighting fixture must have a unique address code and be able to receive information from the console. The DMX512 end of the system must be equipped with a terminator to reduce transmission errors.



CAUTION! At the last fixture, the DMX signal has to be terminated with a terminator. Solder a 120Ω resistor between SIGNAL (-) and SIGNAL (+) into a XLR plug and plug it in the DMX output of the last fixture.

POWER CABLE CONNECTION

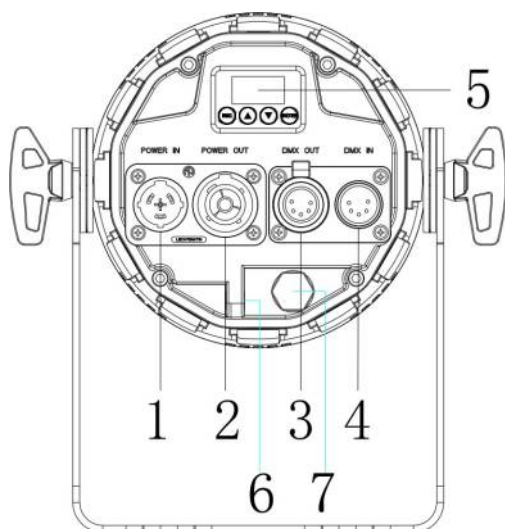


This product uses power in/out
Connect the power cord hand-in-hand
Note: One 1.5 square power cord due to
power Pack up to 8 (230V).



Do not connect too many lamps with a single power cord, or overload the work.
Do not use the power cord whose insulation layer has been damaged, and do not put the power cord on other wires.

When the lamp is not in use or clean, please remove the power cord.
Do not unplug or drag the power cord while the device is operating.



Device Interfaces and Components

1. POWER INPUT – IP65 waterproof connector, input voltage: 100–240 V, 50/60 Hz
2. POWER OUTPUT – IP65 waterproof connector, output voltage: 100–240 V, 50/60 Hz
3. DMX INPUT – IP65 3-pin waterproof connector, DMX signal input
4. DMX OUTPUT – IP68 3-pin waterproof connector, DMX signal output
5. CONTROL MENU PANEL – user interface for device settings
6. SAFETY HOOK – mounting safety hook for secure installation
7. BREATHER VALVE – prevents condensation and balances internal pressure

Panel function operation table below:

Features	Instructions	Function description	Function
ESC (function key)	Menu selection	Go to the menu selection function	Menu operation
↑(topkey)	Up	Go to the previous option	Change parameters Increase
↓(downkey)	Under	Go to the latter option	Change parameter Reduce
ENTER (confirm key)	Confirm	Confirm the selected function	Save the final parameters

MAIN MENU

MENU 1 LEVEL	MENU 2 LEVEL	MENU 3 LEVEL	MENU 4 LEVEL	MENU 5 LEVEL
DMX ADDRESS	001 - 512			
CHANEL MODE	1 CH DWE			
	4 CH DWE			
	9 CH DWE+			
	5 CH STROBE			
	3 CH RBG			
	10 CH BASIC RGB			
	14 CH BASIC RGB			
	8 CH STANDARD RGB			
	12 CH STANDARD RGB			
	15 CH EXTENDED RGB			
	19 CH EXTENDED RGB			
	5 CH DIRECT			
	12 CH DIRECT			
	17 CH DIRECT			
	23 CH DIRECT			
STAND ALONE	STOP STAND ALONE			
	AUTO	STOP PROGRAM		
		EFFECT 1 - 10	DIM 000 - 100	
			SPEED 001 - 100	
	COLOR MACRO	COLOR OFF		
		COLOR MACROS	RED, FIRE, BRIGHT RED, PRIMARY RED, MED AMBER, DARK AMBER, DEEP AMBER, ORANGE, DEEP GOLDEN AMBER, YELLOW, GREEN, LIME GREEN, MOSS GREEN, LEE GREEN. PRIMARY GREEN, JAS GREEN, JADE, BLUE, SKY BLUE, TOKYO BLUE, LIGHT BLUE, MARINE BLUE, MED BLUE, CONGO BLUE, MIKKEL BLUE, ROSE PINK, MED PINK, LIGH LAVENDER, LAVENDER, MAGENTA, MAUVE, SMOKEY PINK, SPCL MED LAVENDER, ULTIMATE VIOLET, MAGICAL MAGENTA, CRYSTALIS PINK, SPECIAL KH LAVENDER, BULB WHITE, HALOGEN WHITE, NATURAL WHITE, DAYLIGHT WHITE, COLD WHITE I, COLD WHITE II, WHITE, AMBER,	
		DIMMER	000 - 100	
	QUICK COLOR	DIMMER	000 - 100	
		SHUTTER	000 - 255	
		RED	000 - 255	
		GREEN	000 - 255	
		BLUE	000 - 255	
		AMBER	000 - 255	
		WHITE	000 - 255	
	TUNABLE WHITE	DIMMER	000 - 100	
		SHUTTER	000 - 255	
		CTC	2000K - 10000K	

		TINT	127 - -128	
	USER COLOR	COLOR 1 - COLOR 5	DIMMER	000 - 100
			RED	000 - 255
			GREEN	000 - 255
			BLUE	000 - 255
			AMBER	000 - 255
			WHITE	000 - 255
	COLOR SETTINGS	FACTORY CALIBRATION		
		RAW		
MASTER/SLAVE	MASTER			
	SLAVE			
SETTINGS	DISPLAY	DISPLAY FLIP	OFF / ON	
		BACKLIGHT	OFF / ON	
		AUTO LOCK	OFF / ON	
	STARTUP MODE	DMX		
		AUTO LOCK		
		COLOR MACRO		
		QUICK COLOR		
		TUNABLE WHITE		
		USER COLOR		
	DMX FAIL	HOLD		
		BLACKOUT		
		EMERGENCY LIGHT		
	DIMMER CURVE	LINEAR		
		EXPONENTIAL		
		LOGARITHMIC		
		S-CURVE		
	DIMMER RESPONSE	LED		
		MEDIUM		
		HALOGEN1		
		HALOGEN2		
		HALOGEN3		
	DTW SWITCH	OFF / ON		
	RAW BALANCE	RAW		
		USER CALIBRATED	RED 1	
			GREEN 1	
			BLUE 1	
			AMBER 1	
			WHITE 1	

	LED FREQUENCY	800Hz - 2500Hz		
	FAN	AUTO		
		SILENT		
		FAN OFF		
		MAX. POWER		
	TRANSFER SETTING	DMX INCL. ADDR		
		DMX WITHOUT ADDR		
	POWER SETTING	ILLUMINATION		
		BOOST		
	FACTORY	FACTORY RESET	NO / YES	
		USER RESET	NO / YES	
		USER RESET LIST	DMX MODE	ALL DXM MODE LIST
			COLOR SETTINGS	ALL COLOR SETIN LIST
			DISPLAY FLIP	OFF / ON
			BACKLIGHT	OFF / ON
			AUTO LOCK	OFF / ON
			STARTUP MODE	ALL STARTUP MODE
			DMX FAIL	ALL DMX FAIL LIST
			DIMMER CURVE	ALL DIM. CURVE LIST
			DIMMER RESP	ALL DIM. RESP LIST
			RAW BALANCE	ALL RAW BAL. LIST
			LED FREQUENCY	ALL LED FREQ. LIST
			FAN	ALL FAN LIST
			LED MODE	ALL POWER SETTING
LANGUAGE	CHINA			
	ENGLISH			
PASSWORD	ON			
	OFF			
SYSTEM INFO	SOFTWARE VERSION			
	SERIES CODE			
	RDM ID			
	TEMPERATURE			
	FAN SPEED			
	POWER ON TIME			
	LED ON TIME			
	WARNING			



1. Only one machine can be set as the host in the same signal line. Please remove the DMX control signal when using the host function
2. In the synchronous control of multiple lamps can be transferred from the host parameters include: DMX channel mode, display setting state, operating mode state (including user program data), for parameter transfer, please set the machine as the host, other machines set as the slave machine.

DMX CHANNEL TABLE

1ch DWE					
Ch	Function	Value	Description	Default	Highlight / locate
1	Dimmer	0-255	Dimmer	0	255

4ch DWE					
Ch	Function	Value	Description	Default	Highlight / locate
1	Dimmer	0-255	Dimmer	0	255
2	Dimmer curve	0-51 52-101 102-152 153-203 204-255	No function Linear dimmer curve Exponential dimmer curve Logarithmic dimmer curve S-curve dimmer curve	0	-
3	Dimmer speed	0-63 64-127 128-191 192-255	No function LED - fast Medium Halogen - slow	0	-
4	Red shift	0-84 85-170 171-255	No function Redshift Off Redshift On	0	-

9ch DWE+					
Ch	Function	Value	Description	Default	Highlight / locate
1	Dimmer	0-255	Dimmer	0	255
2	Shutter	0-19 20-24 25-64 65-69 70-84 85-89 90-104 105-109	Close Open Strobe Open Pulse open Open Pulse close Open	255	255

		110-124 125-129 130-144 145-149 150-164 165-169 170-184 185-189 190-204 205-209 210-224 225-229 230-244 245-255	Random strobe Open Random pulse open Open Random pulse close Open Burst pulse Open Random burst pulse Open Sin wave Open Burst Open		
3	Red	0-255		255	255
4	Green	0-255		255	255
5	Blue	0-255		255	255
6	CTC	0-4 5-255	No function 2000K - 10 000K	0	0
7	Dimmer curve	0-51 52-101 102-152 153-203 204-255	No function Linear dimmer curve Exponential dimmer curve Logarithmic dimmer curve S-curve dimmer curve	0	-
8	Dimmer speed	0-63 64-127 128-191 192-255	No function LED - fast Medium Halogen - slow	0	-
9	Red shift	0-84 85-170 171-255	No function Redshift Off Redshift On	0	-

5ch strobe					
Ch	Function	Value	Description	Default	Highlight / locate
1	Dimmer	0-255	Dimmer	0	255
2	Shutter	0-19 20-24 25-64 65-69 70-84 85-89 90-104 105-109	Close Open Strobe Open Pulse open Open Pulse close Open	255	255

		110-124 125-129 130-144 145-149 150-164 165-169 170-184 185-189 190-204 205-209 210-224 225-229 230-244 245-255	Random strobe Open Random pulse open Open Random pulse close Open Burst pulse Open Random burst pulse Open Sin wave Open Burst Open		
3	Strobe duration	0-255		255	255
4	Dimmer beam	0-255		255	255
5	CTC	0-4 5-255	No function 2000K - 10 000K	0	0

3ch RGB					
Ch	Function	Value	Description	Default	Highlight / locate
1	Red	0-255		0	255
2	Green	0-255		0	255
3	Blue	0-255		0	255

10ch Basic RGB					
Ch	Function	Value	Description	Default	Highlight / locate
1	Dimmer	0-255	Dimmer	0	255
2	Shutter	0-19	Close	255	255
		20-24	Open		
		25-64	Strobe		
		65-69	Open		
		70-84	Pulse open		
		85-89	Open		
		90-104	Pulse close		
		105-109	Open		
		110-124	Random strobe		
		125-129	Open		

		130-144 145-149 150-164 165-169 170-184 185-189 190-204 205-209 210-224 225-229 230-244 245-255	Random pulse open Open Random pulse close Open Burst pulse Open Random burst pulse Open Sin wave Open Burst Open		
3	Red	0-255		255	255
4	Green	0-255		255	255
5	Blue	0-255		255	255
6	CTC	0-4 5-255	No function 2000K - 10 000K	0	0
7	Tint	0-255		128	-
8	Color macro	0-5 6-161 162-255	No function Colors Colors change	0	0
9	Color macro speed	0-255		0	-
10	Control	0-29 30-34 35-39 40-44 45-49 50-54 55-59 60-64 65-69 70-74 75-79 80-84 85-89 90-94 95-99 100-104 105-109 110-114 115-119 120-124 125-129 130-134 135-139	No function Display on (hold 3s) Display off (hold 3s) No function DMX fail blackout DMX fail hold DMX fail emergency No function Dimmer curve - linear Dimmer curve - exponential Dimmer curve - logarithmic Dimmer curve - S-Curve No function Dimmer speed LED - fast Dimmer speed medium Dimmer speed halogen - slow No function Redshift on (hold 5s) Redshift off (hold 5s) No function Full calibration CCT calibration No function	0	-

	140-144	LED frequency 800Hz (hold 3s)		
	145-149	LED frequency 1200Hz (hold 3s)		
	150-154	LED frequency 2000Hz (hold 3s)		
	155-159	LED frequency 3600Hz (hold 3s)		
	160-164	LED frequency 12kHz (hold 3s)		
	165-169	LED frequency 25kHz (hold 3s)		
	170-174	No function		
	175-179	Fan speed auto		
	180-184	Fan speed silent		
	185-189	Fan speed off		
	190-194	Fan speed full		
	195-199	No function		
	200-204	No function		
	205-209	No function		
	210-214	No function		
	215-219	Power mode normal		
	220-224	Power mode boost		
	225-229	No function		
	230-234	Factory reset		
	235-239	User reset		
	240-255	No function		

14ch Basic RGB					
Ch	Function	Value	Description	Default	Highlight / locate
1	Dimmer	0-255	Dimmer	0	255
2	Dimmer fine	0-255	Dimmer 16-bit	0	255
3	Shutter	0-19 20-24 25-64 65-69 70-84 85-89 90-104 105-109 110-124 125-129 130-144 145-149 150-164 165-169 170-184	Close Open Strobe Open Pulse open Open Pulse close Open Random strobe Open Random pulse open Open Random pulse close Open Burst pulse	255	255

		185-189 190-204 205-209 210-224 225-229 230-244 245-255	Open Random burst pulse Open Sin wave Open Burst Open		
4	Red	0-255	Red	255	255
5	Red fine	0-255	Red 16-bit	255	255
6	Green	0-255	Green	255	255
7	Green fine	0-255	Green 16-bit	255	255
8	Blue	0-255	Blue	255	255
9	Blue fine	0-255	Blue 16-bit	255	255
10	CTC	0-4 5-255	No function 2000K - 10 000K	0	0
11	Tint	0-255		128	-
12	Color macro	0-5 6-161 162-255	No function Colors Colors change	0	0
13	Color macro speed	0-255		0	-
14	Control	0-29 30-34 35-39 40-44 45-49 50-54 55-59 60-64 65-69 70-74 75-79 80-84 85-89 90-94 95-99 100-104 105-109 110-114 115-119 120-124 125-129 130-134 135-139 140-144	No function Display on (hold 3s) Display off (hold 3s) No function DMX fail blackout DMX fail hold DMX fail emergency No function Dimmer curve - linear Dimmer curve - exponential Dimmer curve - logarithmic Dimmer curve - S-Curve No function Dimmer speed LED - fast Dimmer speed medium Dimmer speed halogen - slow No function Redshift on (hold 5s) Redshift off (hold 5s) No function Full calibration CCT calibration No function LED frequency 800Hz (hold 3s)	0	-



	145-149	LED frequency 1200Hz (hold 3s)		
	150-154	LED frequency 2000Hz (hold 3s)		
	155-159	LED frequency 3600Hz (hold 3s)		
	160-164	LED frequency 12kHz (hold 3s)		
	165-169	LED frequency 25kHz (hold 3s)		
	170-174	No function		
	175-179	Fan speed auto		
	180-184	Fan speed silent		
	185-189	Fan speed off		
	190-194	Fan speed full		
	195-199	No function		
	200-204	No function		
	205-209	No function		
	210-214	No function		
	215-219	Power mode normal		
	220-224	Power mode boost		
	225-229	No function		
	230-234	Factory reset		
	235-239	User reset		
	240-255	No function		

8ch Standard RGB					
Ch	Function	Value	Description	Default	Highlight / locate
1	Dimmer	0-255	Dimmer	0	255
2	Shutter	0-19	Close	255	255
		20-24	Open		
		25-64	Strobe		
		65-69	Open		
		70-84	Pulse open		
		85-89	Open		
		90-104	Pulse close		
		105-109	Open		
		110-124	Random strobe		
		125-129	Open		
		130-144	Random pulse open		
		145-149	Open		
		150-164	Random pulse close		
		165-169	Open		
		170-184	Burst pulse		
185-189	Open				
190-204	Random burst pulse				
205-209	Open				

		210-224 225-229 230-244 245-255	Sin wave Open Burst Open		
3	Red	0-255		255	255
4	Green	0-255		255	255
5	Blue	0-255		255	255
6	CTC	0-4 5-255	No function 2000K - 10 000K	0	0
7	Tint	0-255		128	v
8	Control	0-29 30-34 35-39 40-44 45-49 50-54 55-59 60-64 65-69 70-74 75-79 80-84 85-89 90-94 95-99 100-104 105-109 110-114 115-119 120-124 125-129 130-134 135-139 140-144 145-149 150-154 155-159 160-164 165-169 170-174 175-179 180-184 185-189 190-194 195-199 200-204 205-209	No function Display on (hold 3s) Display off (hold 3s) No function DMX fail blackout DMX fail hold DMX fail emergency No function Dimmer curve - linear Dimmer curve - exponential Dimmer curve - logarithmic Dimmer curve - S-Curve No function Dimmer speed LED - fast Dimmer speed medium Dimmer speed halogen - slow No function Redshift on (hold 5s) Redshift off (hold 5s) No function Full calibration CCT calibration No function LED frequency 800Hz (hold 3s) LED frequency 1200Hz (hold 3s) LED frequency 2000Hz (hold 3s) LED frequency 3600Hz (hold 3s) LED frequency 12kHz (hold 3s) LED frequency 25kHz (hold 3s) No function Fan speed auto Fan speed silent Fan speed off Fan speed full No function No function No function	0	-

		210-214	No function		
		215-219	Power mode normal		
		220-224	Power mode boost		
		225-229	No function		
		230-234	Factory reset		
		235-239	User reset		
		240-255	No function		

12ch Standard RGB					
Ch	Function	Value	Description	Default	Highlight / locate
1	Dimmer	0-255	Dimmer	0	255
2	Dimmer fine	0-255	Dimmer 16-bit	0	255
3	Shutter	0-19	Close	255	255
		20-24	Open		
		25-64	Strobe		
		65-69	Open		
		70-84	Pulse open		
		85-89	Open		
		90-104	Pulse close		
		105-109	Open		
		110-124	Random strobe		
		125-129	Open		
		130-144	Random pulse open		
		145-149	Open		
		150-164	Random pulse close		
		165-169	Open		
170-184	Burst pulse				
185-189	Open				
190-204	Random burst pulse				
205-209	Open				
210-224	Sin wave				
225-229	Open				
230-244	Burst				
245-255	Open				
4	Red	0-255	Red	255	255
5	Red fine	0-255	Red 16-bit	255	255
6	Green	0-255	Green	255	255
7	Green fine	0-255	Green 16-bit	255	255
8	Blue	0-255	Blue	255	255
9	Blue fine	0-255	Blue 16-bit	255	255
10	CTC	0-4	No function	0	0

		5-255	2000K - 10 000K		
11	Tint	0-255		128	-
12	Control	0-29	No function	0	-
		30-34	Display on (hold 3s)		
		35-39	Display off (hold 3s)		
		40-44	No function		
		45-49	DMX fail blackout		
		50-54	DMX fail hold		
		55-59	DMX fail emergency		
		60-64	No function		
		65-69	Dimmer curve - linear		
		70-74	Dimmer curve - exponential		
		75-79	Dimmer curve - logarithmic		
		80-84	Dimmer curve - S-Curve		
		85-89	No function		
		90-94	Dimmer speed LED - fast		
		95-99	Dimmer speed medium		
		100-104	Dimmer speed halogen - slow		
		105-109	No function		
		110-114	Redshift on (hold 5s)		
		115-119	Redshift off (hold 5s)		
		120-124	No function		
		125-129	Full calibration		
		130-134	CCT calibration		
		135-139	No function		
		140-144	LED frequency 800Hz (hold 3s)		
		145-149	LED frequency 1200Hz (hold 3s)		
		150-154	LED frequency 2000Hz (hold 3s)		
		155-159	LED frequency 3600Hz (hold 3s)		
		160-164	LED frequency 12kHz (hold 3s)		
		165-169	LED frequency 25kHz (hold 3s)		
		170-174	No function		
		175-179	Fan speed auto		
		180-184	Fan speed silent		
		185-189	Fan speed off		
		190-194	Fan speed full		
		195-199	No function		
		200-204	No function		
		205-209	No function		
		210-214	No function		
		215-219	Power mode normal		
		220-224	Power mode boost		
		225-229	No function		
		230-234	Factory reset		
		235-239	User reset		
		240-255	No function		

15ch Extended RGB					
Ch	Function	Value	Description	Default	Highlight / locate
1	Dimmer	0-255	Dimmer	0	255
2	Shutter	0-19	Close	255	255
		20-24	Open		
		25-64	Strobe		
		65-69	Open		
		70-84	Pulse open		
		85-89	Open		
		90-104	Pulse close		
		105-109	Open		
		110-124	Random strobe		
		125-129	Open		
		130-144	Random pulse open		
		145-149	Open		
		150-164	Random pulse close		
		165-169	Open		
		170-184	Burst pulse		
185-189	Open				
190-204	Random burst pulse				
205-209	Open				
210-224	Sin wave				
225-229	Open				
230-244	Burst				
245-255	Open				
3	Strobe duration	0-255		0	-
4	Red	0-255	Red	255	255
5	Green	0-255	Green	255	255
6	Blue	0-255	Blue	255	255
7	CTC	0-4	No function	0	0
		5-255	2000K - 10 000K		
8	Tint	0-255		128	-
9	Color macro	0-5	No function	0	0
		6-161	Colors		
		162-255	Colors change		
10	Color macro speed	0-255		0	-
11	Effects	0-15	No function	0	0
		16-39	Effect 1 slow-fast		

		40-63 64-87 88-111 112-135 136-159 160-183 184-207 208-231 232-255	Effect 2 slow-fast Effect 3 slow-fast Effect 4 slow-fast Effect 5 slow-fast Effect 6 slow-fast Effect 7 slow-fast Effect 8 slow-fast Effect 9 slow-fast Effect 10 slow-fast		
12	Dimmer curve	0-51 52-101 102-152 153-203 204-255	No function Linear dimmer curve Exponential dimmer curve Logarithmic dimmer curve S-curve dimmer curve	0	-
13	Dimmer speed	0-63 64-127 128-191 192-255	No function LED - fast Medium Halogen - slow	0	-
14	Red shift	0-84 85-170 171-255	No function Redshift Off Redshift On	0	-
15	Control	0-29 30-34 35-39 40-44 45-49 50-54 55-59 60-64 65-69 70-74 75-79 80-84 85-89 90-94 95-99 100-104 105-109 110-114 115-119 120-124 125-129 130-134 135-139 140-144 145-149 150-154	No function Display on (hold 3s) Display off (hold 3s) No function DMX fail blackout DMX fail hold DMX fail emergency No function Dimmer curve - linear Dimmer curve - exponential Dimmer curve - logarithmic Dimmer curve - S-Curve No function Dimmer speed LED - fast Dimmer speed medium Dimmer speed halogen - slow No function Redshift on (hold 5s) Redshift off (hold 5s) No function Full calibration CCT calibration No function LED frequency 800Hz (hold 3s) LED frequency 1200Hz (hold 3s) LED frequency 2000Hz (hold 3s)	0	-

	155-159	LED frequency 3600Hz (hold 3s)	
	160-164	LED frequency 12kHz (hold 3s)	
	165-169	LED frequency 25kHz (hold 3s)	
	170-174	No function	
	175-179	Fan speed auto	
	180-184	Fan speed silent	
	185-189	Fan speed off	
	190-194	Fan speed full	
	195-199	No function	
	200-204	No function	
	205-209	No function	
	210-214	No function	
	215-219	Power mode normal	
	220-224	Power mode boost	
	225-229	No function	
	230-234	Factory reset	
	235-239	User reset	
	240-255	No function	

19ch Extended RGB					
Ch	Function	Value	Description	Default	Highlight / locate
1	Dimmer	0-255	Dimmer	0	255
2	Dimmer fine	0-255	Dimmer 16-bit	0	255
3	Shutter	0-19	Close	255	255
		20-24	Open		
		25-64	Strobe		
		65-69	Open		
		70-84	Pulse open		
		85-89	Open		
		90-104	Pulse close		
		105-109	Open		
		110-124	Random strobe		
		125-129	Open		
		130-144	Random pulse open		
		145-149	Open		
		150-164	Random pulse close		
		165-169	Open		
		170-184	Burst pulse		
		185-189	Open		
		190-204	Random burst pulse		

		205-209 210-224 225-229 230-244 245-255	Open Sin wave Open Burst Open		
4	Strobe duration	0-255		0	-
5	Red	0-255	Red	255	255
6	Red fine	0-255	Red 16-bit	255	255
7	Green	0-255	Green	255	255
8	Green fine	0-255	Green 16-bit	255	255
9	Blue	0-255	Blue	255	255
10	Blue fine	0-255	Blue 16-bit	255	255
11	CTC	0-4 5-255	No function 2000K - 10 000K	0	0
12	Tint	0-255		128	-
13	Color macro	0-5 6-161 162-255	No function Colors Colors change	0	0
14	Color macro speed	0-255		0	-
15	Effects	0-15 16-39 40-63 64-87 88-111 112-135 136-159 160-183 184-207 208-231 232-255	No function Effect 1 slow-fast Effect 2 slow-fast Effect 3 slow-fast Effect 4 slow-fast Effect 5 slow-fast Effect 6 slow-fast Effect 7 slow-fast Effect 8 slow-fast Effect 9 slow-fast Effect 10 slow-fast	0	0
16	Dimmer curve	0-51 52-101 102-152 153-203 204-255	No function Linear dimmer curve Exponential dimmer curve Logarithmic dimmer curve S-curve dimmer curve	0	-
17	Dimmer speed	0-63 64-127 128-191 192-255	No function LED - fast Medium Halogen - slow	0	-
18	Red shift	0-84 85-170 171-255	No function Redshift Off Redshift On	0	-
19	Control	0-29	No function	0	-



	30-34	Display on (hold 3s)	
	35-39	Display off (hold 3s)	
	40-44	No function	
	45-49	DMX fail blackout	
	50-54	DMX fail hold	
	55-59	DMX fail emergency	
	60-64	No function	
	65-69	Dimmer curve - linear	
	70-74	Dimmer curve - exponential	
	75-79	Dimmer curve - logarithmic	
	80-84	Dimmer curve - S-Curve	
	85-89	No function	
	90-94	Dimmer speed LED - fast	
	95-99	Dimmer speed medium	
	100-104	Dimmer speed halogen - slow	
	105-109	No function	
	110-114	Redshift on (hold 5s)	
	115-119	Redshift off (hold 5s)	
	120-124	No function	
	125-129	Full calibration	
	130-134	CCT calibration	
	135-139	No function	
	140-144	LED frequency 800Hz (hold 3s)	
	145-149	LED frequency 1200Hz (hold 3s)	
	150-154	LED frequency 2000Hz (hold 3s)	
	155-159	LED frequency 3600Hz (hold 3s)	
	160-164	LED frequency 12kHz (hold 3s)	
	165-169	LED frequency 25kHz (hold 3s)	
	170-174	No function	
	175-179	Fan speed auto	
	180-184	Fan speed silent	
	185-189	Fan speed off	
	190-194	Fan speed full	
	195-199	No function	
	200-204	No function	
	205-209	No function	
	210-214	No function	
	215-219	Power mode normal	
	220-224	Power mode boost	
	225-229	No function	
	230-234	Factory reset	
	235-239	User reset	
	240-255	No function	

5ch Direct					
Ch	Function	Value	Description	Default	Highlight / locate
1	Red	0-255		0	255
2	Green	0-255		0	255
3	Blue	0-255		0	255
4	Amber	0-255		0	255
5	White	0-255		0	255

12ch Direct					
Ch	Function	Value	Description	Default	Highlight / locate
1	Dimmer	0-255	Dimmer	0	255
2	Shutter	0-19	Close	255	255
		20-24	Open		
		25-64	Strobe		
		65-69	Open		
		70-84	Pulse open		
		85-89	Open		
		90-104	Pulse close		
		105-109	Open		
		110-124	Random strobe		
		125-129	Open		
		130-144	Random pulse open		
		145-149	Open		
		150-164	Random pulse close		
		165-169	Open		
		170-184	Burst pulse		
185-189	Open				
190-204	Random burst pulse				
205-209	Open				
210-224	Sin wave				
225-229	Open				
230-244	Burst				
245-255	Open				
3	Red	0-255		255	255
4	Green	0-255		255	255
5	Blue	0-255		255	255
6	Amber	0-255		0	255

7	White	0-255		0	255
8	CTC	0-4 5-255	No function 2000K - 10 000K	0	0
9	Tint	0-255		128	-
10	Color macro	0-5 6-161 162-255	No function Colors Colors change	0	0
11	Color macro speed	0-255		0	-
12	Control	0-29 30-34 35-39 40-44 45-49 50-54 55-59 60-64 65-69 70-74 75-79 80-84 85-89 90-94 95-99 100-104 105-109 110-114 115-119 120-124 125-129 130-134 135-139 140-144 145-149 150-154 155-159 160-164 165-169 170-174 175-179 180-184 185-189 190-194 195-199 200-204 205-209	No function Display on (hold 3s) Display off (hold 3s) No function DMX fail blackout DMX fail hold DMX fail emergency No function Dimmer curve - linear Dimmer curve - exponential Dimmer curve - logarithmic Dimmer curve - S-Curve No function Dimmer speed LED - fast Dimmer speed medium Dimmer speed halogen - slow No function Redshift on (hold 5s) Redshift off (hold 5s) No function Full calibration CCT calibration No function LED frequency 800Hz (hold 3s) LED frequency 1200Hz (hold 3s) LED frequency 2000Hz (hold 3s) LED frequency 3600Hz (hold 3s) LED frequency 12kHz (hold 3s) LED frequency 25kHz (hold 3s) No function Fan speed auto Fan speed silent Fan speed off Fan speed full No function No function No function	0	-

		210-214	No function		
		215-219	Power mode normal		
		220-224	Power mode boost		
		225-229	No function		
		230-234	Factory reset		
		235-239	User reset		
		240-255	No function		

17ch Direct					
Ch	Function	Value	Description	Default	Highlight / locate
1	Dimmer	0-255	Dimmer	0	255
2	Shutter	0-19 20-24 25-64 65-69 70-84 85-89 90-104 105-109 110-124 125-129 130-144 145-149 150-164 165-169 170-184 185-189 190-204 205-209 210-224 225-229 230-244 245-255	Close Open Strobe Open Pulse open Open Pulse close Open Random strobe Open Random pulse open Open Random pulse close Open Burst pulse Open Random burst pulse Open Sin wave Open Burst Open	255	255
3	Strobe duration	0-255		0	-
4	Red	0-255	Red	255	255
5	Green	0-255	Green	255	255
6	Blue	0-255	Blue	255	255
7	Amber	0-255		0	255
8	White	0-255		0	255
9	CTC	0-4	No function	0	0

		5-255	2000K - 10 000K		
10	Tint	0-255		128	-
11	Color macro	0-5 6-161 162-255	No function Colors Colors change	0	0
12	Color macro speed	0-255		0	-
13	Effects	0-15 16-39 40-63 64-87 88-111 112-135 136-159 160-183 184-207 208-231 232-255	No function Effect 1 slow-fast Effect 2 slow-fast Effect 3 slow-fast Effect 4 slow-fast Effect 5 slow-fast Effect 6 slow-fast Effect 7 slow-fast Effect 8 slow-fast Effect 9 slow-fast Effect 10 slow-fast	0	0
14	Dimmer curve	0-51 52-101 102-152 153-203 204-255	No function Linear dimmer curve Exponential dimmer curve Logarithmic dimmer curve S-curve dimmer curve	0	-
15	Dimmer speed	0-63 64-127 128-191 192-255	No function LED - fast Medium Halogen - slow	0	-
16	Red shift	0-84 85-170 171-255	No function Redshift Off Redshift On	0	-
17	Control	0-29 30-34 35-39 40-44 45-49 50-54 55-59 60-64 65-69 70-74 75-79 80-84 85-89 90-94 95-99 100-104	No function Display on (hold 3s) Display off (hold 3s) No function DMX fail blackout DMX fail hold DMX fail emergency No function Dimmer curve - linear Dimmer curve - exponential Dimmer curve - logarithmic Dimmer curve - S-Curve No function Dimmer speed LED - fast Dimmer speed medium Dimmer speed halogen - slow	0	-

	105-109	No function		
	110-114	Redshift on (hold 5s)		
	115-119	Redshift off (hold 5s)		
	120-124	No function		
	125-129	Full calibration		
	130-134	CCT calibration		
	135-139	No function		
	140-144	LED frequency 800Hz (hold 3s)		
	145-149	LED frequency 1200Hz (hold 3s)		
	150-154	LED frequency 2000Hz (hold 3s)		
	155-159	LED frequency 3600Hz (hold 3s)		
	160-164	LED frequency 12kHz (hold 3s)		
	165-169	LED frequency 25kHz (hold 3s)		
	170-174	No function		
	175-179	Fan speed auto		
	180-184	Fan speed silent		
	185-189	Fan speed off		
	190-194	Fan speed full		
	195-199	No function		
	200-204	No function		
	205-209	No function		
	210-214	No function		
	215-219	Power mode normal		
	220-224	Power mode boost		
	225-229	No function		
	230-234	Factory reset		
	235-239	User reset		
	240-255	No function		

23ch Direct					
Ch	Function	Value	Description	Default	Highlight / locate
1	Dimmer	0-255	Dimmer	0	255
2	Dimmer fine	0-255	Dimmer 16-bit	0	255
3	Shutter	0-19 20-24 25-64 65-69 70-84 85-89 90-104	Close Open Strobe Open Pulse open Open Pulse close	255	255



		105-109 110-124 125-129 130-144 145-149 150-164 165-169 170-184 185-189 190-204 205-209 210-224 225-229 230-244 245-255	Open Random strobe Open Random pulse open Open Random pulse close Open Burst pulse Open Random burst pulse Open Sin wave Open Burst Open		
4	Strobe duration	0-255		0	-
5	Red	0-255	Red	255	255
6	Red fine	0-255	Red 16-bit	255	255
7	Green	0-255	Green	255	255
8	Green fine	0-255	Green 16-bit	255	255
9	Blue	0-255	Blue	255	255
10	Blue fine	0-255	Blue 16-bit	255	255
11	Amber	0-255	Lime	0	255
12	Amber fine	0-255	Lime 16-bit	0	255
13	White	0-255	Amber	0	255
14	White fine	0-255	Amber 16-bit	0	255
15	CTC	0-4 5-255	No function 2000K - 10 000K	0	0
16	Tint	0-255		128	-
17	Color macro	0-5 6-161 162-255	No function Colors Colors change	0	0
18	Color macro speed	0-255		0	-
19	Effects	0-15 16-39 40-63 64-87 88-111 112-135 136-159 160-183 184-207	No function Effect 1 slow-fast Effect 2 slow-fast Effect 3 slow-fast Effect 4 slow-fast Effect 5 slow-fast Effect 6 slow-fast Effect 7 slow-fast Effect 8 slow-fast	0	0

		208-231 232-255	Effect 9 slow-fast Effect 10 slow-fast		
20	Dimmer curve	0-51 52-101 102-152 153-203 204-255	No function Linear dimmer curve Exponential dimmer curve Logarithmic dimmer curve S-curve dimmer curve	0	-
21	Dimmer speed	0-63 64-127 128-191 192-255	No function LED - fast Medium Halogen - slow	0	-
22	Red shift	0-84 85-170 171-255	No function Redshift Off Redshift On	0	-
23	Control	0-29 30-34 35-39 40-44 45-49 50-54 55-59 60-64 65-69 70-74 75-79 80-84 85-89 90-94 95-99 100-104 105-109 110-114 115-119 120-124 125-129 130-134 135-139 140-144 145-149 150-154 155-159 160-164 165-169 170-174 175-179 180-184 185-189	No function Display on (hold 3s) Display off (hold 3s) No function DMX fail blackout DMX fail hold DMX fail emergency No function Dimmer curve - linear Dimmer curve - exponential Dimmer curve - logarithmic Dimmer curve - S-Curve No function Dimmer speed LED - fast Dimmer speed medium Dimmer speed halogen - slow No function Redshift on (hold 5s) Redshift off (hold 5s) No function Full calibration CCT calibration No function LED frequency 800Hz (hold 3s) LED frequency 1200Hz (hold 3s) LED frequency 2000Hz (hold 3s) LED frequency 3600Hz (hold 3s) LED frequency 12kHz (hold 3s) LED frequency 25kHz (hold 3s) No function Fan speed auto Fan speed silent Fan speed off	0	-



	190-194	Fan speed full		
	195-199	No function		
	200-204	No function		
	205-209	No function		
	210-214	No function		
	215-219	Power mode normal		
	220-224	Power mode boost		
	225-229	No function		
	230-234	Factory reset		
	235-239	User reset		
	240-255	No function		

Channel priority: Dimming > Built-in Program Call > User Program Call > RGBAW Dimming > HSV Dimming > Macro Instruction > Color temperature

MAINTENANCE

To ensure optimal performance and extend the lifespan of your BlindONE, regular maintenance is essential.



Always disconnect the fixture from power before performing any service.

Recommended maintenance actions:

Clean the housing and lens with a soft, dry, or slightly damp cloth.

Do not use alcohol, solvents, or abrasive cleaners that could damage the surface or optical components.

Inspect power and signal cables for wear or damage – replace immediately if necessary.

Check mounting brackets, screws, and safety cables to ensure all components are secure and stable.

Keep all connectors (TrueCON, DMX, EtherCON) clean and free from moisture.

Operation in high-humidity environments:

If the fixture has been used outdoors – during rain or fog, it should be thoroughly dried after use. Leave it in a dry room with low humidity, inside an open flight case, until it is completely dry.

Recommended frequency:

Perform maintenance every three months under normal conditions, or more frequently if used outdoors or in dusty environments.



All internal repairs should be performed only by an authorized service center. Unauthorized repairs or modifications may void the warranty.

GENERAL TROUBLESHOOTING

Problem	Possible Causes	Solutions
1. The device does not power on	<ul style="list-style-type: none"> • Power cable not properly connected • Power switch is off • Fuse is blown 	<ul style="list-style-type: none"> • Reconnect the power cable securely • Turn the power switch to ON • Replace the fuse with the same type and rating
2. The light source does not emit light	<ul style="list-style-type: none"> • LED module failure • Loose internal cable connection • Overheating protection activated 	<ul style="list-style-type: none"> • Contact authorized service for LED module replacement • Check internal wiring (authorized technician only) • Wait for cooling and restart automatically
3. The device does not respond to DMX signal	<ul style="list-style-type: none"> • Incorrect DMX address • DMX cable disconnected or damaged • Wrong DMX polarity • Controller malfunction 	<ul style="list-style-type: none"> • Verify and reset DMX address • Inspect and replace DMX cables • Check DMX polarity • Test with another controller
4. Irregular or flickering light output	<ul style="list-style-type: none"> • Unstable power supply • DMX signal interference • Internal PCB issue 	<ul style="list-style-type: none"> • Use stable power source • Ensure proper shielding and connections • Contact authorized service for inspection
5. Overheating or automatic shutdown	<ul style="list-style-type: none"> • Blocked ventilation • High ambient temperature • Fan malfunction (if equipped) 	<ul style="list-style-type: none"> • Ensure proper airflow • Maintain recommended ambient temperature • Contact service if the fan isn't working
6. Device does not tilt or move properly	<ul style="list-style-type: none"> • Obstructed movement mechanism • Stepper motor failure 	<ul style="list-style-type: none"> • Remove obstacles • Contact service for motor repair or replacement
7. Unexpected noise or vibration	<ul style="list-style-type: none"> • Loose mounting hardware • Mechanical imbalance 	<ul style="list-style-type: none"> • Tighten screws and brackets • Contact service if vibration persists
8. Unresponsive control panel or display	<ul style="list-style-type: none"> • Software crash or firmware issue • Button or connection problem 	<ul style="list-style-type: none"> • Restart the device • Contact service for firmware reinstall or button replacement
9. The fixture emits no light but power is on	<ul style="list-style-type: none"> • Light engine protection mode • Driver failure 	<ul style="list-style-type: none"> • Turn off for several minutes and restart • Contact authorized service if persists



IMPORTANT! The following table presents potential problems in the operation of the device and possible ways to resolve them.

WARNING! The table is for informational purposes only. In the event of serious operating problems, stop using the device immediately. Never attempt to repair the device yourself. Repairs carried out by unqualified persons may lead to damage or malfunction. Please contact the authorized distributor or directly the manufacturer's/importer's service department: customer-service@flash-butrym.pl

IMPORTANT! Always use the same type of spare parts.

IMPORTANT! Disconnect the device from the mains power before servicing and maintenance. The housing must be replaced if it is visibly damaged.

SPECIFICATION

Power Source (AC)

Supply voltage	100-240V
Power consumption	350W
Power consumption (peak)	500W
Power frequency	50-60Hz

Light source

Type	LED (RGBWA)
Quantity	1
Power (W)	550W
Color temperature	2000
Color temperature	10000

Color Mixing System

RGBWA	16 bit
-------	--------

Dimming

Dimming 1	16 bit
-----------	--------

ZOOM

ZOOM	Fixed
------	-------

Beam angle

Beam angle	Constant (50°)
------------	----------------

Strobe - frequency

Frequency	1-20Hz
Pulsating	Yes
Random	Yes

DMX control

Number of modes	15
Number of channels	1-23

Modes of operation

DMX512	Yes
RDM	Yes

User Interface

Capacitive (touch) buttons	Yes
Color display	Yes

Connectors

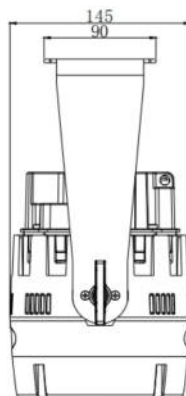
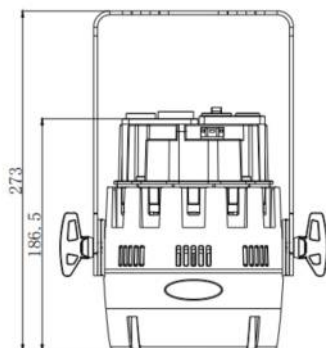
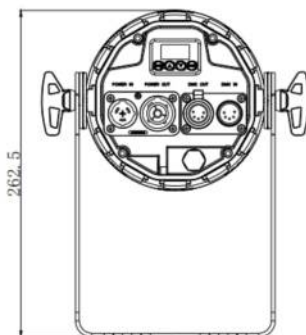
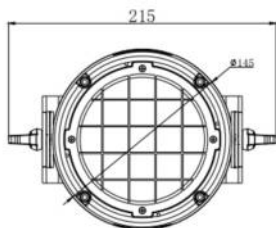
AC IN	TrueCon IP65
AC OUT	TrueCon IP65
DMX IN	5-pin XLR IP65
DMX OUT	5-pin XLR IP65

Physical parameters

IP protection level	IP65
Housing type	Aluminium
Fixing	Mounting hole
Housing color	Black
Cooling	Active
Length [cm]	19.5
Width [cm]	14.5
Height [cm]	14.5
Weight [kg]	2.4



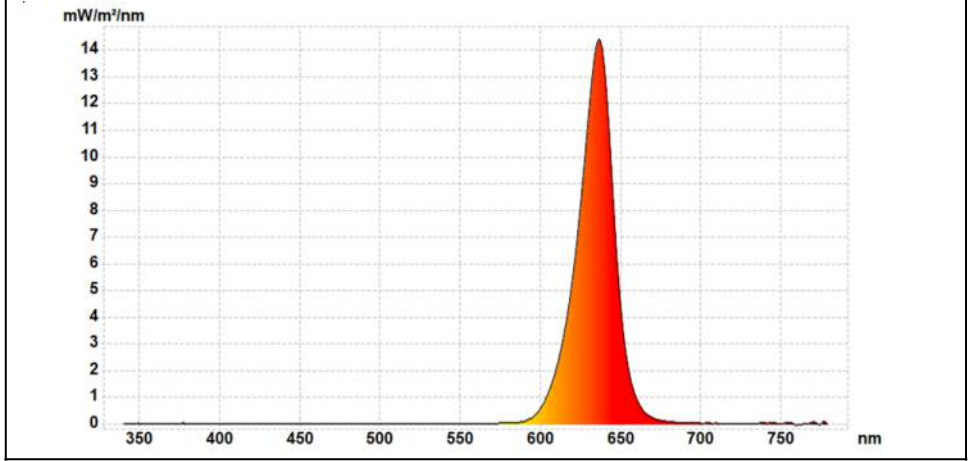
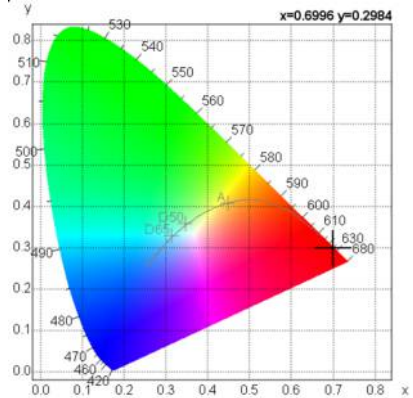
DRAWINGS



PHOTOMETRIC

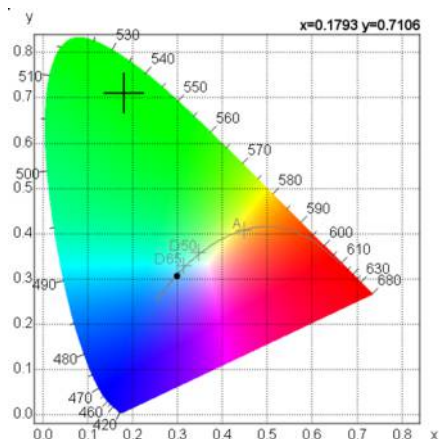
SPECTRAL DISTRIBUTION AT 5M

RED	
CIE x	0,6996
CIE y	0,2984
CIE Y	63,67 lx
CCT	- K
Chromaticity Error	0,307
Duv	nan
Color Peak	636,89 nm
Color Peak Value	14,42 mW/m2/nm
Color Dominant	625,7 nm
Luminous Intensity	6,36 cd (A)

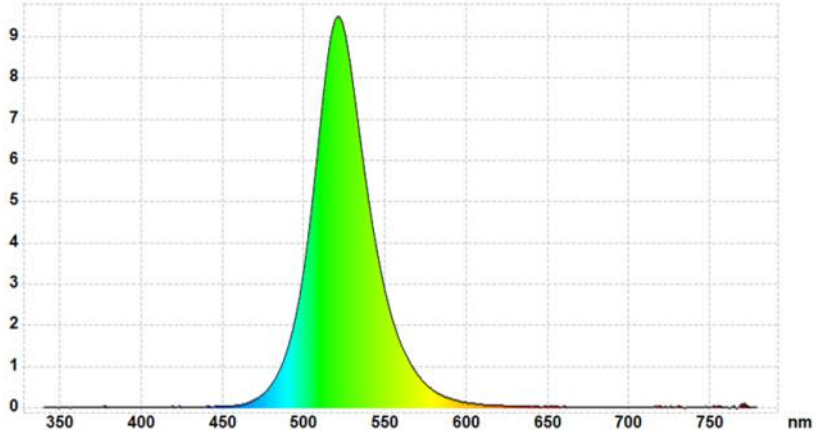


GREEN

CIE x	0,1793
CIE y	0,7106
CIE Y	199,04 lx
CCT	7738 K
Chromaticity Error	0,162
Duv	0,1531
Color Peak	521,57 nm
Color Peak Value	9,50 mW/m ² /nm
Color Dominant	527,7 nm
Luminous Intensity	19,88 cd (A)

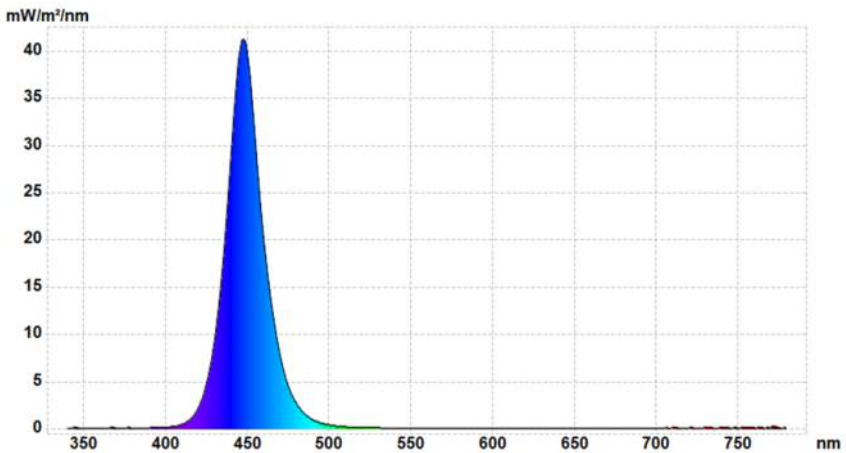
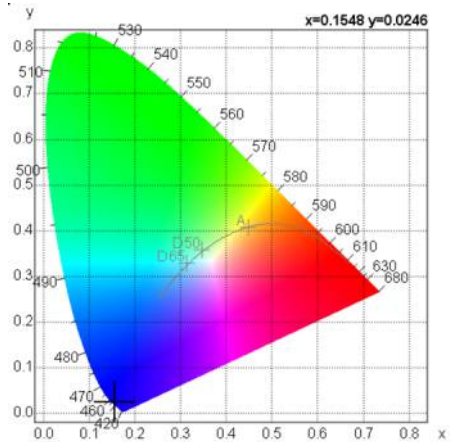


mW/m²/nm



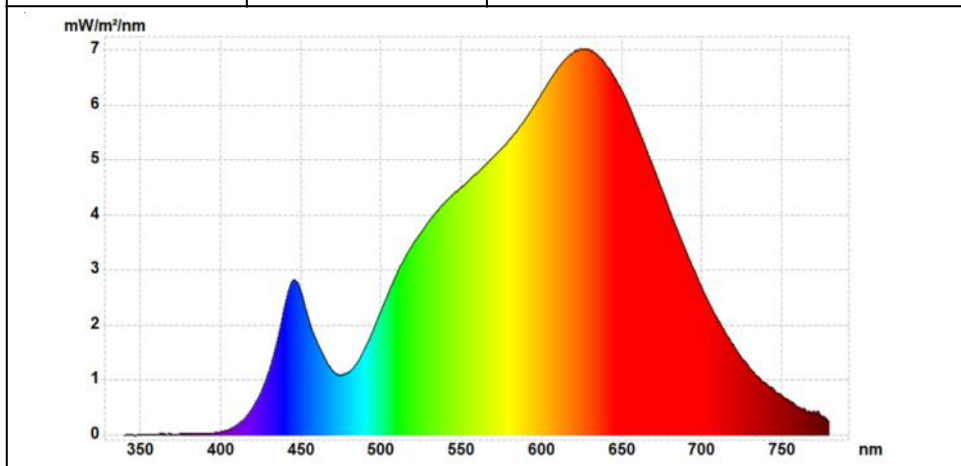
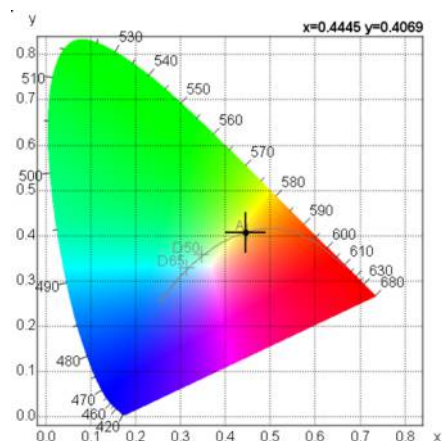
BLUE

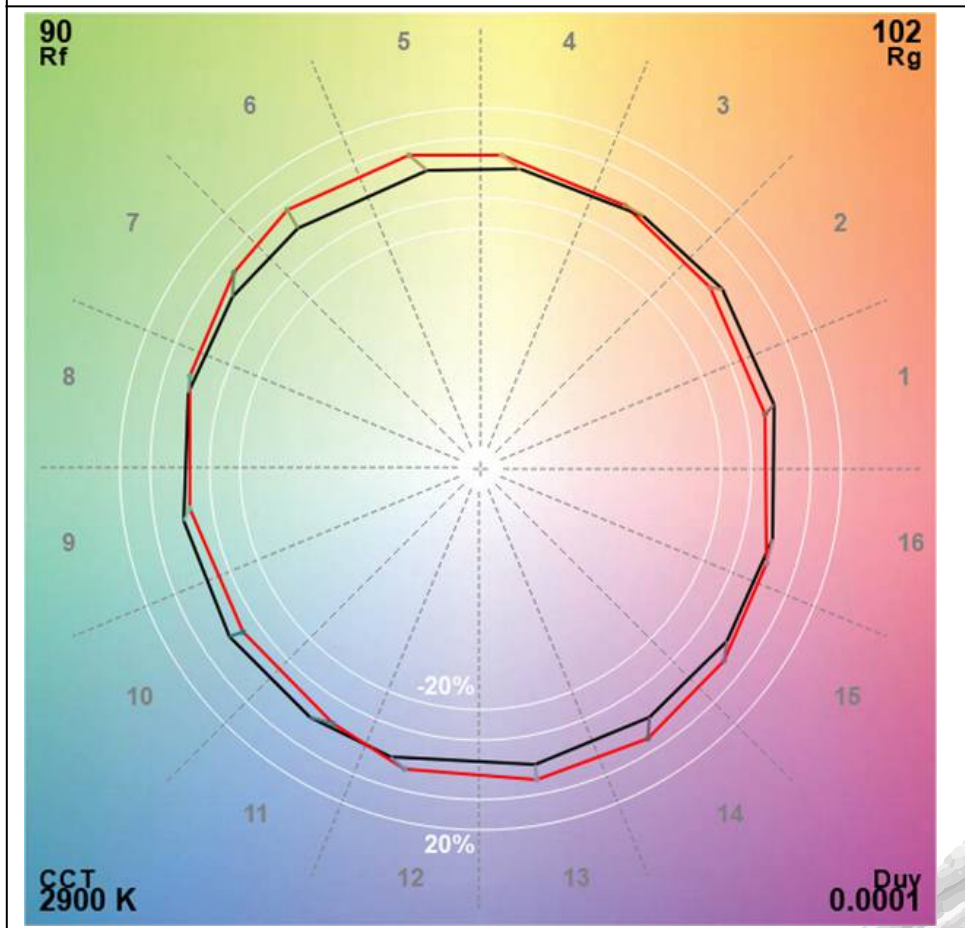
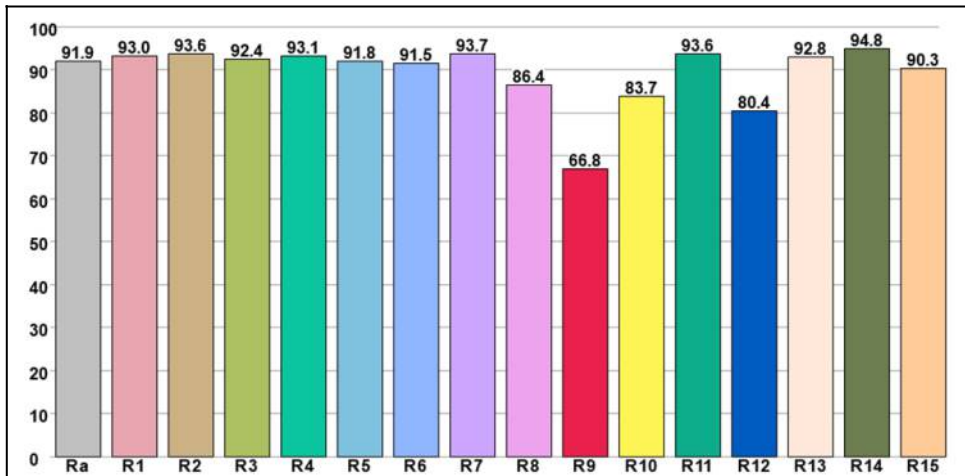
CIE x	0,1548
CIE y	0,0246
CIE Y	37,26 lx
CCT	- K
Chromaticity Error	0,361
Duv	0,2260
Color Peak	447,24 nm
Color Peak Value	41,28 mW/m ² /nm
Color Dominant	453,5 nm
Luminous Intensity	3,72 cd (A)



WHITE

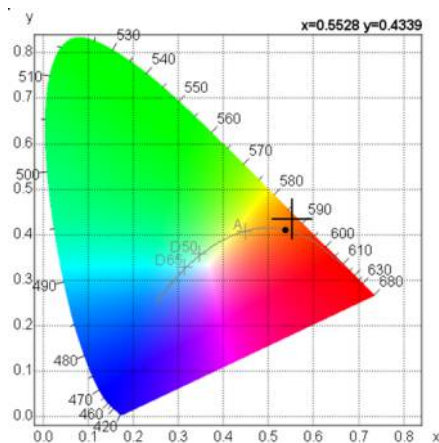
CIE x	0,4445
CIE y	0,4069
CIE Y	340,30 lx
CCT	2900 K
Chromaticity Error	0,002
Duv	0,0001
Color Peak	627,57 nm
Color Peak Value	7,01 mW/m ² /nm
Color Dominant	583,2 nm
Luminous Intensity	33,98 cd (A)



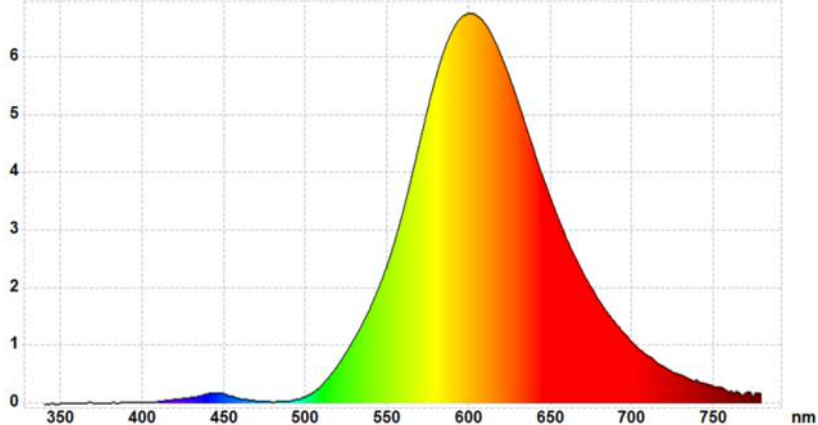


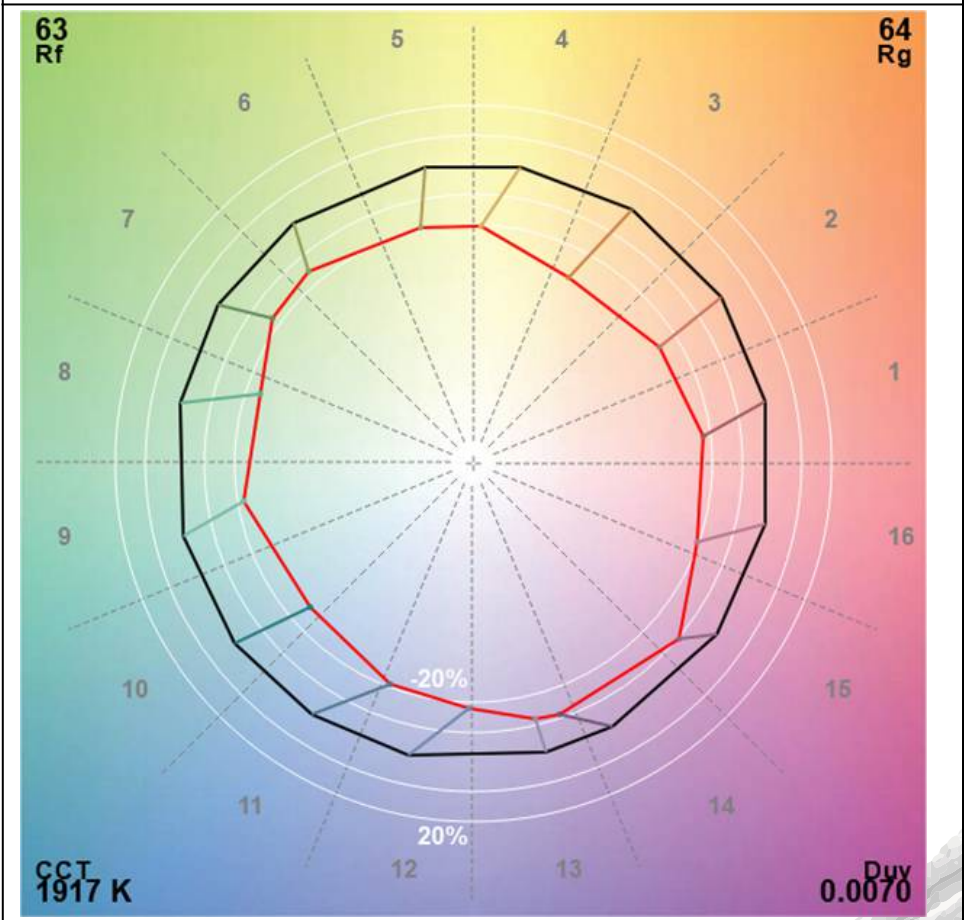
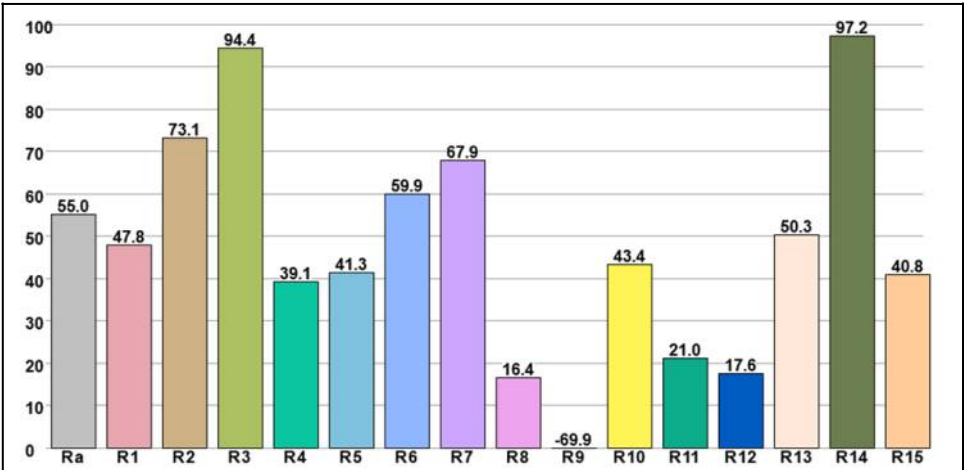
AMBER

CIE x	0,5528
CIE y	0,4339
CIE Y	240,94 lx
CCT	1917 K
Chromaticity Error	0,012
Duv	0,0070
Color Peak	600,84 nm
Color Peak Value	6,74 mW/m ² /nm
Color Dominant	587,7 nm
Luminous Intensity	24,06 cd (A)



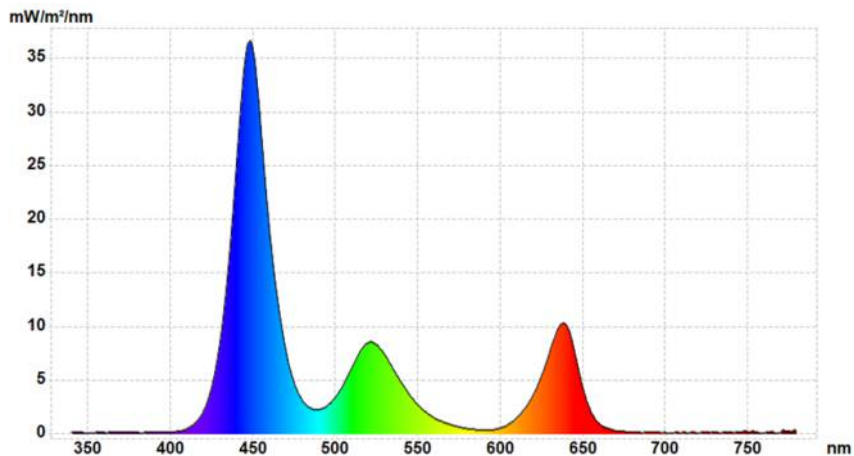
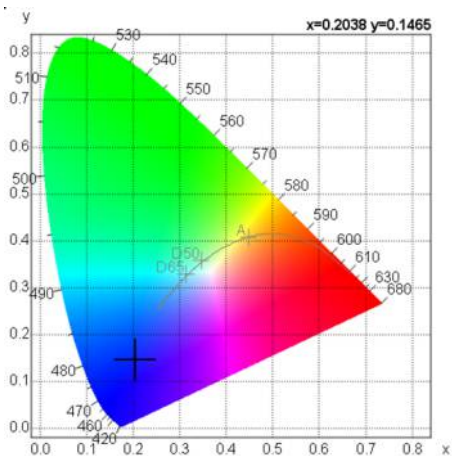
mW/m²/nm

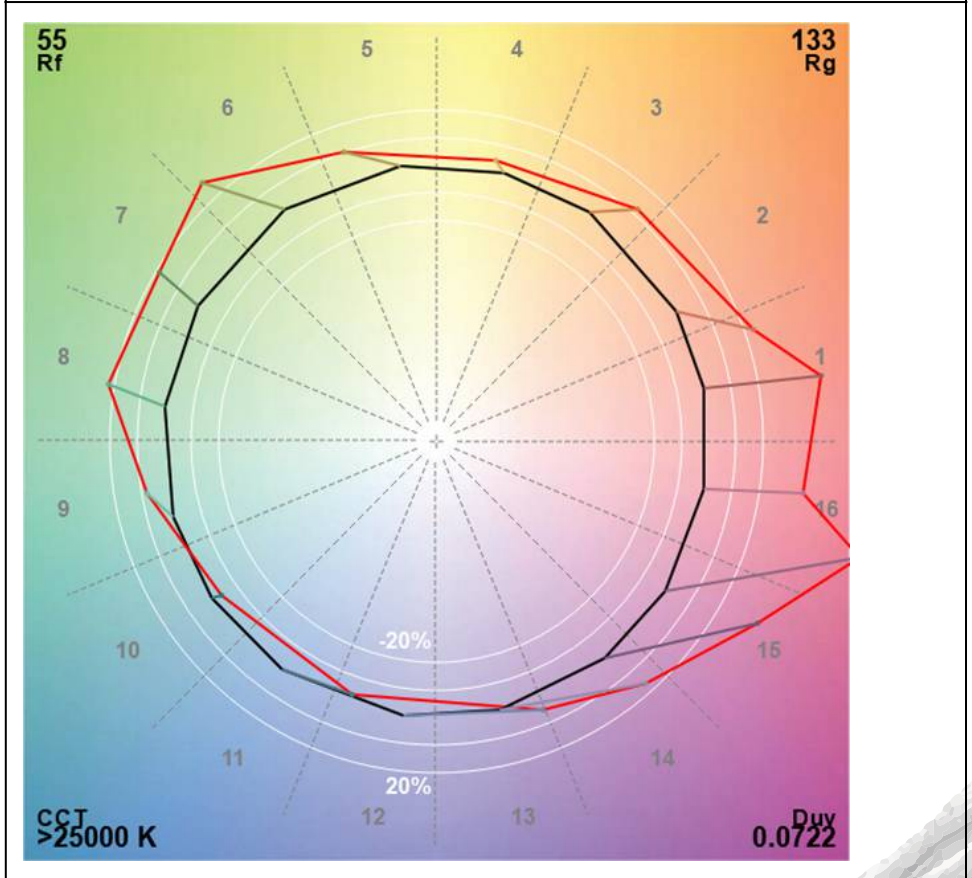
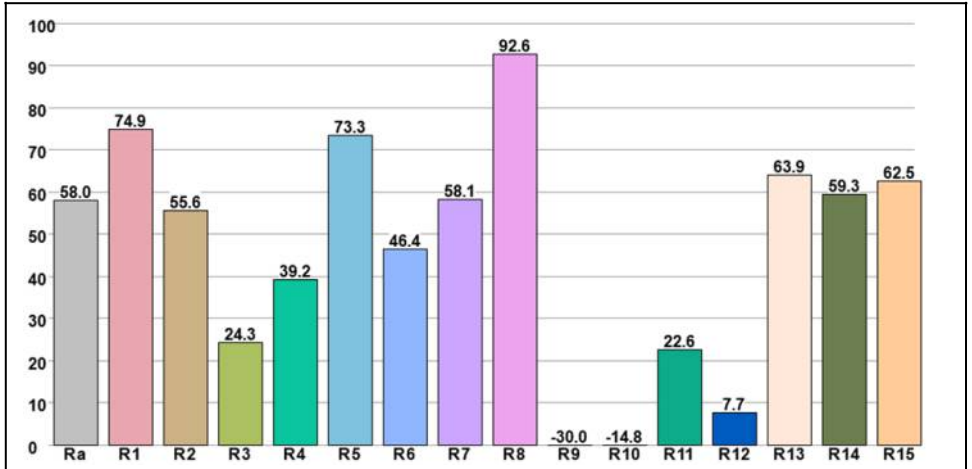




RGB

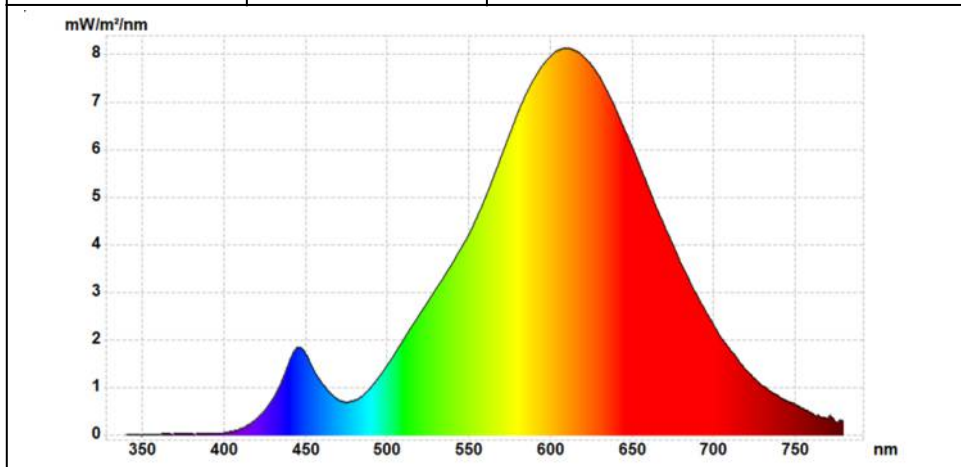
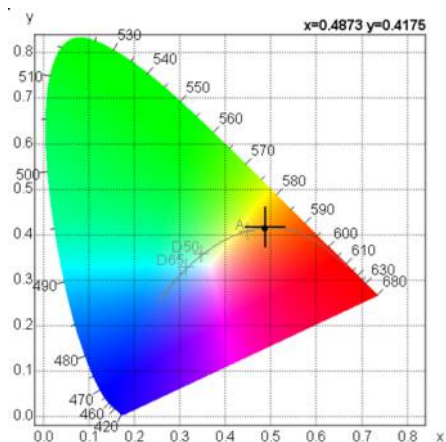
CIE x	0,2038
CIE y	0,1465
CIE Y	259,15 lx
CCT	- K
Chromaticity Error	0,174
Duv	0,0722
Color Peak	449,49 nm
Color Peak Value	36,68 mW/m ² /nm
Color Dominant	466,4 nm
Luminous Intensity	25,88 cd (A)

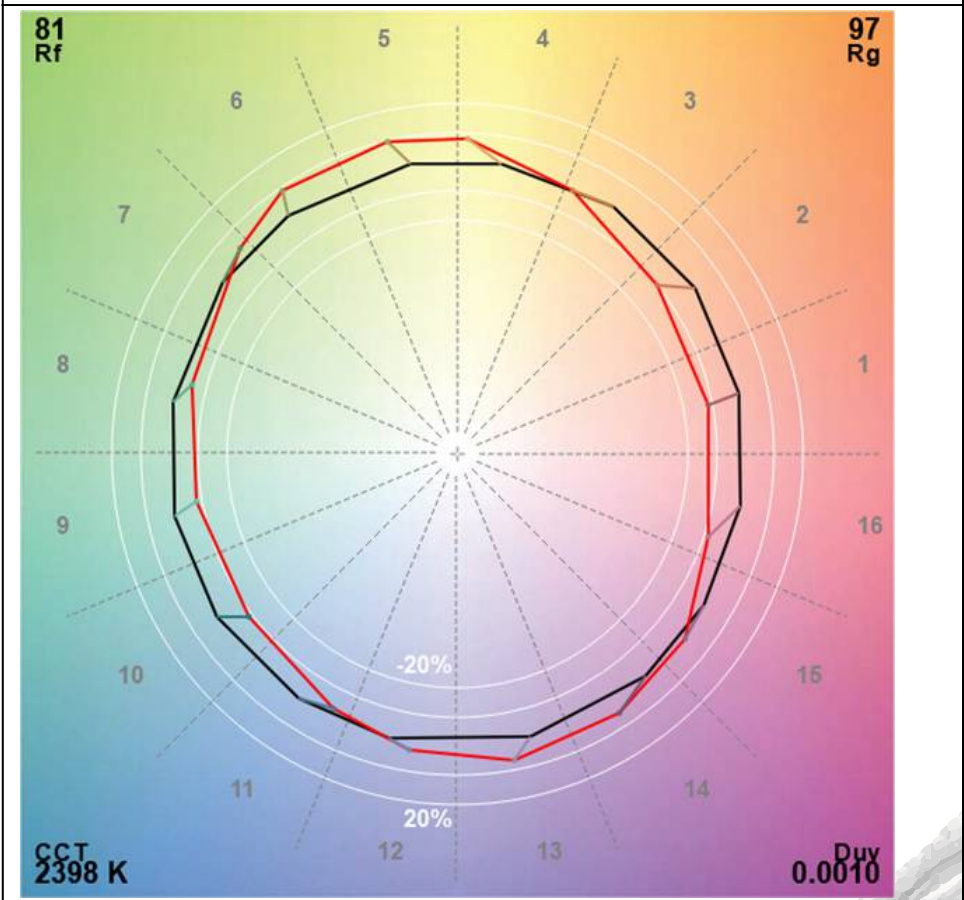
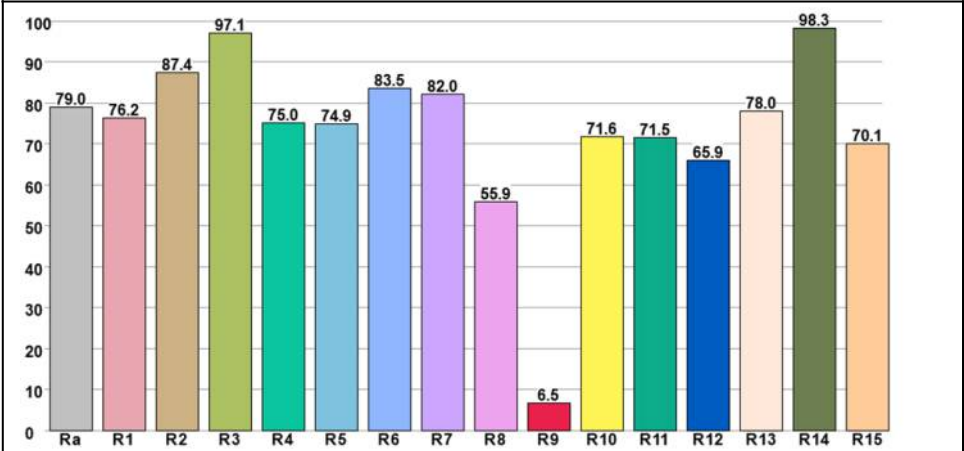




WHITE + AMBER

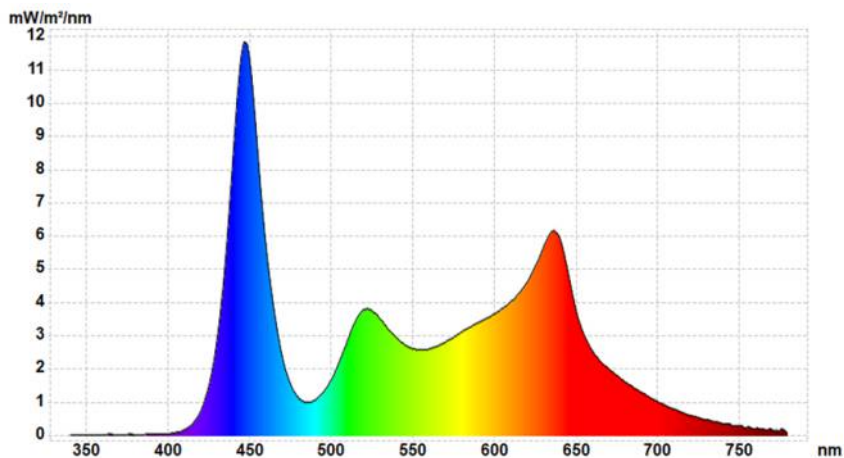
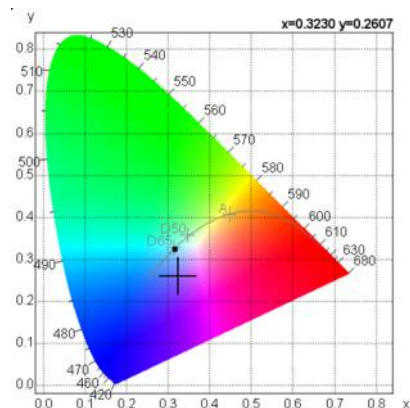
CIE x	0,4873
CIE y	0,4175
CIE Y	357,85 lx
CCT	2407 K
Chromaticity Error	0,004
Duv	0,0009
Color Peak	610,50 nm
Color Peak Value	8,12 mW/m ² /nm
Color Dominant	585,6 nm
Luminous Intensity	35,73 cd (A)

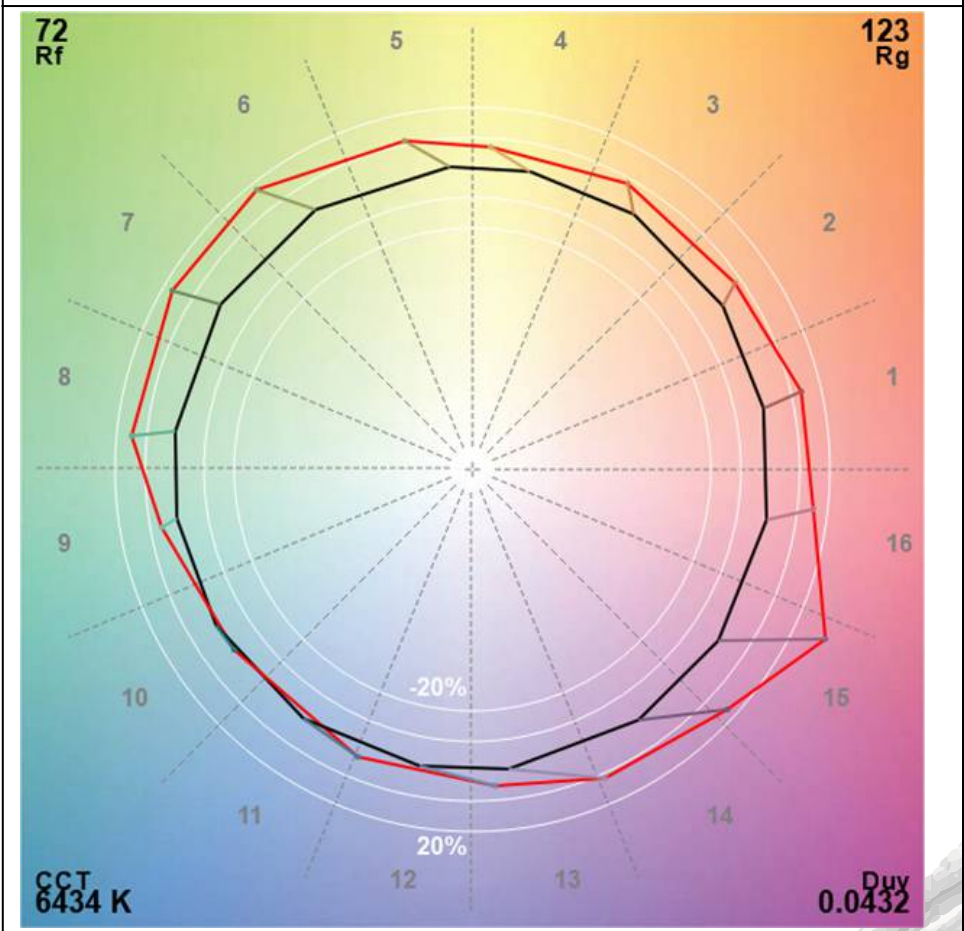
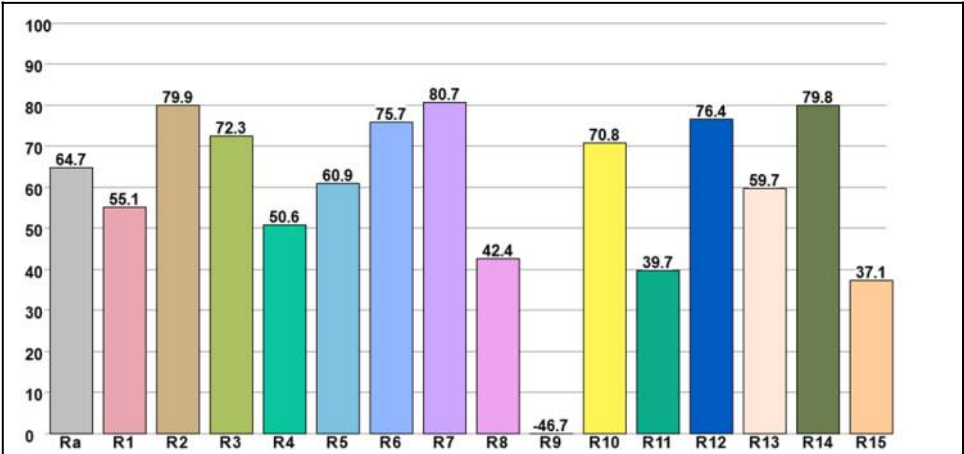




RGBWA

CIE x	0,3230
CIE y	0,2607
CIE Y	234,37 lx
CCT	6434 K
Chromaticity Error	0,054
Duv	0,0432
Color Peak	447,24 nm
Color Peak Value	11,90 mW/m ² /nm
Color Dominant	360,0 nm
Luminous Intensity	23,40 cd (A)

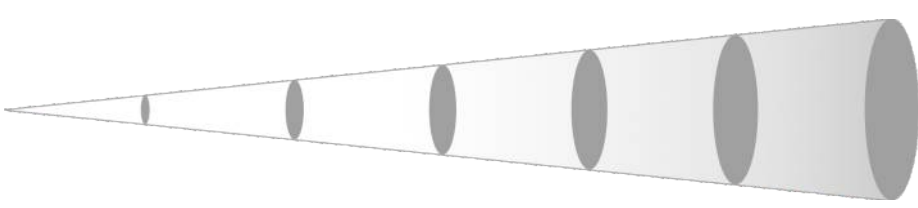




ILLUMINANCE [lx]

Beam angle 53°

Field angle 99°

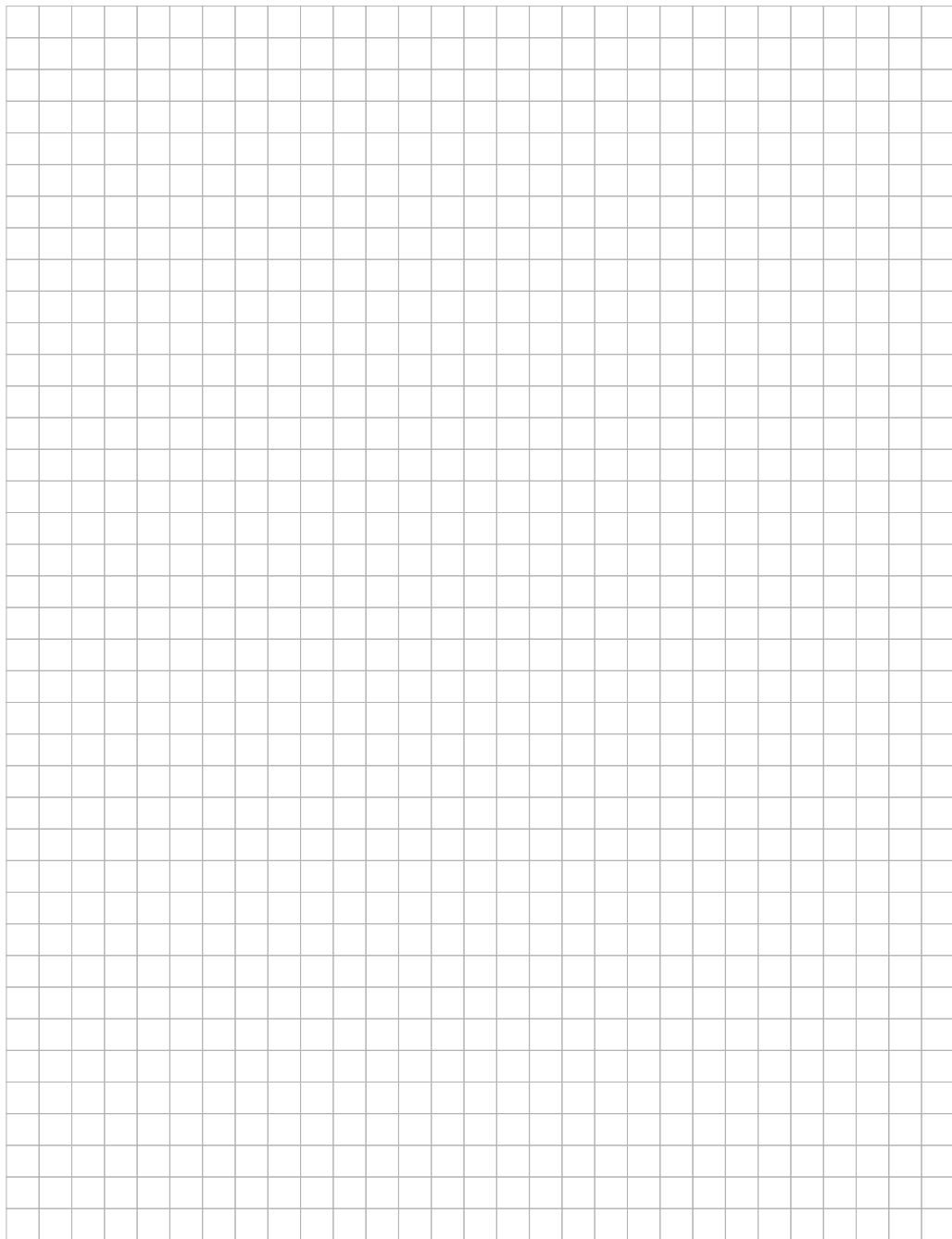
Distance [m]	2,5	5	7,5	10	12,5	15
						
R	189	64	33	14	11	8
G	863	199	105	51	42	30
B	164	37	20	10	8	6
W	1505	340	180	73	63	45
A	1062	240	127	62	50	36
RGB	909	259	129	40	36	24
WA	1520	358	175	71	56	40
RGBWA	1411	234	122	57	46	31
Distance [m]	2,5	5	7,5	10	12,5	15

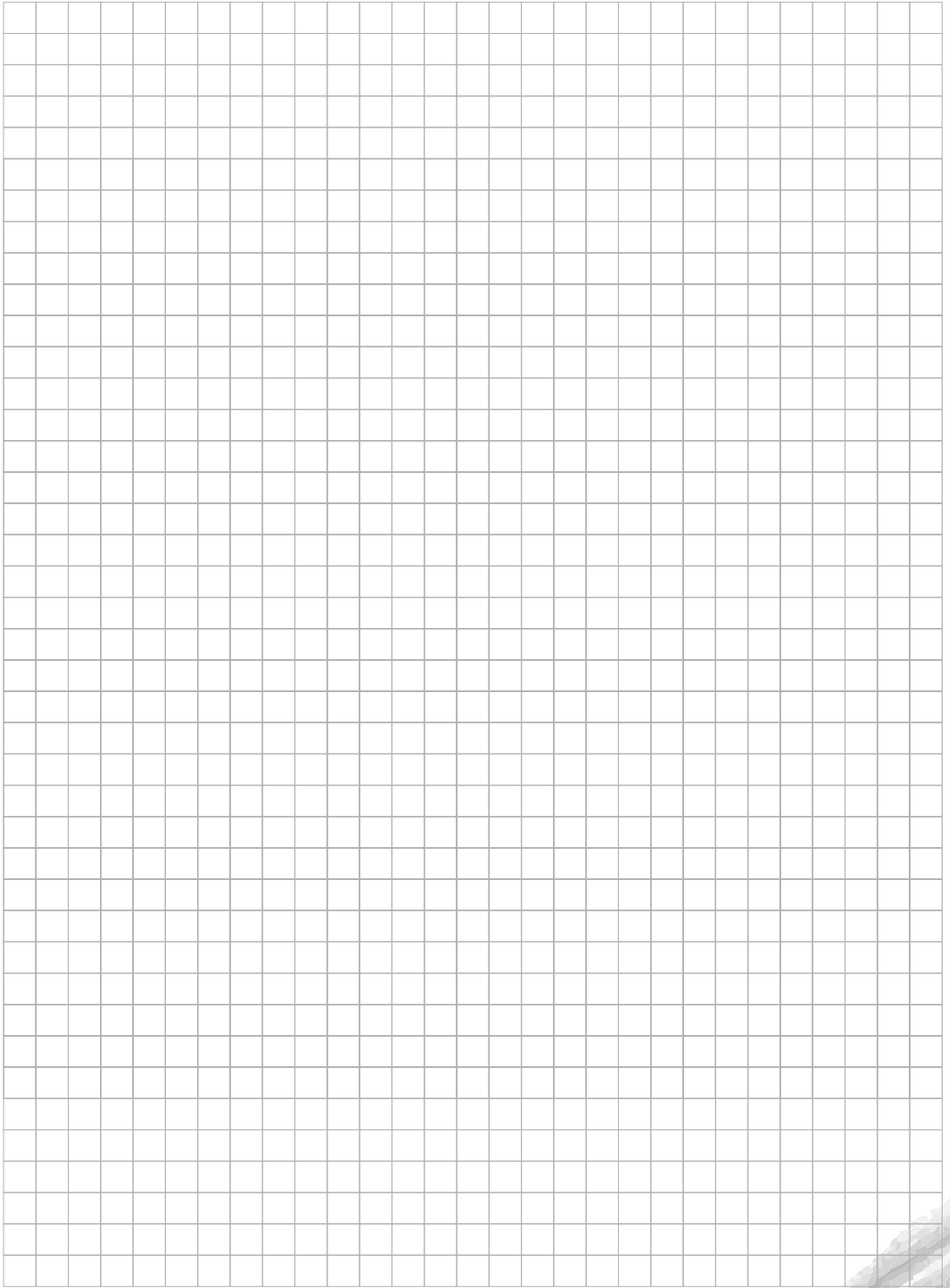
USER NOTES





FLASH







FLASH

FLASH-BUTRYM SP.J.

SKARBIMIERZYCE 18

72-002 DOŁUJE

POLAND

WWW.FLASH-BUTRYM.PL