



E.SHOW maxx TW+

800W Single-Source LED

- 800W / 6 color LED
- 30.000lm luminous flux
- CRI / Ra 97 / TLCI 99
- IP65 In/Outdoor

The E.SHOW maxx TW+ expands the SHOW series with a 800W luminaire with perfect whites and brilliant colors. The new IP65-certified spotlight with its specially developed 6-colour LED chip has an enormous output of up to 10,000lx at a beam angle of 14° / 5m. For big shows, large exhibitions and studio applications, where up to now costly and maintenance-intensive discharge lamps were used.

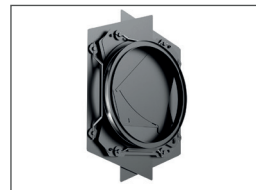
In addition, there is a novel "one-hand lens change system" and there is the option for powerless presets of dimmer, CCT, which saves enormous time during set-up and setup. This is complemented by an optimised rigging bracket, an integrated CRMX transmit and receive function and, of course, the new spotlight also works directly with the ROXX.APP.



Accessories



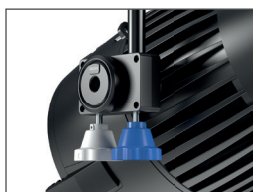
Lenses



8-Way Barndoor



Honey comb



PO-Yoke



Ground Plate

Apps

Technical Data

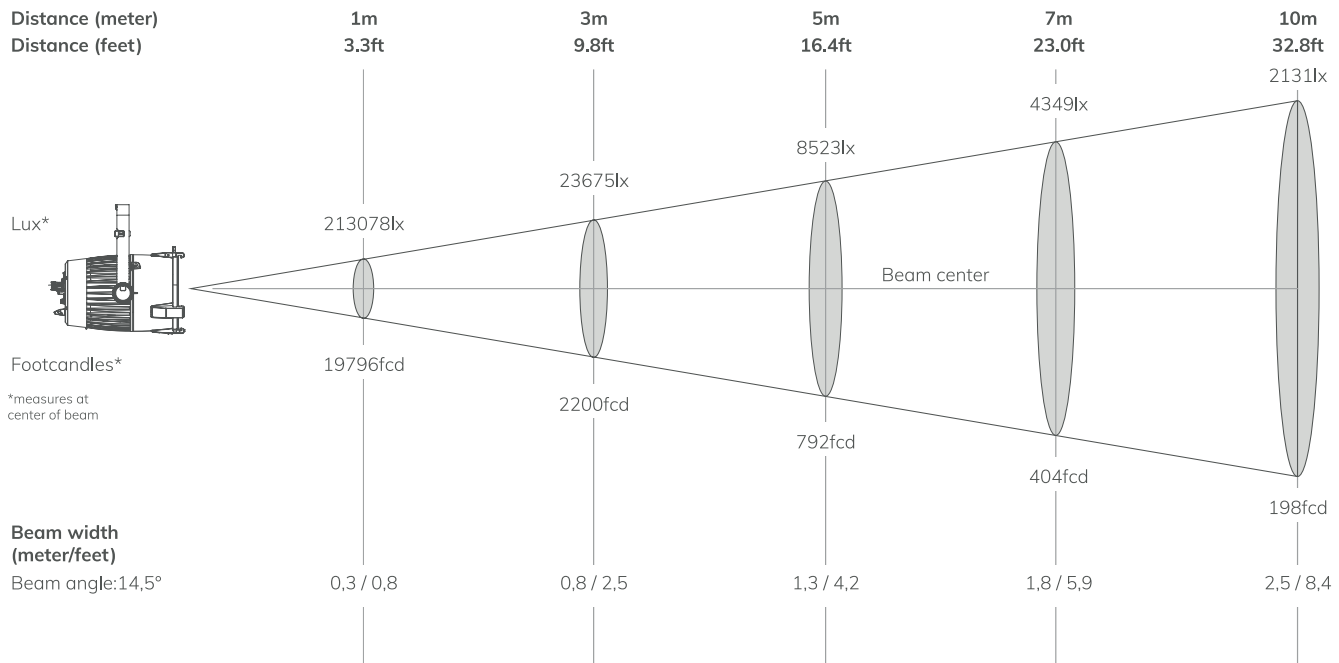
| Photometrics | |
|-------------------------------------|---|
| LED expected lifetime | 50.000 hours |
| Lightsource | 1x800W RGBALC |
| Type of optical system | reflector + interchangeable lens plates |
| LED PWM Frequency | selectable 800Hz, 1200Hz, 2000Hz, 3600Hz, 12kHz, 25kHz |
| Beam angles (50%) | 14° (with VN lens) 24° (with N lens) 35° (with M lens) 49° (with W lens) 22°x16° (with EN lens) 54°x18° (with EW lens) |
| Maximum Field angles (10%) | 28° (with VN lens) 40° (with N lens) 63° (with M lens) 78° (with W lens) 41°x31° (with EN lens) 79°x39° (with EW lens) |
| Color temperature range | 2.000K – 10.000K |
| Efficacy (max) | 36lm/W |
| CRI/RA | 97 |
| TLCI | 99 |
| Luminous flux | 29.596 lm |
| illuminance Lux @ 3m (with VN lens) | 8551 lx |
| illuminance Lux @ 3m (with N lens) | 4696 lx |
| illuminance Lux @ 3m (with M lens) | 2229 lx |
| illuminance Lux @ 3m (with W lens) | 1312 lx |
| illuminance Lux @ 3m (with EN lens) | 5512 lx |
| illuminance Lux @ 3m (with EW lens) | 2263 lx |
| Thermal Characteristics | |
| Cooling | Active, Forced Air, Temperature-regulated |
| Humidity (max.) | 95% |
| Temperature range, Operating | -20°C to 45°C |
| Temperature range, Start-up | -20°C to 50°C |
| Temperature range, Storage | -20°C to 80°C |
| Thermal Protection | Automatic overtemperature protection |
| Electrical Data | |
| AC power, max. | 90 – 285V 50/60Hz |
| AC Power, nominal | 100 – 260V 50/60Hz |
| Electrical Protection | Overload protection with automatic recover |
| Max power consumption | 900W |
| Standby Power | 10,5W (230V) / 10,2W (100V) |
| Max power thru @ 100 V | 7A |
| Max power thru @ 230 V | 11A |
| Power Factor | 0,968PF (230V) / 0,992PF (120V) |
| Power Supply Unit | Inbuilt auto-ranging electronic switch-mode |
| Power Linking | 1 units @ 120 V; 3 units @ 230 V |

Technical Data

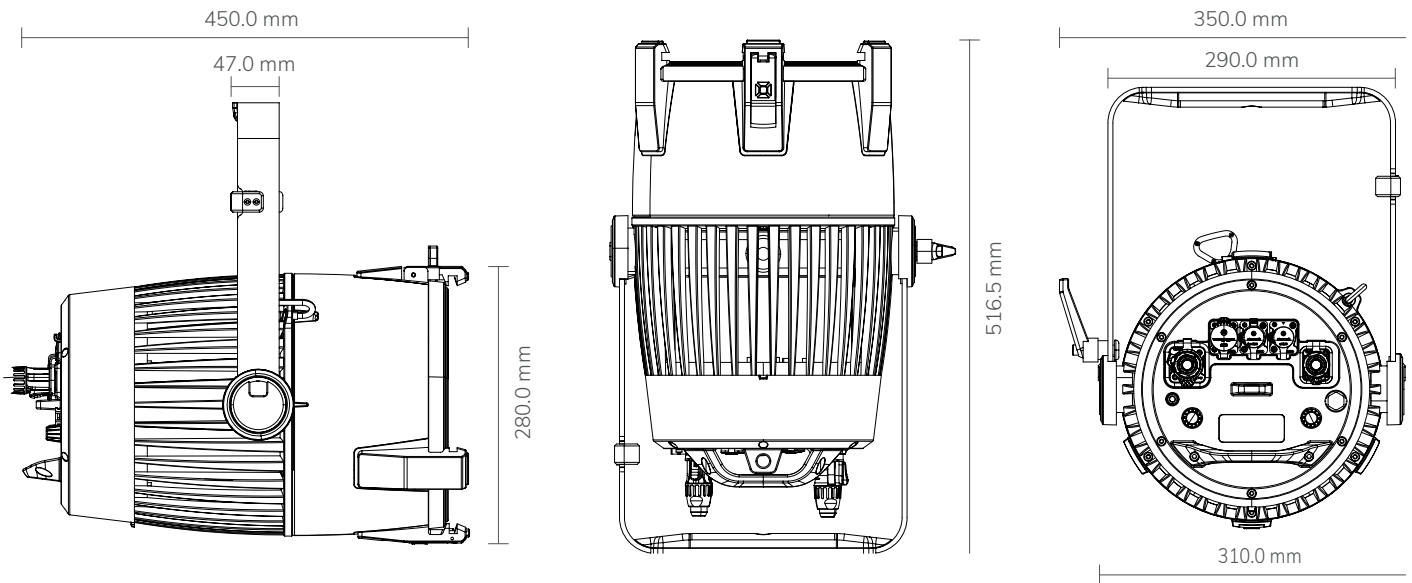
| Operator & Controller | |
|---|---|
| DMX Functions | Dimmer, Dimmer Fine, Shutter, Duration, Hue, Saturation, Red, Red Fine, Green, Green Fine, Blue, Blue Fine, Lime, Lime Fine, CCT, Tint, Color Macro, Color Macro Crossfade, Device Settings |
| DMX channels | 3CH CCT, 3CH RGB, 6CH RGB, 9CH RGB, 11CH RGB, 14CH RGB, 6CH DIRECT, 12CH DIRECT, 13CH DIRECT, 20CH DIRECT, <3CH HSI, 10CH HSI |
| DMX modes | 12 |
| Protocol | CRMX, W-DMX™ G2, W-DMX™ G3, W-DMX™ G4, W-DMX™ G4S USITT DMX512A RDM ANSI E1.20 Bluetooth Low Energy (BLE) |
| Setting and addressing | OLED graphical display / 4 controls, RDM ANSI E1.20 |
| Standalone mode | Auto Program, Editor, Color Macro, Quick Color, Tunable White, User Color, Timer |
| Wireless DMX | Lumenradio with RDM (CRMX) |
| Indicator | OLED graphical display |
| Controls | 4 touch sensitive, backlighted controls |
| Strobe | 0-20Hz |
| DMX I/O | IP65 XLR 5-pin male/female |
| Power In | TRUE1 compatible input & link-thru sockets |
| Dimensions & Weight | |
| IP class | IP65 |
| Body material | Aluminum, Nylon |
| Lens material | Tempered glass front |
| Net dimensions incl. Yoke (w x h x d) | 350 x 280 x 450mm |
| Net dimensions incl. Yoke inches | 13,78 x 11,02 x 17,72 inches |
| Physical Head Straight Up Height | 516,5mm (20,33 inches) |
| Net weight (including Yoke) | 13,5 kg (29,76lbs) |
| Tilt | 360° |
| Tilt Locking System | Locking system with angle indicator |
| Included / Optional | |
| Included items | 2x radiator caps for pendant installation 2m power cord |
| Optional Accessories | Multiple Lens Plates (circular & elliptical), 8-Way Barndoor, Honey Comb, PO Yoke, Omega Bracket with quarter-turn fasteners, Touring Cases |
| Color options | Black – RAL 9004 (Standard) White – RAL 9010 (on request) Custom color – any RAL (on request) |
| Installation | |
| Mounting point on fixture | 1 x two quarter-turn locking points for optional Omega Bracket, centric hole 13mm (1/2"), 2x extra holes for TV Spigot |
| Orientation | Any |
| Rigging possibilities | Hanging or ceiling / pendant mount (Pendant blind caps included) |
| Safety features | Top and rear mount for safety wire |
| Minimum distance from flammable materials | 0,3 meters (11,8 inch) |

Luminaire Photometrics

Very Narrow Lens



| Lens | Angle | Distance | | | | | | | | | |
|------|----------------------------|----------------------|---------------------|----------------------|---------------------|----------------------|----------------------|----------------------|----------------------|----------------------|------------------------|
| | | 1m/3.3ft | | 3m/9.8ft | | 5m/16.4ft | | 7m/23ft | | 10m/32.8ft | |
| | | Lux Center lx/fcd | Diameter m/feet | Lux Center lx/fcd | Diameter m/feet | Lux Center lx/fcd | Diameter m/feet | Lux Center lx/fcd | Diameter m/feet | Lux Center lx/fcd | Diameter m/feet |
| VN | Beam angle: 14,5° | 213078/ 19796 | 0,3/0,8 | 23675/ 2200 | 0,8/2,5 | 8523/ 792 | 1,3/4,2 | 4349/ 404 | 1,8/5,9 | 2131/ 198 | 2,5/8,4 |
| N | Beam angle: 23° | 117411/ 10908 | 0,4/1,3 | 13046/ 1212 | 1,2/4 | 4696/ 436 | 2/6,7 | 2396/ 223 | 2,9/9,4 | 1174/ 109 | 4,1/13,4 |
| M | Beam angle: 34,5° | 55718/ 5176 | 0,6/2,1 | 6191/ 575 | 1,9/6,1 | 2229/ 207 | 3,1/10,2 | 1137/ 106 | 4,3/14,3 | 557/ 52 | 6,2/20,4 |
| W | Beam angle: 48,9° | 32794/ 3047 | 0,9/3 | 3644/ 339 | 2,7/8,9 | 1312/ 122 | 4,5/14,9 | 669/ 62 | 6,4/20,9 | 328/ 30 | 9,1/29,8 |
| EN | Beam angle: 22,6°x16,3° | 137792/ 12801 | 0,4x0,3/ 1,3x0,9 | 15310/ 1422 | 1,2x0,9/ 3,9x2,8 | 5512/ 512 | 2x1,4/ 6,5x4,7 | 2812/ 261 | 2,8x2/ 9,2x6,6 | 1378/ 128 | 4x2,9/ 13,1x9,4 |
| EW | Beam angle: 54,5°x17,6° | 56574/ 5256 | 1x0,3/ 3,4x1 | 6286/ 584 | 3,1x0,9/ 10,1x3 | 2263/ 210 | 5,1x1,5/ 16,9x5,1 | 1155/ 107 | 7,2x2,2/ 23,7x7,1 | 566/ 53 | 10,3x3,1/ 33,8x10,1 |



Order Number

| E.SHOW maxx TW+ | Order Number |
|---|--------------|
| E.SHOW maxx TW+ Black | 11201201 |
| E.SHOW maxx TW+ White | on request |
| E.SHOW maxx TW+ Custom | on request |
| Accessories | Order Number |
| E.SHOW maxx Lens VN (Very Narrow) | 11205001 |
| E.SHOW maxx Lens N (Narrow) | 11205101 |
| E.SHOW maxx Lens M (Medium) | 11205201 |
| E.SHOW maxx Lens W (Wide) | 11205301 |
| E.SHOW maxx Lens EN (Elliptical Narrow) | 11205401 |
| E.SHOW maxx Lens EW (Elliptical Wide) | 11205501 |

| Accessories | Order Number |
|------------------------|--------------|
| E.SHOW maxx Barndoor | 11905601 |
| E.SHOW maxx Honey Comb | 11905701 |
| E.SHOW maxx PO-Yoke | 11905801 |
| Floor Extension | 13907201 |
| Omega Bracket ST | 90900002 |

