

CM-C54T | CM-C56T

CEILING LOUDSPEAKER

Offering crystal-clear audio, a discreet embedded design, and a host of practical features, the CM-C54T and CM-C56T are ideal for installations at hotels, restaurants, bars, commercial spaces and other locations where superior sound and aesthetics are key.

KEY FEATURES

- 2 way coaxial speaker
- 16 Ω impedance
- Protective steel-back can
- One-touch spring-loaded ceiling mounting tab
- The slide-lock mechanism on the grille
- UL2043 / UL1480A compliant for United States and Canada
- Also compatible with XY Series
- Paintable grills

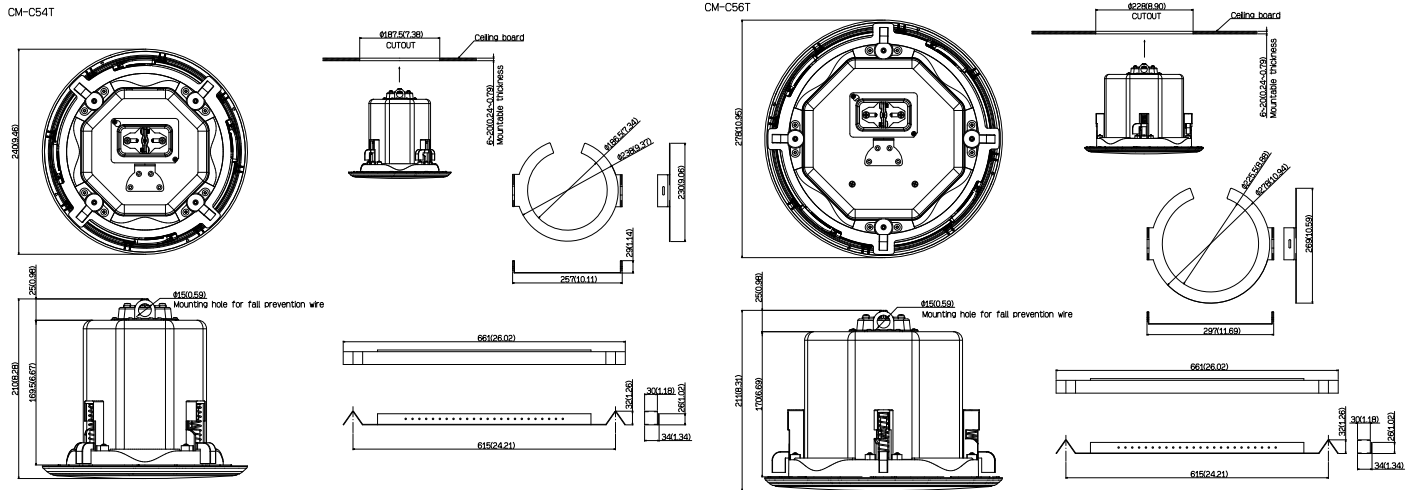
APPLICATIONS

Hotels, restaurants, bars, commercial spaces and other locations where superior sound and aesthetics are key.

SPECIFICATIONS

	CM-C54T-W	CM-C54T-K	CM-C56T-W	CM-C56T-K
Frequency response (- 10 dB, Typical)	85 Hz ~ 20 kHz		82 Hz ~ 20 kHz	
Dispersion	120°		90°	
Sensitivity (1W / 1m)	86 dB		88 dB	
Nominal Impedance	16 Ω			
Power Handling (RMS/Program)	30 W / 60 W		60 W / 120 W	
Transformer taps	70 V	30 W / 15 W / 7.5 W / 3.7 W	60 W / 30 W / 15 W / 7.5 W	
	100 V	30 W / 15 W / 7.5 W	60 W / 30 W / 15 W	
Driver configuration	LF	4-inch (102-mm) cone	6.5-inch (165-mm) cone	
	HF	3/4-inch (20-mm) dome tweeter	3/4-inch (20-mm) dome tweeter	
Connector	Euroblock (4 pin) × 1 (input: +/-, loop-thru: +/-)			
Color	White	Black	White	Black
Dimensions (W x H)	240 x 210 mm (9.45 x 8.27 inches)		278 x 211 mm (10.94 x 8.31 inches)	
Weight (1 piece)	2.6 kg		3.5 kg	
Accessories	C-ring Tile bridge 4-pin Euroblock connector Template for cutting the ceiling hole			
Packaging Type	2 pieces per package			

TECHNICAL DRAWING



CM-C54T



CM-C56T



C-RING / TILE BRIDGE

