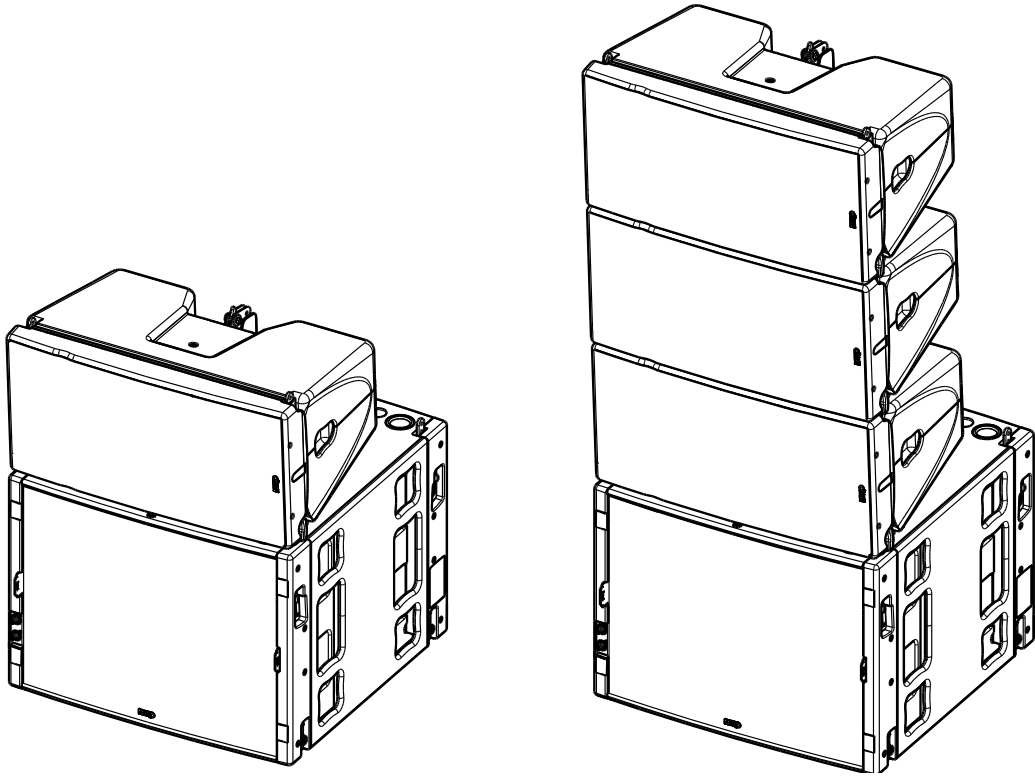
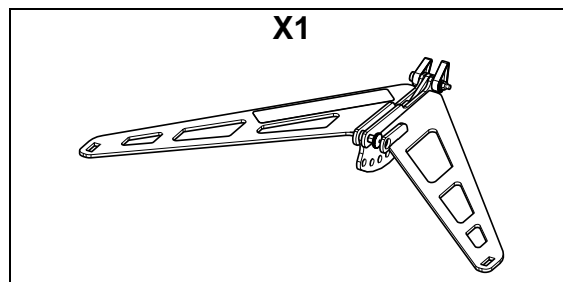


## Stacking Option for GEOM12 on top MSUB18

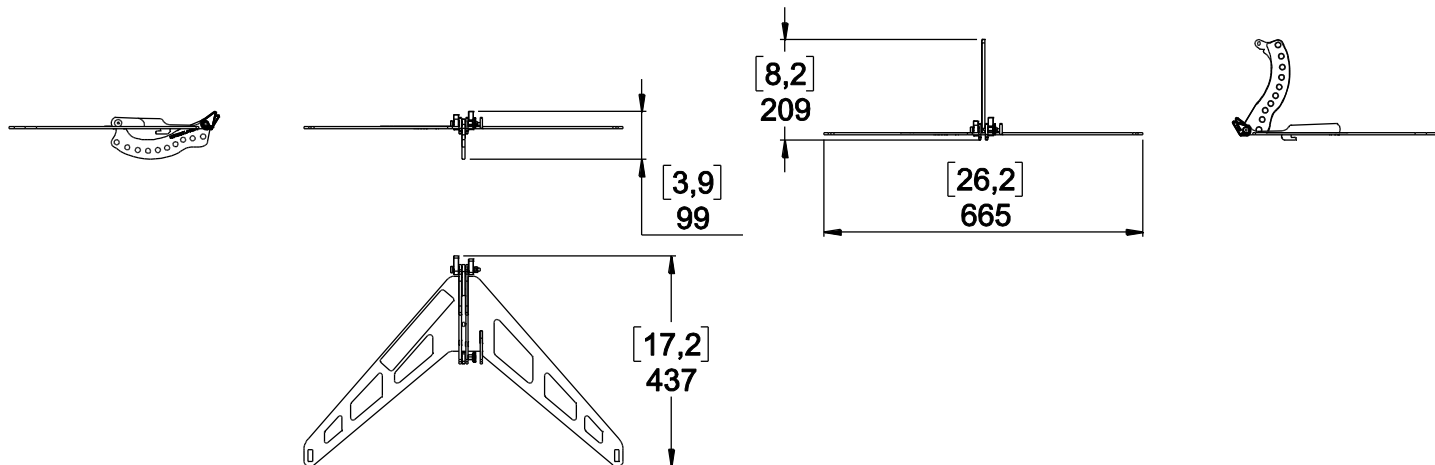


### Contents:



Weight: 3 kg / 6.6 lb

## Dimensions:



## Use:

<p>Pull the latch to unlock the link bar.</p>	<p>Place MNSTKM12 on MSUB18. Set the rear in the slot and push it forward.</p>
<p>Unlock the side rig of MSUB18.</p>	<p>Use the levers to lock MNSTKM12 on MSUB18.</p>

# NEXO

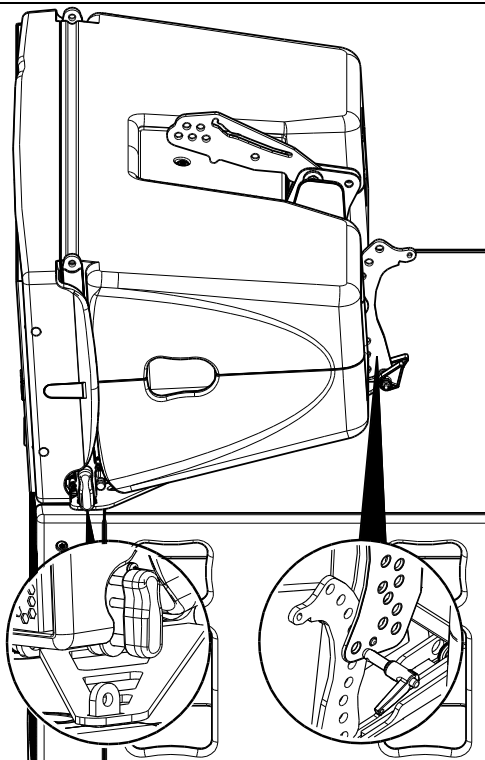
nexo-sa.com  
 ZA du Pre de la Dame Jeanne  
 60128 PLAILLY - France

- Read this document before using.
- Keep this document.
- Observe all warnings and cautions.

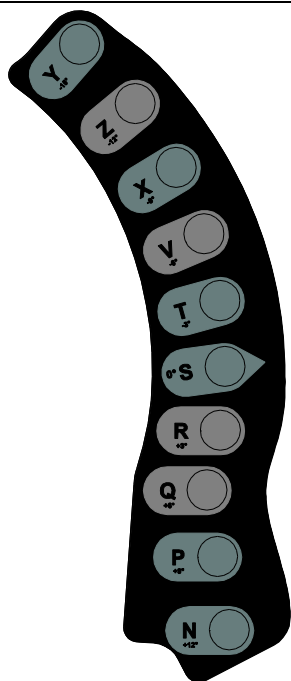


Place the first GEOM12, and check for correct locking.

You have to get off the link bar of GEOM10 before adjusting the tilt of the first GEOM12.



Adjust the angle between GEOM12 and MSUB18 using the Ball Lock of GEOM12 to lock the link bar of MNSTKM12 and GEOM12 (mark BUMPER and the desired angle).



- Y ⇔ - 15°
- Z ⇔ - 12°
- X ⇔ - 9°
- V ⇔ - 6°
- T ⇔ - 3°
- S ⇔ 0°
- R ⇔ + 3°
- Q ⇔ + 6°
- P ⇔ + 9°
- N ⇔ + 12°

### WARNING: Use 3x GEOM12 max

- NEXO cannot accept responsibility for accidents caused by any factor other than defects in this product itself.
- Please check the web site [nexo-sa.com](http://nexo-sa.com) for the latest update.

# NEXO

nexo-sa.com  
ZA du Pre de la Dame Jeanne  
60128 PLAILLY - France

- Read this document before using.
- Keep this document.
- Observe all warnings and cautions.

