



KWWDL35Q

35w LED Rectangular Wall Washer, 40000hrs



Product Overview

The Kosnic LED Wall Washer Downlight is recessed into the ceiling and tilts through 45 degrees. With a high CRI the downlight has many applications in retail display, showrooms, entertainment and hospitality. The downlight has a 110 degree beam angle and is available with different colour temperatures from 3000K to replicate halogen lighting to cooler 6000K. Manufactured from cast aluminium with a high quality reflector the Kosnic Wall Washer Downlight delivers where a highly efficient, high quality lighting solution is required.

Features

Simple and elegant appearance.

Uniform soft light for perfect presentation without dark areas.

Easy to install.

Supplied with separate flicker free Class II independent driver.

High CRI.

High lumen output.

Long life of 40,000h.

Instant start.

Negligible UV output.

Mercury free.

Unit D2 Kennetside, Bone Lane

Newbury, Berkshire

T: 01635 523 713 E: sales@kosnic.com W: <http://www.kosnic.com>

Specifications

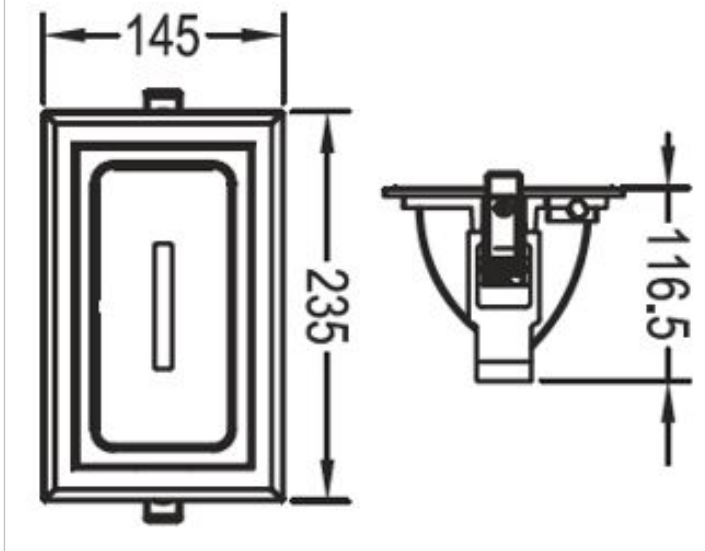
	KWWDL35Q-W30	KWWDL35Q-W40	KWWDL35Q-W65
Shape / Type	Rectangular Wall Washer	Rectangular Wall Washer	Rectangular Wall Washer
Colour Finish	White	White	White
Materials	Diecast Aluminium	Diecast Aluminium	-
Optics Type	Polycarbonate Diffuser	Polycarbonate Diffuser	Polycarbonate Diffuser
Wattage (w)	35	35	-
Total Lumens (lm)	2960	3050	-
Input Current (mA)	160	160	-
Input Voltage	220-240Vac	220-240Vac	-
CCT Temperature (k)	3000	4000	-
CCT Name	Warm White	Cool White	-
Rated Life (hrs)	40000	40000	-
Nominal Lifetime (hrs)	40000	40000	40000
Switch Cycles	50000	50000	-
Beam Angle (°)	110	110	-
CRI	82	82	-
Dimmable	No	No	-
Suitable for Accent Lighting	No	No	No
Power Factor	0.95	0.95	-
Class Protection	Class III	Class III	-
Connection	Driver wiring leads	Driver wiring leads	Driver wiring leads
Start Time (s)	0.1	0.1	-
Warm-up Time (s)	Instant full light	Instant full light	Instant full light
Length (mm)	235	235	-

Width (mm)	145	145	-
Depth (mm)	116.5	116.5	-
Cut-out (mm)	220 x 130	220 x 130	220 x 130
Mercury (mg)	0	0	0
Rated Power (W)	35.00	35.00	35.00
Rated Luminous Flux (lm)	2960	3050	-
LMF at Lifetime	0.75	0.75	0.75
SDCM of CCT	<6	<6	<6
Ambient Temperature (°C)	-20 to 40	-20 to 40	-
Barcode	-	5060063426785	-

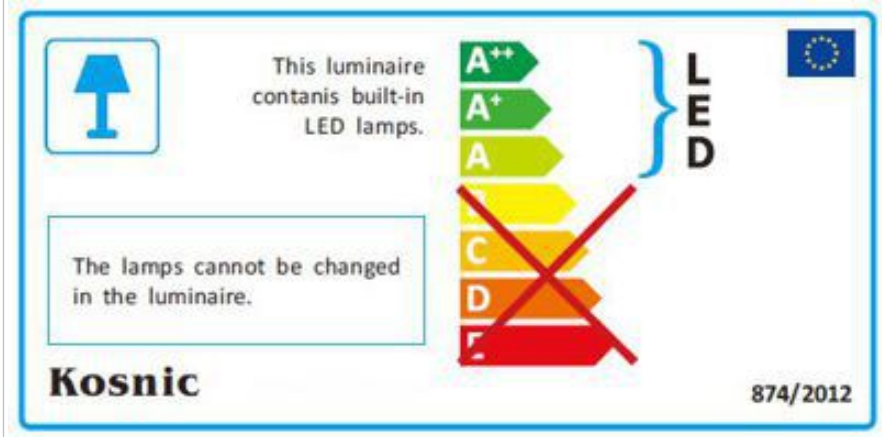
Packaging

	KWWDL35Q-W30	KWWDL35Q-W40	KWWDL35Q-W65
Outer Box Length (mm)	545	545	-
Outer Box Width (mm)	320	320	-
Outer Box Height (mm)	310	310	-
Volume	0.054064	0.054064	-
Box Quantity	8	8	-
Outer Box Weight (kg)	16	16	-

KWWDL35Q-W30
KWWDL35Q-W40
KWWDL35Q-W65



KWWDL35Q-W30
KWWDL35Q-W40
KWWDL35Q-W65



Datasheet generated from <http://www.electrika.com> last updated Tuesday, May 22, 2018 1:43:21 PM