



KWWDL25Q

25w LED Rectangular Wall Washer, 40000hrs



Product Overview

The Kosnic LED Wall Washer Downlight is recessed into the ceiling and tilts through 45 degrees. With a high CRI the downlight has many applications in retail display, showrooms, entertainment and hospitality. The downlight has a 110 degree beam angle and is available with different colour temperatures from 3000K to replicate halogen lighting to cooler 6000K. Manufactured from cast aluminium with a high quality reflector the Kosnic Wall Washer Downlight delivers where a highly efficient, high quality lighting solution is required.

Features

Simple and elegant appearance.

Uniform soft light for perfect presentation without dark areas.

Easy to install.

Supplied with separate flicker free Class II independent driver.

Compatible with Kosnic's KTC27EME-DWL emergency module.

High CRI.

High lumen output.

Long life of 40,000h.

Instant start.

Negligible UV output.

Mercury free.

Unit D2 Kennetside, Bone Lane

Newbury, Berkshire

T: 01635 523 713 E: sales@kosnic.com W: <http://www.kosnic.com>

Specifications

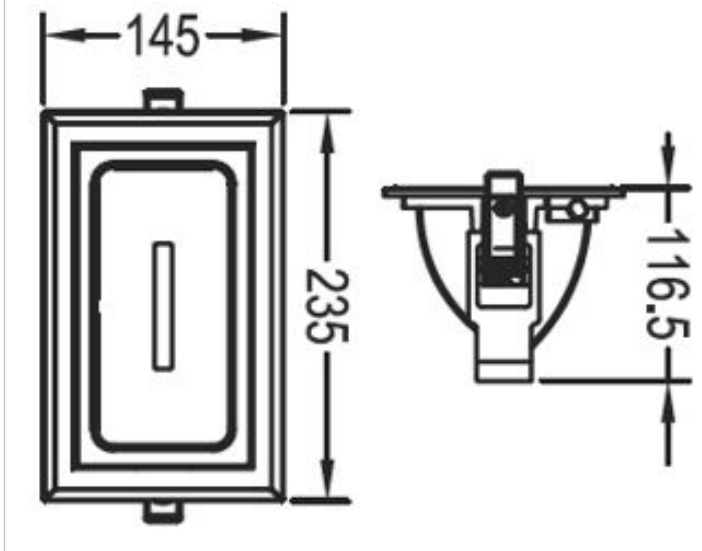
	KWWDL25Q-W30	KWWDL25Q-W40	KWWDL25Q-W65
Shape / Type	Rectangular Wall Washer	Rectangular Wall Washer	Rectangular Wall Washer
Colour Finish	White	White	White
Materials	Diecast Aluminium	Diecast Aluminium	-
Optics Type	Polycarbonate Diffuser	Polycarbonate Diffuser	Polycarbonate Diffuser
Wattage (w)	25	25	-
Total Lumens (lm)	2050	2120	-
Input Current (mA)	114	114	-
Input Voltage	220-240Vac	220-240Vac	-
CCT Temperature (k)	3000	4000	-
CCT Name	Warm White	Cool White	-
Rated Life (hrs)	40000	40000	-
Nominal Lifetime (hrs)	40000	40000	40000
Switch Cycles	50000	50000	-
Beam Angle (°)	110	110	-
CRI	82	82	-
Dimmable	No	No	-
Emergency	Compatible	Compatible	Compatible
Suitable for Accent Lighting	No	No	No
Power Factor	0.95	0.95	-
Class Protection	Class III	Class III	-
Connection	Driver wiring leads	Driver wiring leads	Driver wiring leads
Start Time (s)	0.1	0.1	-
Warm-up Time (s)	Instant full light	Instant full light	Instant full light

Length (mm)	235	235	-
Width (mm)	145	145	-
Depth (mm)	116.5	116.5	-
Cut-out (mm)	220 x 130	220 x 130	220 x 130
Mercury (mg)	0	0	0
Rated Power (W)	25.00	25.00	25.00
Rated Luminous Flux (lm)	2050	2120	-
LMF at Lifetime	0.75	0.75	0.75
SDCM of CCT	<6	<6	<6
Ambient Temperature (°C)	-20 to 40	-20 to 40	-
Emergency Luminous Flux	160	160	160
Barcode	-	5060063426808	-

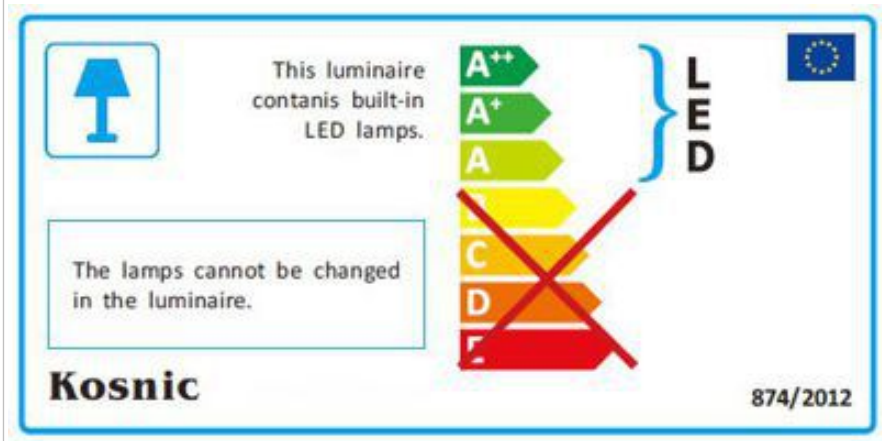
Packaging

	KWWDL25Q-W30	KWWDL25Q-W40	KWWDL25Q-W65
Outer Box Length (mm)	-	545	-
Outer Box Width (mm)	-	320	-
Outer Box Height (mm)	-	310	-
Volume	-	0.054064	-
Box Quantity	-	8	-
Outer Box Weight (kg)	-	16	-

KWWDL25Q-W30
KWWDL25Q-W40
KWWDL25Q-W65



KWWDL25Q-W30
KWWDL25Q-W40
KWWDL25Q-W65



Datasheet generated from <http://www.electrika.com> last updated Tuesday, May 22, 2018 1:43:12 PM