



KWWDL34

34w LED Circular Wall Washer, 40000hrs, White



Product Overview

The Kosnic LED Wall Washer Downlight rotates through 350 degrees and has a 60 degree tilt. With a high CRI the downlight has many applications in retail display, showrooms, entertainment and hospitality. The downlight is available in 15 degree and 40 degree beam angle options along with different colour temperatures of 3000K to replicate halogen lighting and cooler 5000K. Manufactured from cast aluminium with a high quality reflector the Kosnic Wall Washer Downlight delivers where a highly efficient, high quality lighting solution is required.

Features

Simple and elegant appearance.

Uniform soft light for perfect presentation without dark areas.

Easy to install.

Supplied with separate Class II IP20 independent driver.

Compatible with Kosnic's KTC27EME-DWL emergency module.

High CRI.

High lumen output.

Long life of 40,000h.

Instant start.

Negligible UV output.

Mercury free.

Specifications

	KWWDL34-B30 ^[1]	KWWDL34-B50 ^[1]
	KWWDL34-S30 ^[2]	KWWDL34-S50 ^[2]
Shape / Type	Wall Washer Downlight	Wall Washer Downlight
Colour Finish	White	White
Materials	Diecast Aluminium	Diecast Aluminium
Optics Type	Reflector	Reflector
Wattage (w)	34	34
Total Lumens (lm)	2800 ^[1] 2300 ^[2]	3100 ^[1] 2900 ^[2]
Input Current (mA)	155	155
Input Voltage	220-240Vac	220-240Vac
CCT Temperature (k)	3000	5000
CCT Name	Warm White	Day Light
Rated Life (hrs)	40000	40000
Nominal Lifetime (hrs)	40000	40000
Switch Cycles	50000	50000
Peak Candelas (cd)	25500 ^[1] 5030 ^[2]	27600 ^[1] 5680 ^[2]
Beam Angle (°)	15 ^[1] 40 ^[2]	15 ^[1] 40 ^[2]
CRI	82	82
Dimmable	No	No
Emergency	Compatible	Compatible
Suitable for Accent Lighting	Yes	Yes
Power Factor	0.95	0.95
Class Protection	Class III	Class III

Unit D2 Kennetside, Bone Lane
Newbury, Berkshire

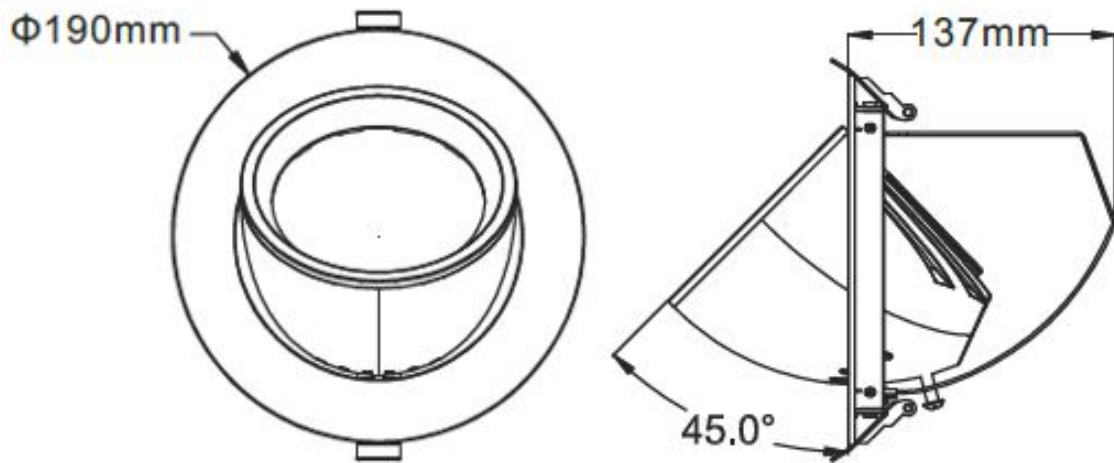
T: 01635 523 713 E: sales@kosnic.com W: <http://www.kosnic.com>

Connection	Driver wiring leads	Driver wiring leads
Start Time (s)	0.1	0.1
Warm-up Time (s)	Instant full light	Instant full light
Depth (mm)	159	159
Diameter (mm)	188	188
Cut-out (mm)	170	170
Mercury (mg)	0	0
Rated Power (W)	34.00	34.00
Rated Luminous Flux (lm)	2800 ^[1] 2300 ^[2]	3100 ^[1] 2900 ^[2]
LMF at Lifetime	0.75	0.75
SDCM of CCT	<6	<6
Ambient Temperature (°C)	-20 to 50	-20 to 40 ^[1] -20 to 50 ^[2]
Emergency Luminous Flux	220	220

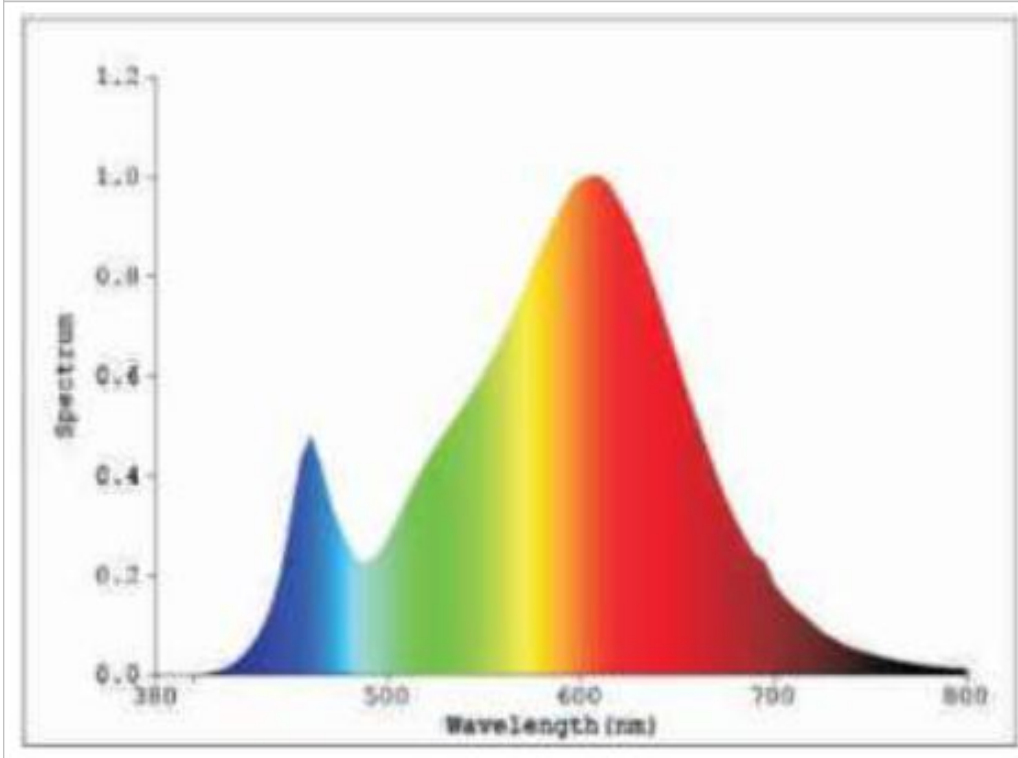
Packaging

	KWWDL34-B30 ^[1]	KWWDL34-B50 ^[1]
	KWWDL34-S30 ^[2]	KWWDL34-S50 ^[2]
Outer Box Length (mm)	410	410
Outer Box Width (mm)	410	410
Outer Box Height (mm)	415	415
Volume	0.0697615	0.0697615
Box Quantity	8	8
Outer Box Weight (kg)	12.2	12.2

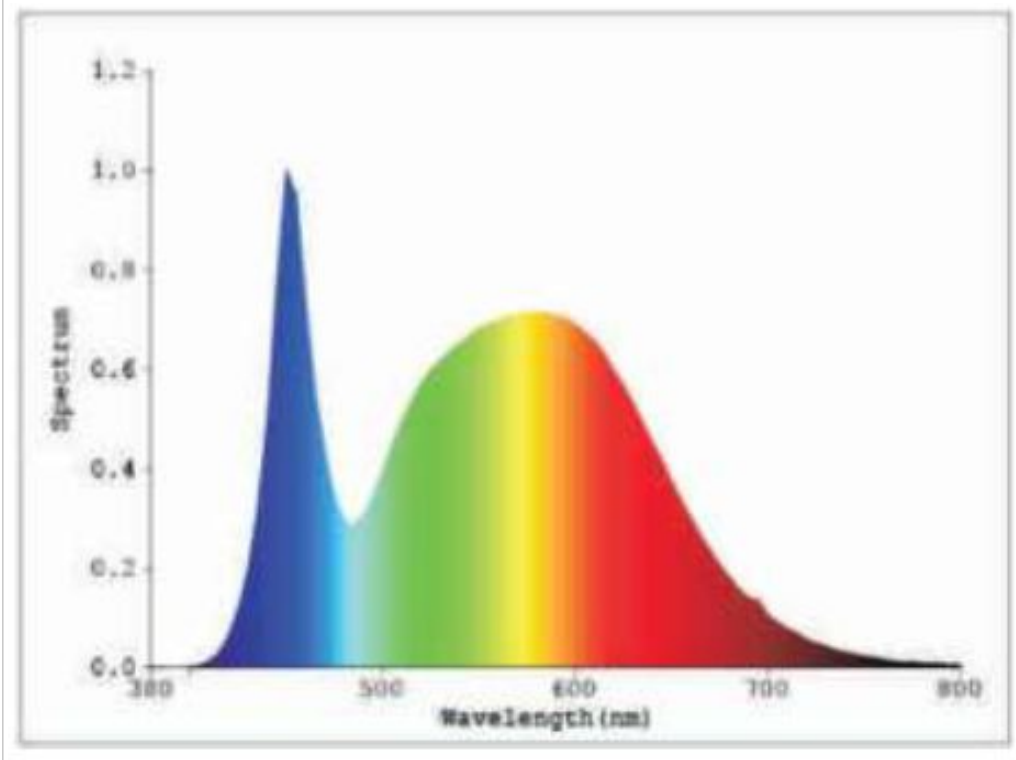
KWWDL34-B30
KWWDL34-B50
KWWDL34-S30
KWWDL34-S50



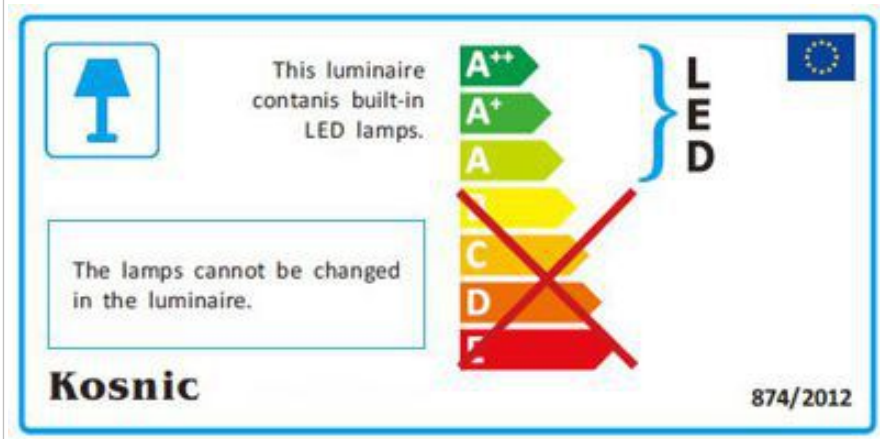
KWWDL34-B30
KWWDL34-S30



KWWDL34-B50
KWWDL34-S50



KWWDL34-B30
KWWDL34-B50
KWWDL34-S30
KWWDL34-S50



Datasheet generated from <http://www.electrika.com> last updated Tuesday, May 15, 2018 11:28:03 AM