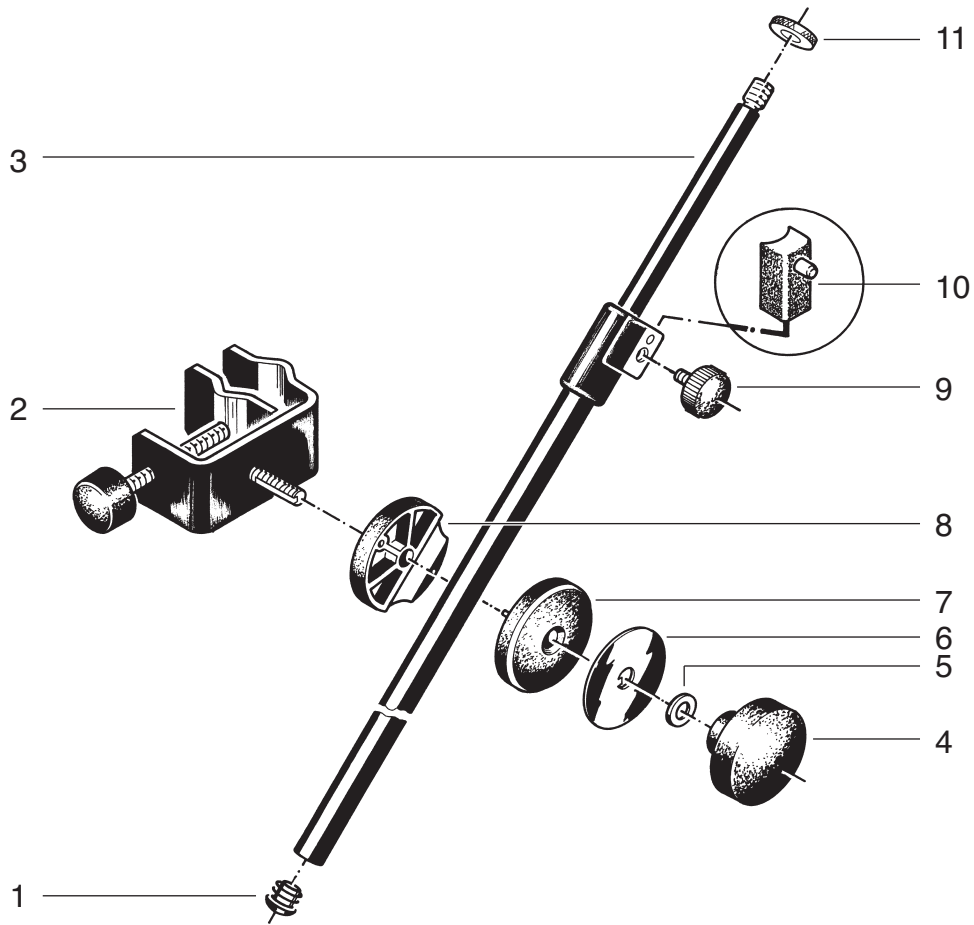


258 Table Microphone Clamp

25800.300.55 black



pos.	description	art.-no.	qty
1	plastic end-cap	03.20.620.55	1
2	table clamp cpl.	7.258.000155	1
3	extension rod cpl.	7.258.030255	1
4	locking knob M8	01.82.552.55	1
5	washer \varnothing 8,4 mm	03.11.520.29	1
6	washer with snug	01.42.520.55	1
7	clamp washer with cone	01.86.981.55	1
8	clamp washer	01.86.980.55	1
9	knurled knob M6 x 16 mm	01.82.833.55	1
10	plastic locking spacer	01.86.620.55	1
11	aluminum threaded washer 3/8"	03.31.525.00	1