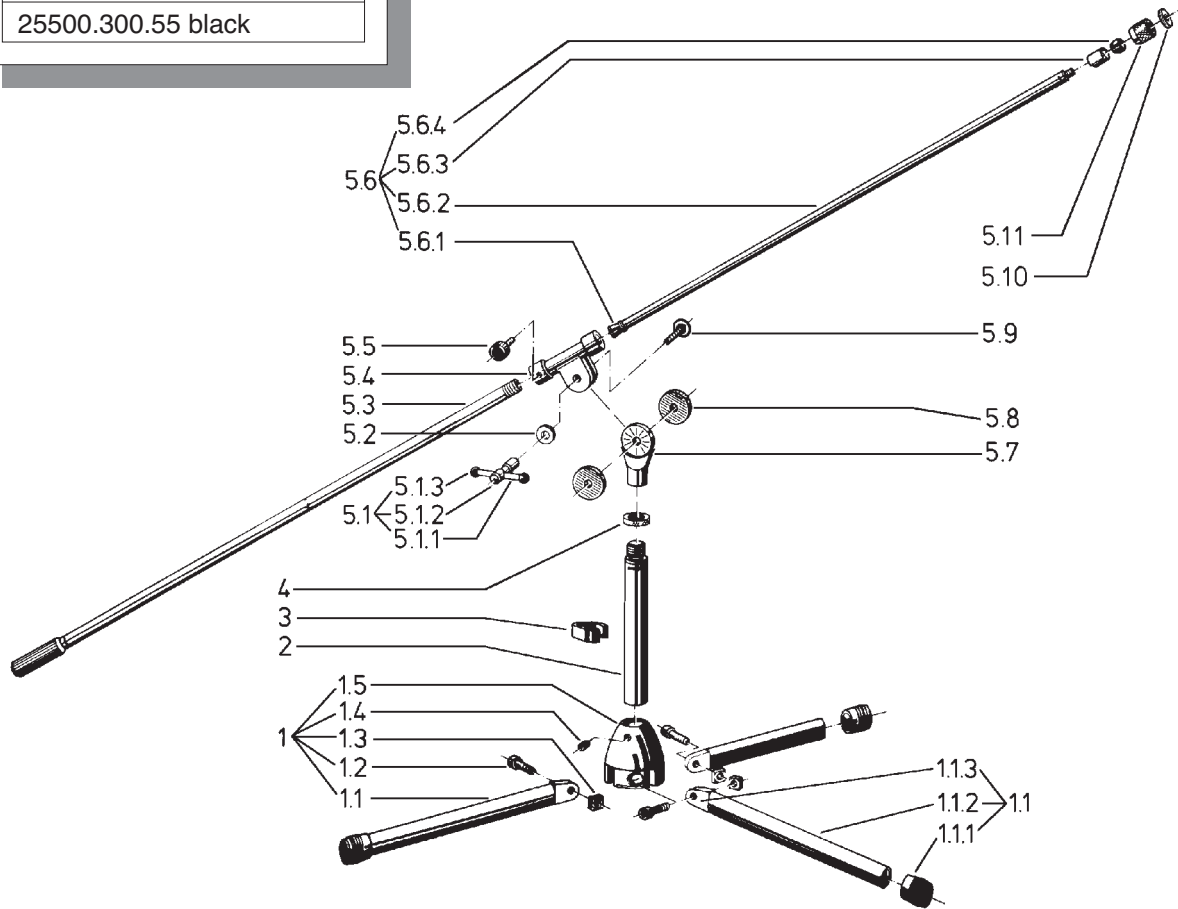


**255 Microphone Stand**

25500.300.02 chrome

25500.300.55 black



| pos.  | description                                 | art.-no.<br>chrome | art.-no.<br>black | qty |
|-------|---|--------------------|-------------------|-----|
| 1     | base complete, consisting of:               | 7.255.000202       | 7.255.000255      | 1   |
| 1.1   | leg complete, consisting of:                | 7.255.000102       | 7.255.000155      | 3   |
| 1.1.1 | leg end cap                                 | 01.84.980.55       | 01.84.980.55      | 1   |
| 1.1.2 | leg   | 01.03.861.02       | 01.03.861.55      | 1   |
| 1.1.3 | connector joint                             | 01.87.939.55       | 01.87.939.55      | 1   |
| 1.2   | allen screw M5 x 36 mm                      | 03.02.176.00       | 03.02.176.00      | 1   |
| 1.3   | square nut M5                               | 03.08.210.29       | 03.08.210.29      | 1   |
| 1.4   | threaded locking pin M6 x 25 mm             | 03.04.315.00       | 03.04.315.00      | 1   |
| 1.5   | socket                                      | 02.41.130.55       | 02.41.130.55      | 1   |
| 2     | base rod with 3/8" thread                   | 7.255.050602       | 7.255.050655      | 1   |
| 3     | cable holder                                | 01.85.970.55       | 01.85.970.55      | 1   |
| 4     | aluminum threaded washer                    | 03.31.530.00       | 03.31.555.15      | 1   |
| 5     | boom-arm complete, consisting of:           | 7.255.030502       | 7.255.030555      | 1   |
| 5.1   | T-bar screw assembly, consisting of:        | 7.211.000402       | 7.211.000455      | 1   |
| 5.1.1 | double sided M5 threaded rod                | 02.30.310.02       | 02.30.310.15      | 1   |
| 5.1.2 | locking nut M8                              | 02.30.350.02       | 02.30.350.15      | 1   |
| 5.1.3 | plastic ball for rod ends                   | 03.22.510.55       | 03.22.510.55      | 2   |
| 5.2   | steel washer                                | 03.11.525.01       | 03.11.525.01      | 1   |
| 5.3   | boom-arm rod                                | 7.255.000702       | 7.255.000755      | 1   |
| 5.4   | swivel connector                            | 01.50.552.55       | 01.50.552.55      | 1   |
| 5.5   | knurled knob M6 x 12 mm                     | 01.82.828.55       | 01.82.828.55      | 1   |
| 5.6   | boom-arm extension rod cpl., consisting of: | 7.255.030402       | 7.255.030455      | 1   |
| 5.6.1 | plastic end stop                            | 01.85.070.55       | 01.85.070.55      | 1   |
| 5.6.2 | extension rod with 3/8" thread              | 7.255.030302       | 7.255.030355      | 1   |
| 5.6.3 | spacer sleeve                               | 01.65.180.00       |                   | 1   |
| 5.6.4 | clamping ring                               | 01.85.410.55       | 01.85.410.55      | 1   |
| 5.7   | swivel head                                 | 02.40.440.55       | 02.40.440.55      | 1   |
| 5.8   | rubber washer 3 mm thick                    | 03.21.160.55       | 03.21.160.55      | 2   |
| 5.9   | carriage bolt M8 x 30 mm                    | 03.07.530.25       | 03.07.530.25      | 1   |
| 5.10  | knurled round nut                           | 03.31.525.00       | 03.31.550.15      | 1   |
| 5.11  | knurled cap nut                             | 02.30.220.02       | 02.30.220.00      | 1   |