

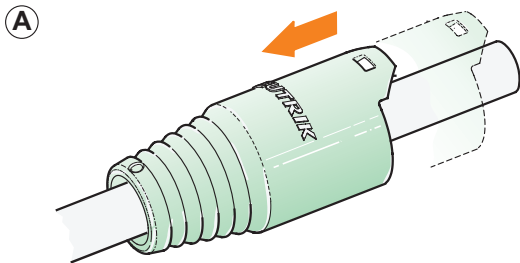
# Push-Pull BNC

## 75Ω Cable Connector

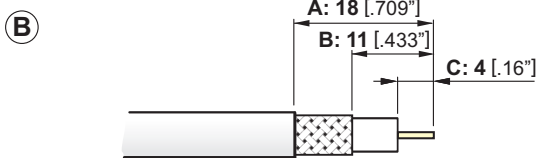
### Chuck type strain relief

## Assembly Instructions

Select the proper connector part number in Neutrik's cable cross reference list!

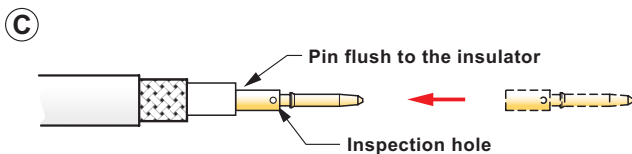


**A** Slide the boot onto the cable.



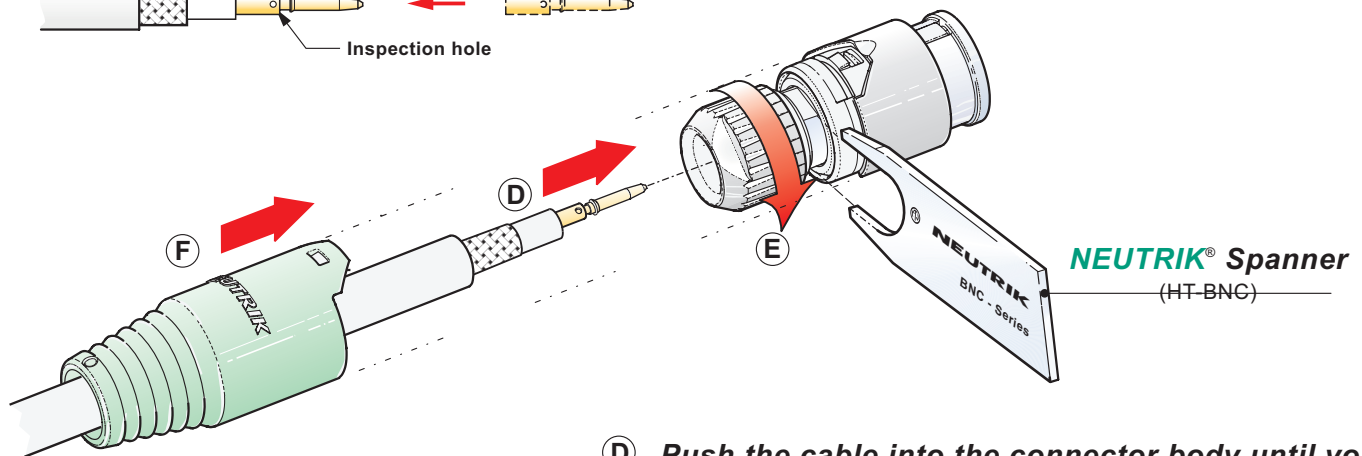
**B** Prepare cable as shown.

- Use an adjustable coaxial cable stripper is recommended.



**C** Crimp the pin.

- position the pin on the center conductor
- Crimp the pin with the tool  
(For best crimping-results it is recommended to use the original Neutrik crimp tool - HXBNC with the corresponding insert or hexcrimp acc. to IEC 803-W (SW 1.7) or squarecrimp acc. to IEC 803-2 (SW 1.6)
- Pin can also be soldered (Optional)!
- Straighten the pin if misaligned.



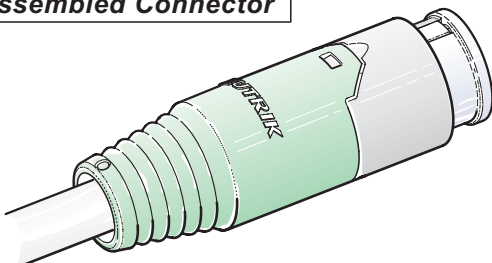
**D** Push the cable into the connector body until you hear a snap.

**E** Tighten the bushing.

- for stronger tightening use the Neutrik Spanner HT-BNC

**F** Snap the sleeve onto the connector body.

**Assembled Connector**



**NEUTRIK AG**  
Liechtenstein

Tel.: +423/237 24 24  
Fax: +423/232 53 93  
www.neutrik.com

**NEUTRIK Zürich AG**  
Switzerland

Tel.: +41 44/736 5010  
Fax: +41 44/736 5011

**NEUTRIK (UK) Ltd.**  
Great Britain

Tel.: +44 1983/811 441  
Fax: +44 1983/811 439

**NEUTRIK USA INC.**  
USA

Tel.: +1 732/901 9488  
Fax: +1 732/901 9608

**NEUTRIK Tokyo Ltd.**  
Japan

Tel.: +81 3/3663 4733  
Fax: +81 3/3663 4796

**NEUTRIK France**  
France

Tel.: +33 1/4131 6750  
Fax: +33 1/4131 0511

**NEUTRIK Vertriebs GmbH**  
Germany/Netherlands/Austria

Tel.: +49 8131/28 08 90  
Fax: +49 8131/28 08-30

Draft. Nr.: BDA 046 / 3102M0761  
Update: 06.03. 2006

Data subject to change without prior notice. ©2006 NEUTRIK®, ALL RIGHTS RESERVED.



**NEUTRIK®**  
CONNECTING THE WORLD