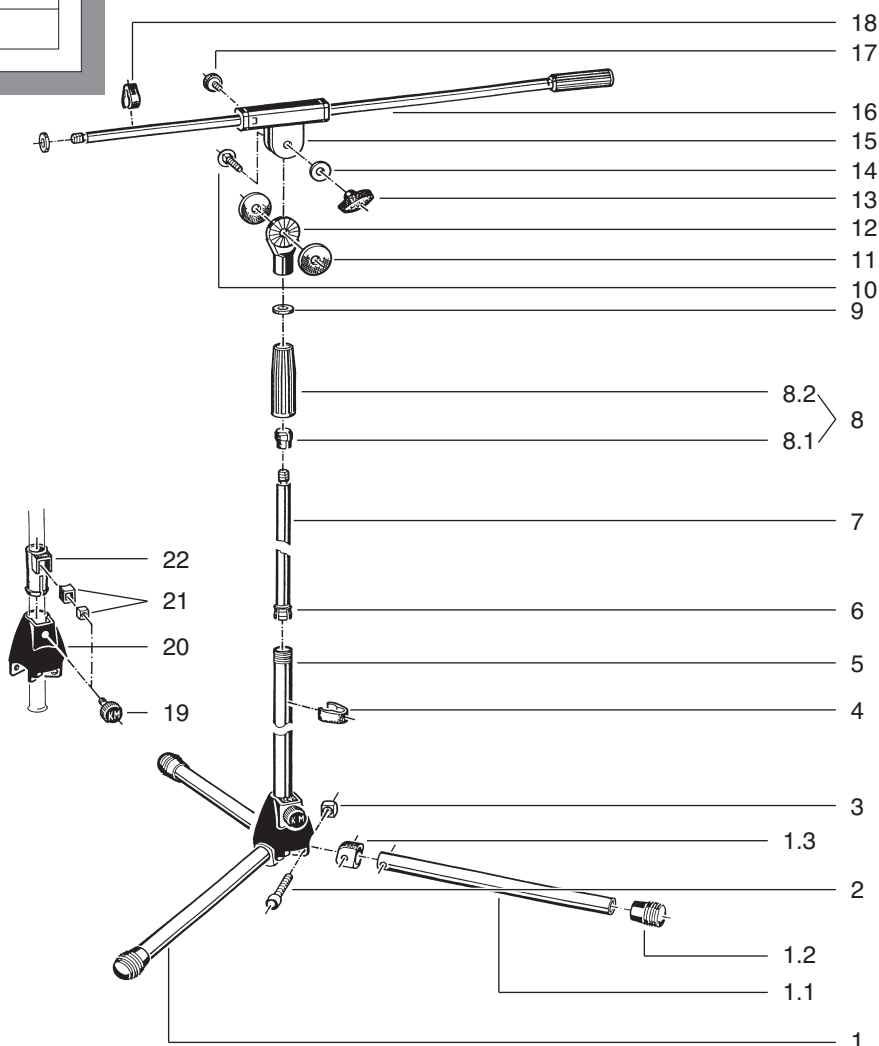


210/6 Microphone Stand

21060.300.01 nickel

21060.300.55 black



pos.	description	art.-no. nickel	art.-no. black	qty
1	leg complete, consisting of:	6.83525.1.01	6.83525.1.55	3
1.1	leg tubing	02.83.525.01	02.83.525.55	1
1.2	end-caps	01.84.980.55	01.84.980.55	1
1.3	plastic conector joint	01.87.939.55	01.87.939.55	1
2	allen screw M5 x 40 mm	03.02.180.00	03.02.180.00	3
3	locking nut M5	03.08.210.29	03.08.210.29	3
4	plastic cable holder ø 20 mm	01.85.970.55	01.85.970.55	1
5	base rod	02.75.420.01	02.75.420.55	1
6	plastic stop	01.85.070.55	01.85.070.55	1
7	extension rod complete	7.200.030901	7.270.030555	1
8	sleever assamby complete, consisting of:	7.200.000555	7.200.000955	1
8.1	plastic ring	01.86.820.55	01.86.820.55	1
8.2	plastic tightening sleeve	01.86.920.55	01.86.920.55	1
9	aluminum threaded washer 3/8"	03.31.525.00	03.31.550.15	2
10	carriage bolt M8 x 30 mm	03.07.530.25	03.07.530.25	1
11	rubber washer 3 mm	03.21.160.55	03.21.160.55	2
12	swivel head 3/8"	02.40.430.55	02.40.430.55	1
13	locking knob	01.83.980.55	01.83.980.55	1
14	washer ø 8,4 mm	03.11.525.01	03.11.525.01	1
15	swivel joint	6.27105.1.55	6.27105.1.55	1
16	extension tube complete	7.270.030801	7.270.030855	1
17	toggle screw M6 x 12 mm with K&M logo	01.82.828.55	01.82.828.55	1
18	plastic cable holder ø 15 mm	01.85.960.55	01.85.960.55	1
19	toggle screw M6 x 22 mm with K&M logo	01.82.838.55	01.82.838.55	1
20	socket	02.41.080.55	02.41.080.55	1
21	plastic locking spacer complete	6.86648.1.55	6.86648.1.55	1
22	spacer ring	01.86.540.55	01.86.540.55	1