

Technical Information

No. FO 4929

Edition: 09/02 - subject to change

Substitutes: 02/02

Status: valid



Metal Halide Lamp

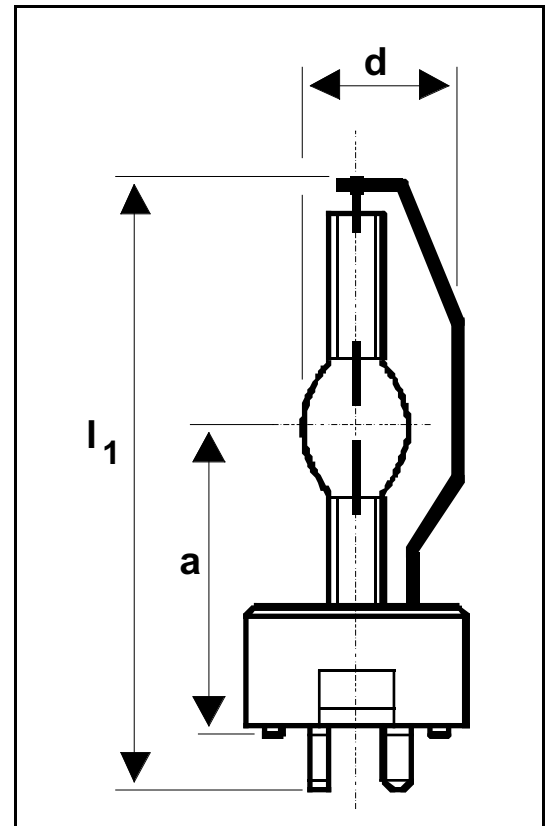
HTI[®] 705 W/SE

■ Product description

The OSRAM HTI[®] 705 W/SE is a single-ended metal halide lamp without outer bulb. The OSRAM "eXtreme Seal" technology enables higher pinch temperatures up to max. 450 °C. Having a similar design and size this lamp offers more power and luminous flux than the HTI[®] 600 W/SE. The HTI[®] 705 W/SE is mainly designed for the effect light and commercial projection field.

■ Technical data

Order reference		HTI [®] 705 W/SE
Rated lamp wattage	W	700
Rated lamp voltage	V	70
Rated lamp current (~)	A	10
Ignition voltage (cold)	kV _s	2.5
Luminous flux	lm	59,000
Luminous efficacy	lm/W	85
Color coordinates x / y		0.332 / 0.345
Color temperature	K	5,500
Color rendering index	CRI	> 80
Electrode gap e	mm	4.0
Lamp length (overall) l ₁	mm	max. 85
Width d	mm	24 ± 1
LCL a	mm	39
Average service life	h	500
Base		GY 9.5



■ Lamp operation

Maximum permissible pinch temperature °C 450 (eXtreme Seal)

Cooling forced cooling, fan

Burning position horizontal ± 45°, current bar downwards, p 45 / for moving heads ANY

The HTI[®] 705 W/SE can either be operated on electronic power supplies (ECG) or on standard ballasts. In terms of performance ECG operation is to be preferred.

■ Manufacturers of igniters and control gear (not all officially approved by OSRAM)

Igniters: Mitronic ZGV 40-12; Schiederwerk 5kV/15A, ERC 640042

Ballasts: ERC 686720

ECG: Mitronic PE 575-AB, 575-MB, PFPE 60-7, PFPE 60-3
Schiederwerk EVG 12-7

Further information on operating and control device requirements is available with the OSRAM brochure "Guidelines for Control Gear and Igniters - Metal Halide Lamps Photo Optic", order reference 123T01E.