



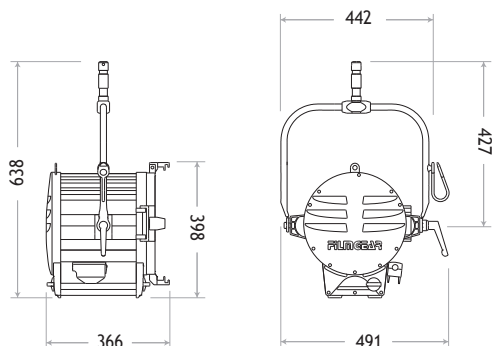
Tungsten Fresnel 2000W Studio

LAMPHEAD CONTENTS

- Lamp Housing without Bulb (purple grey & silver color)
- 4-leaf Rotatable Barndoor with Safety Wire
- Ø250mm (10 in.) Fresnel Lens
- Panel Switch
- Inlet Cable 4m (13 ft.)
- Stirrup with Ø28mm (1-1/8 in.) Spigot

Requires Lamp Bulb

DIMENSIONS (mm)



Tungsten Fresnel 2000W Studio

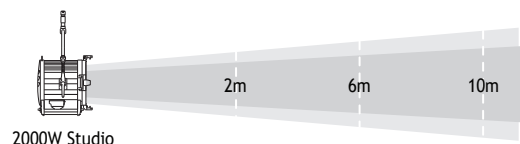
SPECIFICATIONS

| | |
|-------------------------------------|--------------------------|
| Identity No. | L02000TF |
| Capacity | 2,000W |
| Voltage | 100 - 250V AC |
| Fresnel Lens | Ø250mm (9-7/8 in.) |
| Lamp Type | 2000W SE |
| Color Temp. | 3200K |
| Lamp Holder | G38 |
| Stirrup | Ø28mm (1-1/8 in.) Spigot |
| Class / IP Rating | 1 / IP 23 |
| Max. Surface Temp. | 190 °C |
| Max. Ambient Temp. | 45 °C |
| Min. Distance to Illuminated Object | 2 m |
| Min. Distance to Flammable Object | 1 m |
| Operating Range | +45° ~ 0° ~ -45° |
| Weight (lamphead) | 12.2 kg |
| Weight (with barndoor) | 13.9 kg |

ACCESSORIES

- 4-leaf Rotatable Barndoor
- Filter Frame
- Set of 4 Scrims Ø330mm (13 in.) :
 - Full Single, Full Double, Half Single, Half Double
- Scrim Bag
- Variable Snoot
- Spill Ring
- Safety Cable (for lamphead)
- Safety Wire (for barndoor)

PHOTOMETRIC DATA



2000W Studio

| | 2m | 6m | 10m |
|-------------|--------|--------|--------|
| Spot (9°) | | | |
| Lux | 95319 | 10591 | 3813 |
| Beam Ø | 0.31 m | 0.94 m | 1.57 m |
| Flood (52°) | | | |
| Lux | 10933 | 1215 | 437 |
| Beam Ø | 1.95 m | 5.85 m | 9.75 m |