

### A0720020 Aberdeen S3 WW

**Technical specifications:**

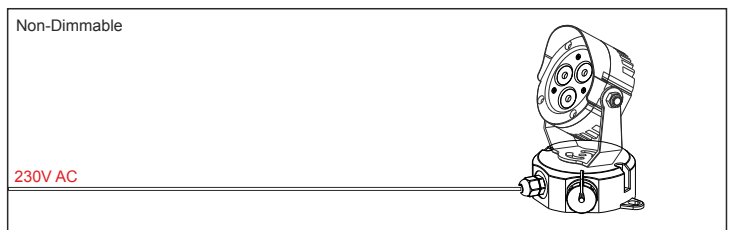
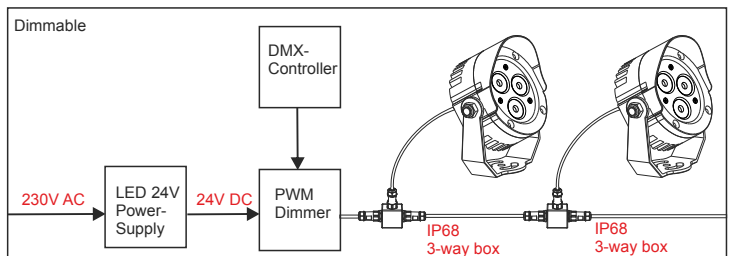
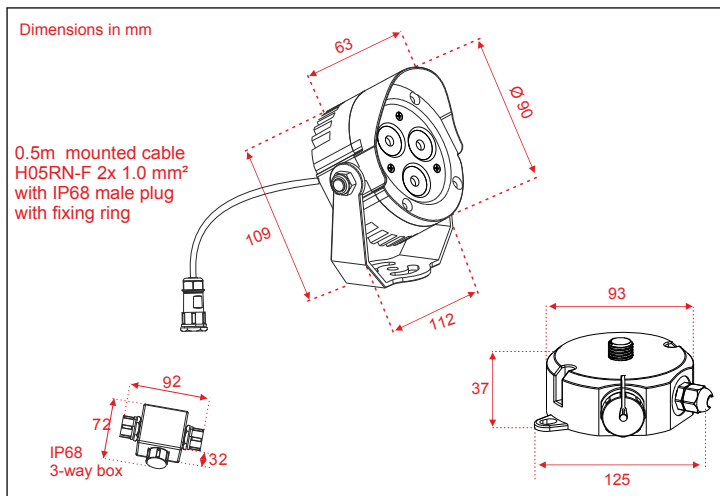
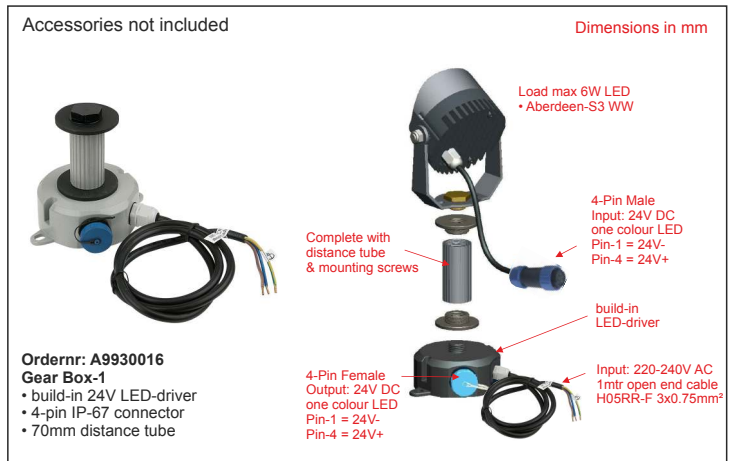
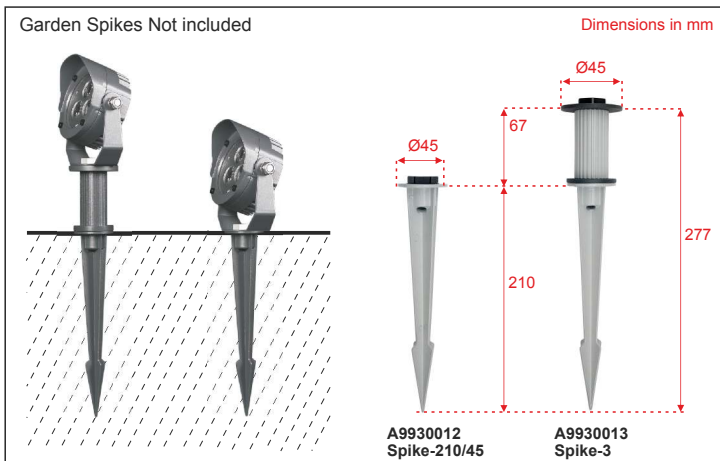
LED system: 3x 2W warm-white LED  
 Beam angle: 15°  
 Power consumption: 6W / 137Lm  
 Power connection: 24V DC by LED-Power supply  
 Housing + mountingbase: Grey powder coated die-casting aluminum (T=50-55µm Adhesion of I)  
 Glass: Tempered glass T=3mm  
 Lens: optical lens, efficiency >85%  
 Ambient Temperature: -0°C / +40°C  
 Cooling system: Convection  
 Included mounted cable H05RN-F 2x 1.0mm<sup>2</sup> L1.5m with IP-68 mounted male plug

Attention: This high power LED fixture cannot be installed under water

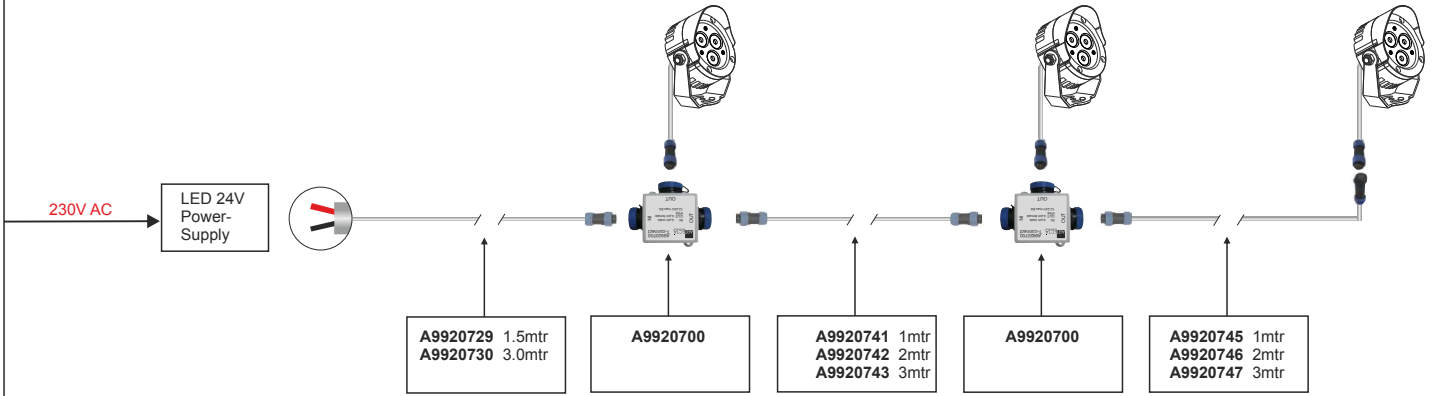
<b>KG</b> 0.68	<b>Voltage</b> 24V DC	<b>Class</b> Class III	<b>IP</b> IP-65	<b>LED-Power</b> 3x 2W	<b>15°</b> Symmetric LED-Lens	<b>IES-File</b> available	<b>Dimensions</b> Ø 90 mm W 112 mm D 63 mm
-------------------	--------------------------	---------------------------	--------------------	---------------------------	----------------------------------	------------------------------	---



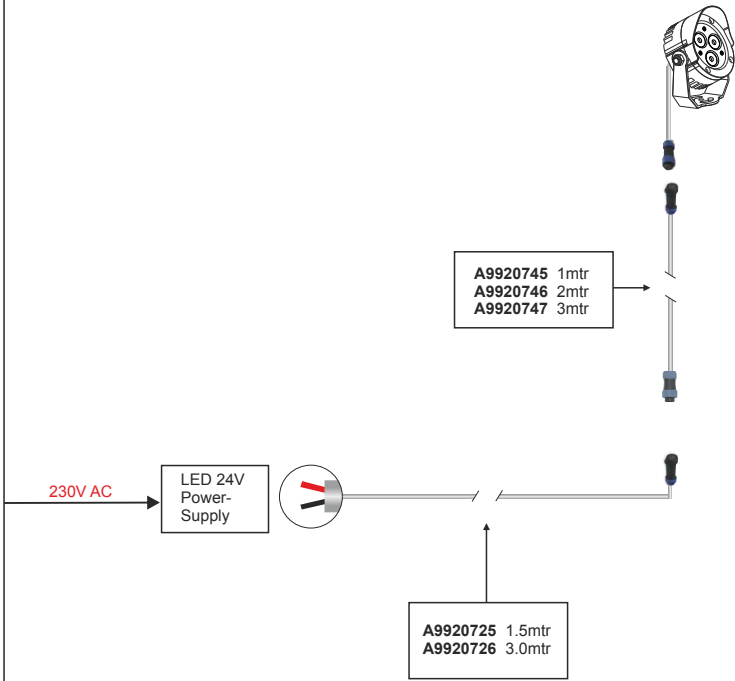
4-pin male IP68



# Low voltage connection



# Low voltage connection



**IP68 4-pin Chassis**  
 A9920707 male  
 A9920708 female

**IP68 4-pin Connectors**  
 A9920709 male +fixing ring  
 A9920712 male  
 A9920711 female + fixing ring  
 A9920710 female

**IP68 4-pin Extension Cables**  
 male+fixing ring to female+fixing ring  
 (T-connect to T-connect)  
 A9920741 1mtr  
 A9920742 2mtr  
 A9920743 3mtr

**IP68 4-pin Extension Cables**  
 male connector+fixing ring to female connector  
 (T-connect to Fixture)  
 A9920745 1mtr  
 A9920746 2mtr  
 A9920747 3mtr

**IP68 4-pin 24V Connecting Cables**  
 female connector with fixing ring to 2 inner wires open end  
 (Powersupply to Fixture)  
 A9920725 1.5mtr  
 A9920726 3.0mtr

**IP68 4-pin 24V Connecting Cables**  
 female connector to 2 inner wires open end  
 (Powersupply to T-connect)  
 A9920729 1.5mtr  
 A9920730 3.0mtr

**A9920700 T-connect IP68**  
 1x 4-pin male  
 2x 4-pin female

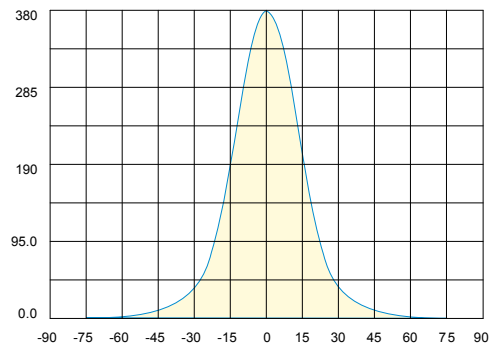
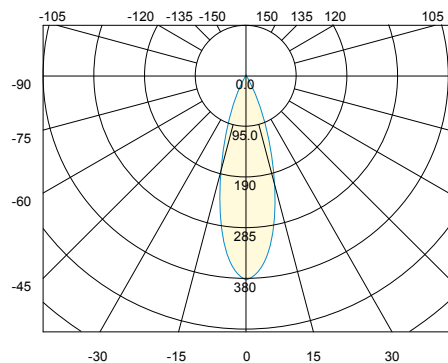
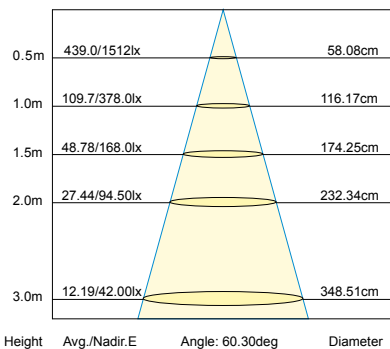


Flux out: 116.3 lm

Intensity(unit.cd)

Intensity(unit.cd)

$\theta_{av}(50\%)=30.2$



# High voltage connection

