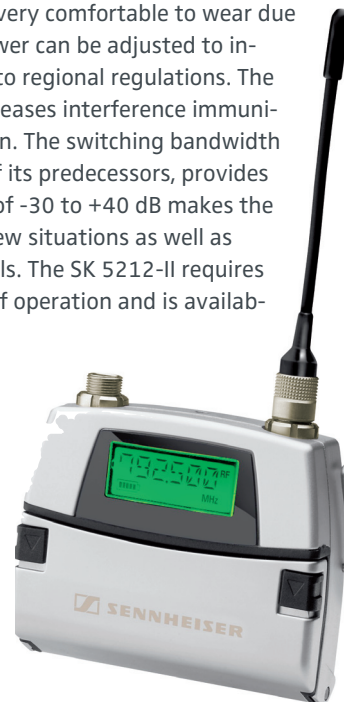


SK 5212-II bodypack transmitter

FEATURES

- Switching bandwidth up to 184 MHz
- Switchable transmission power
- 1 battery for 5½ hours of transmission power
- Very small, sturdy housing
- Sensitivity from -30 to +40 dB
- Tunable in 5 kHz steps
- Easy operation via jog dial
- Adjustable low-cut filter
- Low Intermodulation Mode

The SK 5212-II is inconspicuous and very comfortable to wear due to its compact design. The transmission power can be adjusted to increase transmission duration and to adapt to regional regulations. The new Low Intermodulation Mode ("LoI") increases interference immunity, especially during multi-channel operation. The switching bandwidth of up to 184 MHz, more than double that of its predecessors, provides extra flexibility. An input sensitivity range of -30 to +40 dB makes the transmitter suitable for use in quiet interview situations as well as with very powerful singing voices in musicals. The SK 5212-II requires only one AA battery for at least 5½ hours of operation and is available in L, N, N-US and P frequency variants.



ARCHITECT'S SPECIFICATIONS

The device shall be a portable bodypack transmitter for use with a companion receiver as part of a high-reliability wireless radio frequency transmission system. The portable bodypack transmitter shall be made available in select versions to operate within transmission frequency groups designated as L (470-638 MHz), N (614-798 MHz), N-US (614-697.9 MHz), and P (776-866 MHz), and shall include both a transmission frequency fixed bank with up to 59 factory-preset channels and a variable bank with 20 freely tunable channels (in 5 kHz steps). It shall have a switching bandwidth of up to 184 MHz.

Continued on page 2

TECHNICAL DATA

Frequency ranges	L: 470 - 638 MHz N: 614 - 798 MHz N-US: 614 - 697.9 MHz P: 776 - 866 MHz
Switching bandwidth.....	up to 184 MHz
Transmission frequencies	frequency bank „FIX“ with up to 59 factory-preset channels, frequency bank „VAR“ with 20 freely tunable channels (in 5 kHz steps)
RF output power	switchable, typ.: 50 mW (PWR.Hi) 10 mW (PWR.LO) 10 mW (PWR.LoI)
Frequency stability.....	±10 ppm
Componder.....	Sennheiser HiDyn plus™
AF frequency response	60 to 20,000 Hz
Nominal/peak deviation	±40 kHz/±56 kHz
Signal-to-noise ratio	typ. 110 dB(A)rms
THD (at 1 kHz, nominal deviation)	< 0.3 %

Continued on page 2

SK 5212-II bodypack transmitter

ARCHITECT'S SPECIFICATIONS

Radio Frequency output power shall be switchable between 50 mW (PWR.HI), 10 mW (PWR.LO) and 10 mW (PWR.Lol [Low Intermodulation Mode]). Frequency stability shall be ± 10 ppm. It shall have an audio frequency response of 60 Hz to 20,000 Hz. Nominal/peak deviation shall be ± 40 kHz/ ± 56 kHz. A compander feature shall be included and shall be Sennheiser HiDyn plus™. Signal-to-noise ratio shall be 110 dB(A)rms (typical) with a total harmonic distortion of $< 0.3\%$ at 1 kHz (nominal deviation). Input sensitivity shall be adjustable from -30 to +40 dB in 1dB steps; a defeat-able low-cut audio frequency filter shall be included at 120 Hz (-3 dB); audio frequency response shall be flat when defeated. The audio input shall utilize a 3-pin special audio socket; transmitter antenna connection shall utilize a coaxial socket. Power shall be supplied to the portable bodypack transmitter by 1 "AA" size battery (1.5Vdc). Power consumption shall be approximately 150 mA (PWR.LO, 10 mW), 220 mA (PWR.HI, 50 mW) and 220 mA (PWR.Lol, 10 mW), all at 1.5 Vdc operating voltage. Operating time shall be approximately 11 hours (PWR.LO), 5.5 hours (PWR.HI) and 5.5 hours (PWR.Lol). Menu-based software adjustments shall be made using a jog dial selection mechanism and a backlit LCD user display. The bodypack case shall be fabricated from zinc die-cast with chrome-plated surface; case dimensions shall be approximately 2.09" x 2.36" x 0.67" (53 x 60 x 17 mm). Weight including battery and antenna shall be approximately 4.23 oz (120 grams). Operating conditions shall be ambient temperature +14°F to +131°F (-10°C to +55°C) at a relative humidity of maximum 90% (non-condensing). The portable bodypack transmitter shall be Sennheiser model SK 5212-II.

TECHNICAL DATA

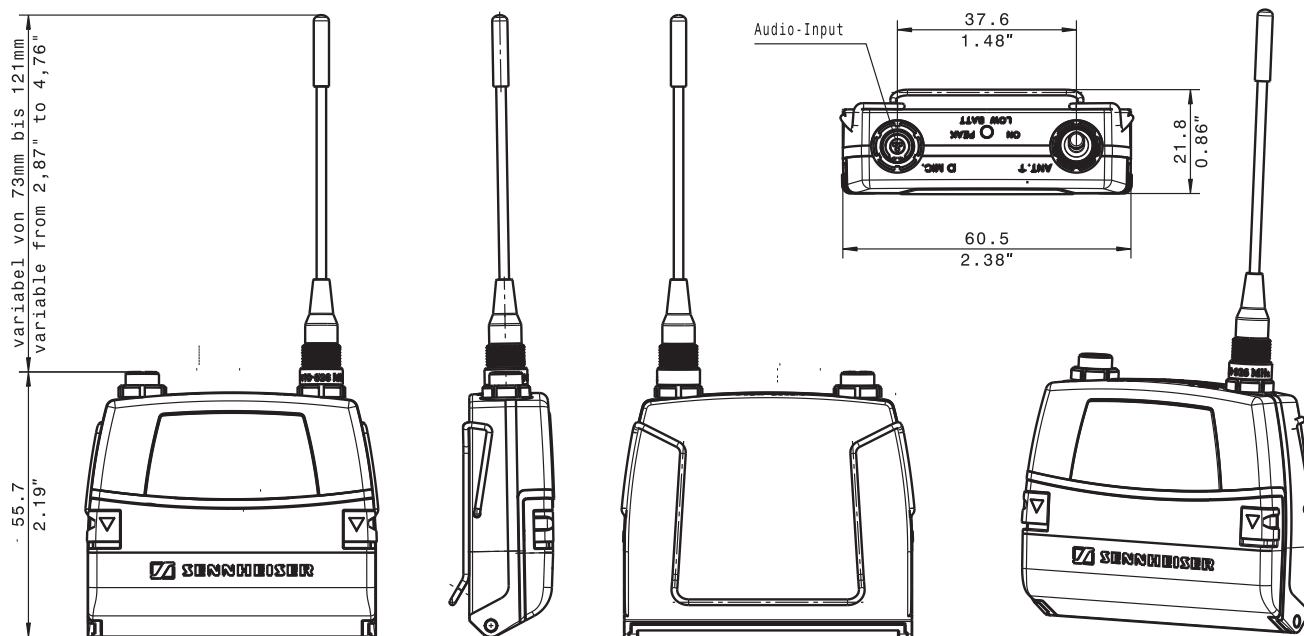
Sensitivity	-30 to +40 dB, adjustable in 1 dB steps
Low-cut frequency (-3 dB)	adjustable: flat, 120 Hz
Power supply	1 AA size battery, 1.5 V
Power consumption	PWR.LO: approx. 150 mA (10 mW) at 1.5 V PWR.HI: approx. 220 mA (50 mW) at 1.5 V PWR.Lol: approx. 220 mA (10 mW) at 1.5 V
Operating time	PWR.LO: approx. 11 hrs PWR.HI: approx. 5.5 hrs PWR.Lol: approx. 5.5 hrs
Connectors	AF: 3-pin special audio socket RF: coaxial socket
Dimensions	approx. 53 x 60 x 17 mm (2,09" x 2,36" x 0,67")
Weight	approx. 120 g incl. battery and antenna

OPERATING CONDITIONS

Ambient temperature	-10 °C to +55 °C
Relative humidity	max. 90 % (non condensing)

SK 5212-II bodypack transmitter

DIMENSIONS



PRODUCT VARIANTS

SK 5212-II L, 470 - 638 MHz	Cat. No. 504083
SK 5212-II N, 614 - 798 MHz	Cat. No. 504085
SK 5212-II N-US, 614 - 697.9 MHz	Cat. No. 504084
SK 5212-II P, 776 - 866 MHz	Cat. No. 504086

RECOMMENDED ACCESSORIES

MKE 1-4, clip-on microphone black	Cat. No. 502167
MKE 1-4-3, clip-on microphone beige	Cat. No. 502168
MKE 1-4-1, clip-on microphone white	Cat. No. 502833
MKE 1-4-2, clip-on microphone brown	Cat. No. 502834
HSP 2, headmic omni	Cat. No. 009862
HSP 4, headmic cardioid	Cat. No. 009864

Sennheiser electronic GmbH & Co. KG
Am Labor 1, 30900 Wedemark, Germany
www.sennheiser.com

 **SENNHEISER**