

GENERAL INFORMATION

The Source Four CE Mini can go where no full-sized Source Four has gone before. ETC's 12V 50 watt Source Four Mini features the same crisp optics, user-friendly functionality and sleek look of the legendary Source Four fixture, but in a compact format one-tenth its size.

The Source Four CE Mini has four field-angle choices and comes in a portable version for hook/clamp or bolt mounting with the transformer bolted on the yoke and a canopy-mount or track-mount design with an integral transformer. Surprisingly bright for its size, the Mini offers crystal-clear image projection and a bright, even field.

VENUES

- Museum
- Retail shop
- Restaurant
- Hotel lobby
- Ballroom
- Theatre

FEATURES

- Rugged, die-cast aluminium fixture body
- Interchangeable lens tubes permit selection of 19°, 26°, 36° and 50° field angles
- Unique, efficient optical system
- Effective heat dissipation and cool beam, using dichroic reflector
- Three-plane shutters
- Long life 4000h tungsten light source
- Multiple mounting options: Hook clamp, Canopy and Track
- Custom paint colours available upon request

GENERAL

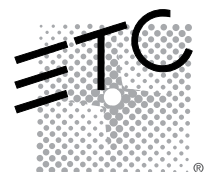
- CE compliant

ORDERING INFORMATION

Source Four CE Mini

PART NO	DESCRIPTION
7063A1220	19° Source Four Mini, Portable, UK connector, Black
7063A1221	26° Source Four Mini, Portable, UK connector, Black
7063A1222	36° Source Four Mini, Portable, UK connector, Black
7063A1223	50° Source Four Mini, Portable, UK connector, Black
7063A1200	19° Source Four Mini, Portable, EU connector, Black
7063A1201	26° Source Four Mini, Portable, EU connector, Black
7063A1202	36° Source Four Mini, Portable, EU connector, Black
7063A1203	50° Source Four Mini, Portable, EU connector, Black
7063A1204	19° Source Four Mini, Canopy, EU connector, Black
7063A1205	26° Source Four Mini, Canopy, EU connector, Black
7063A1206	36° Source Four Mini, Canopy, EU connector, Black
7063A1207	50° Source Four Mini, Canopy, EU connector, Black
7063A1230	19° Source Four Mini, Track, EU connector, Black
7063A1231	26° Source Four Mini, Track, EU connector, Black
7063A1232	36° Source Four Mini, Track, EU connector, Black
7063A1233	36° Source Four Mini, Track, EU connector, Black

NOTE: When ordering other colours than Black, please add -1 for White or -5 for Silver Grey to part number.



## SPECIFICATIONS

## PHYSICAL

- Die cast aluminium construction (A380 grade)
- Fine-texture, high-temperature powder-coated paint
- Steel yoke with 10.3mm diameter mounting hole
- Rotating shutter assembly  $\pm 175^\circ$
- Removable rear housing for easy lamp replacement
- Stainless steel shutters in a tri-plane assembly
- Fixed field angles to suit a range of throw distances
- Tool-free pan, tilt and beam adjustment
- High impact resistant, thermally insulated knobs and shutter handles
- Captive accessory slot for pattern holder (included)
- Dual captive accessory slots for colour frame (included) and top hats
- Portable-
  - Yoke mounted 12v transformer in colour matched enclosure
  - 90cm power cable with UK or EU connector
- Install Canopy-
  - Colour matched, powder coated canopy mount with integrated 12v transformer (included)
  - Canopy dimensions: 135mm(W) x 26.5mm(H)
  - Installation hardware included
  - Fixture to canopy factory pre-wired for easy install
  - Built-in rotation stop
- Track Mount-
  - Compatible with EUTRAC 3-circuit tracks
  - Integral 12v transformer factory installed in colour matched adapter (Black adapter for silver fixtures)
- Black or white power lead from fixture to transformer

## ELECTRICAL

- GE Lightech™ 230V/12V/60W Class 2 potted Halogen Transformer (included)
- 12V DC output
- 230V AC 50-60 Hz input power
- Power factor: 0.96
- Input current: 0.28 A
- Output voltage: 11.7V
- Dimmable by most forward or reverse phase dimmers
- CE compliant

## SPECIFICATIONS (CONT.)

## LAMP

- Ushio 50W Eurostar™ IR MR-16 lamp (included)
- Long life lamp: 5000h average lamp life
- 35° flood beam spread
- 3000K colour temperature
- Halogen capsule cuts harmful UV
- Titanium oxide coating provides consistent colour throughout lamp life
- Axial Filament
- Base type: GU5.3

## OPTICAL

- Fixed beam options of 19°, 26°, 36° and 50° field angles
- Projector-quality, high contrast lenses
- Beam edge continually adjustable hard-to-soft

## THERMAL

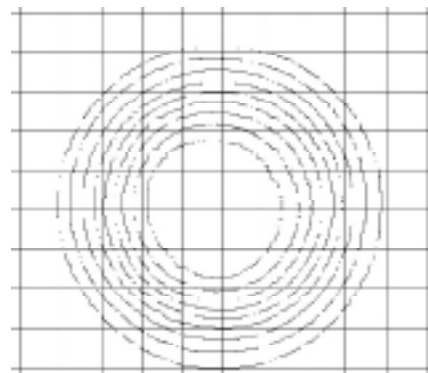
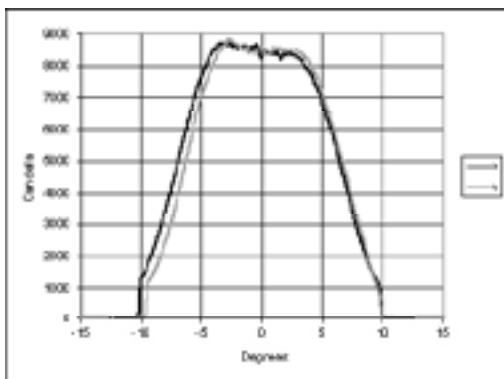
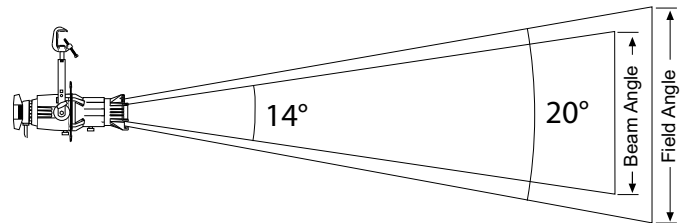
- 0°C to +50°C

PHOTOMETRY

19 degree

FIELD LUMENS	BEAM LUMENS	BEAM ANGLE	FIELD ANGLE	CANDELA	LUMENS PER WATT
440	320	14.10°	19.54°	8,830	8.76

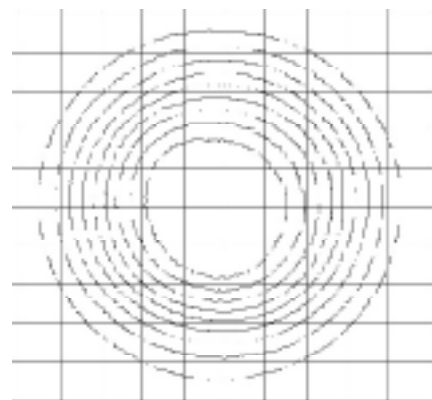
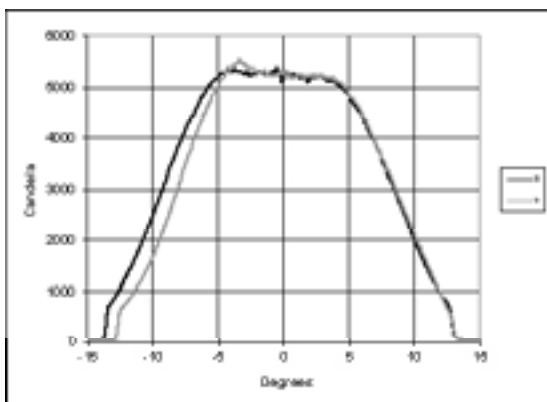
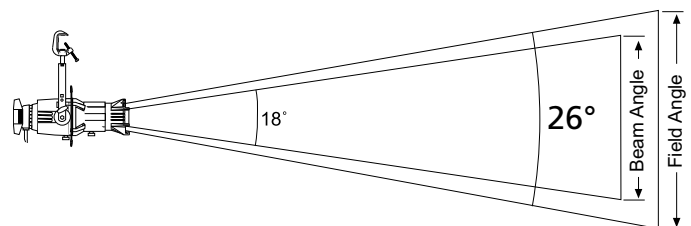
THROW DISTANCE	10'	15'	20'	30'
	3.0m	4.6m	6.1m	9.1m
FIELD DIAMETER	3.4'	5.2'	6.9'	10.3'
	1.0m	1.6m	2.1m	3.1m
ILLUMINANCE (FC)	88.3	39.2	22.1	9.8
ILLUMINANCE (LUX)	950	422	238	106



26 degree

FIELD LUMENS	BEAM LUMENS	BEAM ANGLE	FIELD ANGLE	CANDELA	LUMENS PER WATT
460	320	18.20°	25.80°	5,500	9.12

THROW DISTANCE	10'	15'	20'	30'
	3.0m	4.6m	6.1m	9.1m
FIELD DIAMETER	4.6'	6.9'	9.2'	13.7'
	1.4m	2.1m	2.8m	4.2m
ILLUMINANCE (FC)	55.0	24.4	13.8	6.1
ILLUMINANCE (LUX)	592	263	148	66

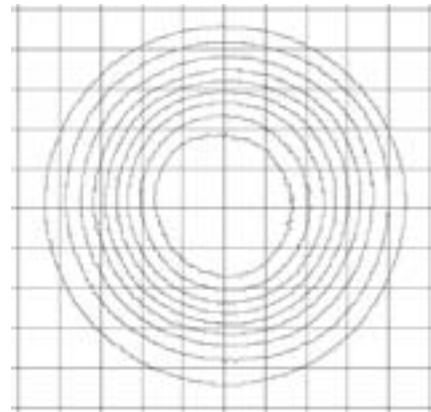
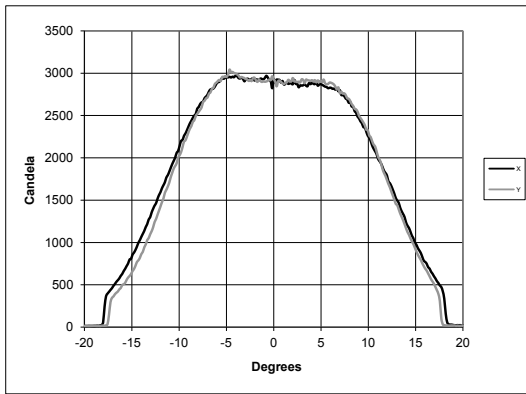
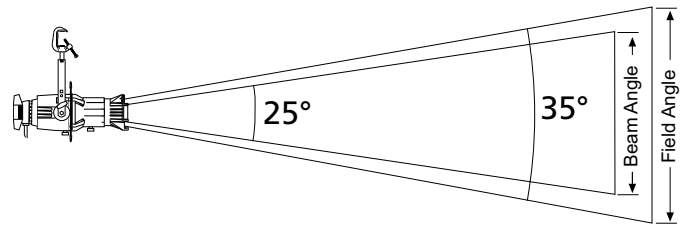


PHOTOMETRY

36 degree

FIELD LUMENS	BEAM LUMENS	BEAM ANGLE	FIELD ANGLE	CANDELA	LUMENS PER WATT
478	332	25.18°	35.30°	3,032	9.56

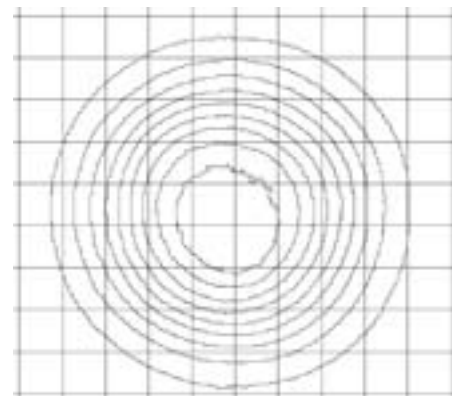
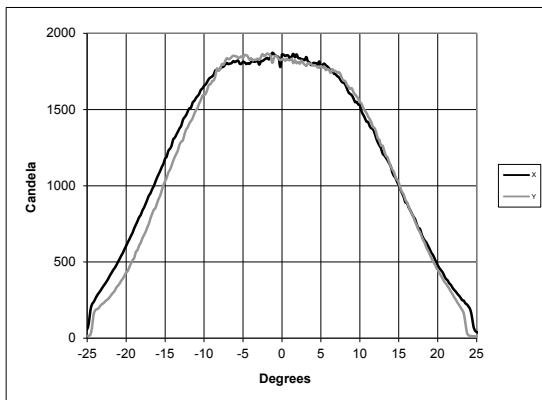
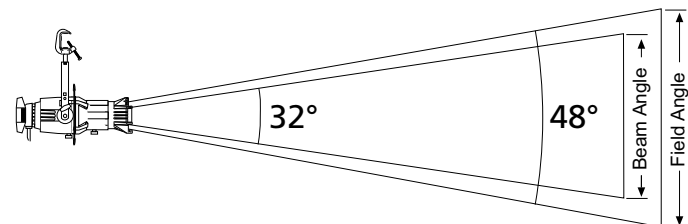
THROW DISTANCE	10'	15'	20'	30'
	3.0m	4.6m	6.1m	9.1m
FIELD DIAMETER	3.4'	5.2'	6.9'	10.3'
	1.0m	1.6m	2.1m	3.1m
ILLUMINANCE (FC)	30.3	13.5	7.6	3.4
ILLUMINANCE (LUX)	326	145	82	36



50 degree

FIELD LUMENS	BEAM LUMENS	BEAM ANGLE	FIELD ANGLE	CANDELA	LUMENS PER WATT
498	318	32.24°	47.98°	1,940	9.96

THROW DISTANCE	10'	15'	20'	30'
	3.0m	4.6m	6.1m	9.1m
FIELD DIAMETER	4.6'	6.9'	9.2'	13.7'
	1.4m	2.1m	2.8m	4.2m
ILLUMINANCE (FC)	19.4	8.6	4.9	2.2
ILLUMINANCE (LUX)	209	93	52	23

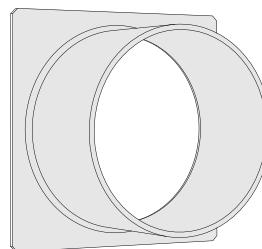


ACCESSORIES

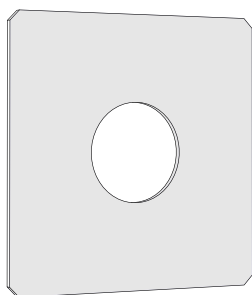
**Accessories**

PART NO	DESCRIPTION
7063A2002	Source Four Mini 19° Lens Tube, Black
7063A2006	Source Four Mini 26° Lens Tube, Black
7063A2007	Source Four Mini 36° Lens Tube, Black
7063A2008	Source Four Mini 50° Lens Tube, Black
7063A3014	Colour Frame, Black (Spare)
7063A2010	Gobo Pattern Holder, E-Size
PSF1105	Top Hat, Black
PSF1106	Top Hat Short, Black
PSF1107	Half Hat, Black
PSF1108	Half Hat Short, Black

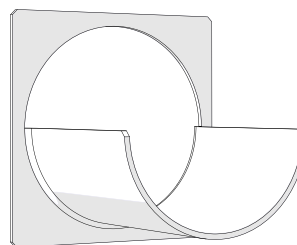
NOTE: When ordering other colours than Black, please add -1 for White or -5 for Silver Grey to part number



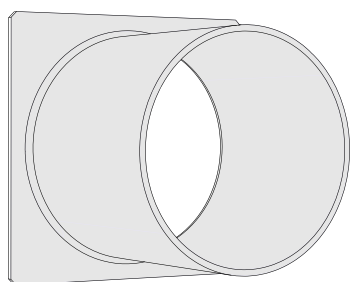
**PSF1106**



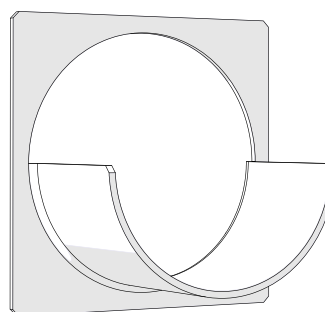
**7063A3014**



**PSF1107**



**PSF1105**



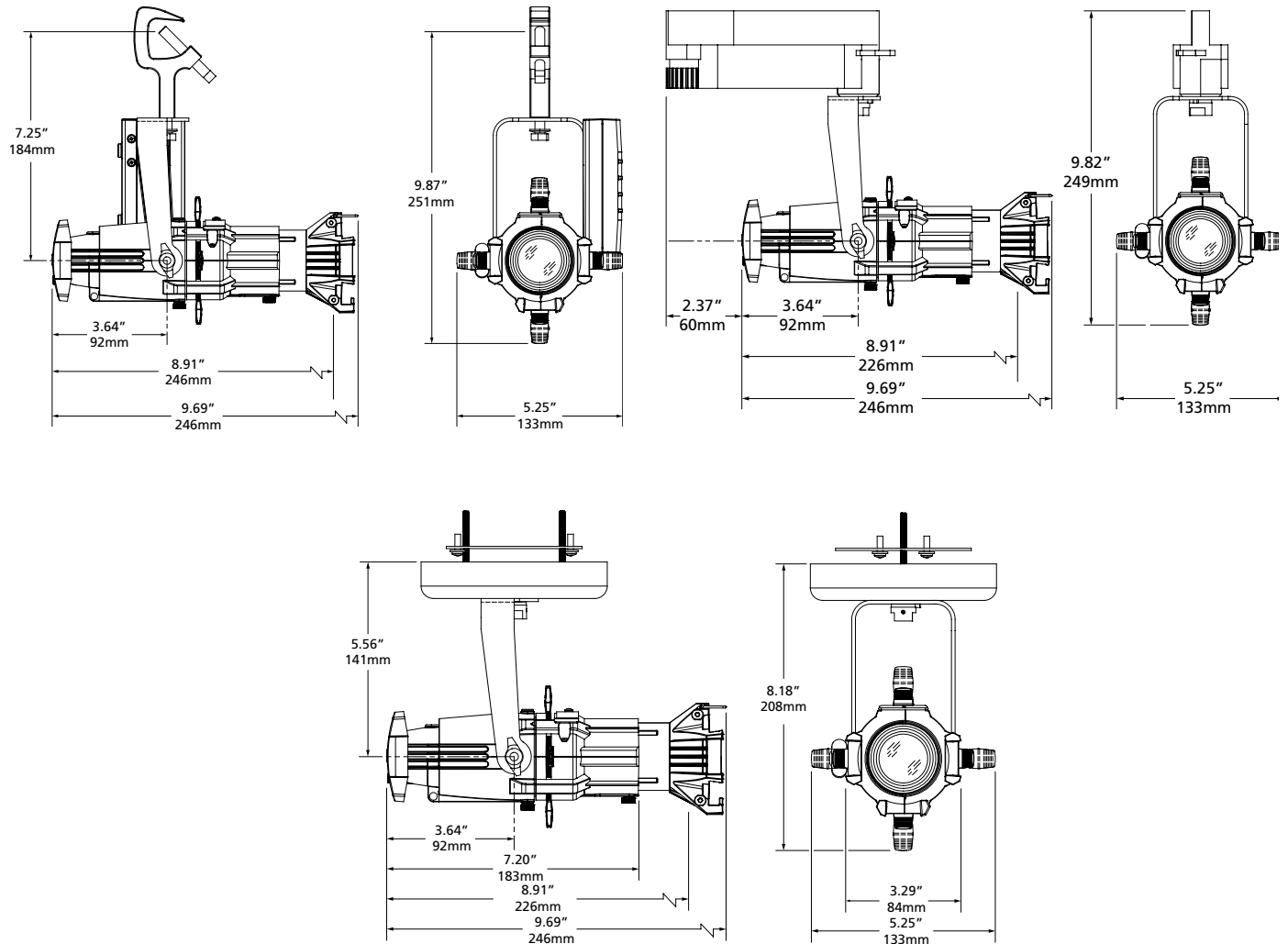
**PSF1108**

PHYSICAL

Source Four CE Mini Weights and Dimensions

	WEIGHT	SHIPPING WEIGHT
	kgs	kgs
Portable	1.2	1.7
Install Canopy	1.2	1.7
Track Mount	1.1	1.6

\*Shipping Dimensions: 12.6" x 10.8" x 6"



Corporate Headquarters • 3031 Pleasant View Rd, PO Box 620979, Middleton WI 53562 0979 USA • Tel +1 608 831 4116 • Fax +1 608 836 1736

London, UK • Unit 26-28, Victoria Industrial Estate, Victoria Road, London W3 6UU, UK • Tel +44 (0)20 8896 1000 • Fax +44 (0)20 8896 2000

Rome, IT • Via Pieve Torina, 48, 00156 Rome, Italy • Tel +39 (06) 32 111 683 • Fax +44 (0)20 8752 8486

Holzkirchen, DE • Ohmstrasse 3, 83607 Holzkirchen, Germany • Tel +49 (80 24) 47 00-0 • Fax +49 (80 24) 47 00-3 00

Hong Kong • Room 1801, 18/F, Tower 1 Phase 1, Enterprise Square, 9 Sheung Yuet Road, Kowloon Bay, Kowloon, Hong Kong • Tel +852 2799 1220 • Fax +852 2799 9325

Web • www.etcconnect.com • Copyright©2013 ETC. All Rights Reserved. All product information and specifications subject to change. 7063L1001-GB Rev. A 04/2013

U.S. and international patents pending.