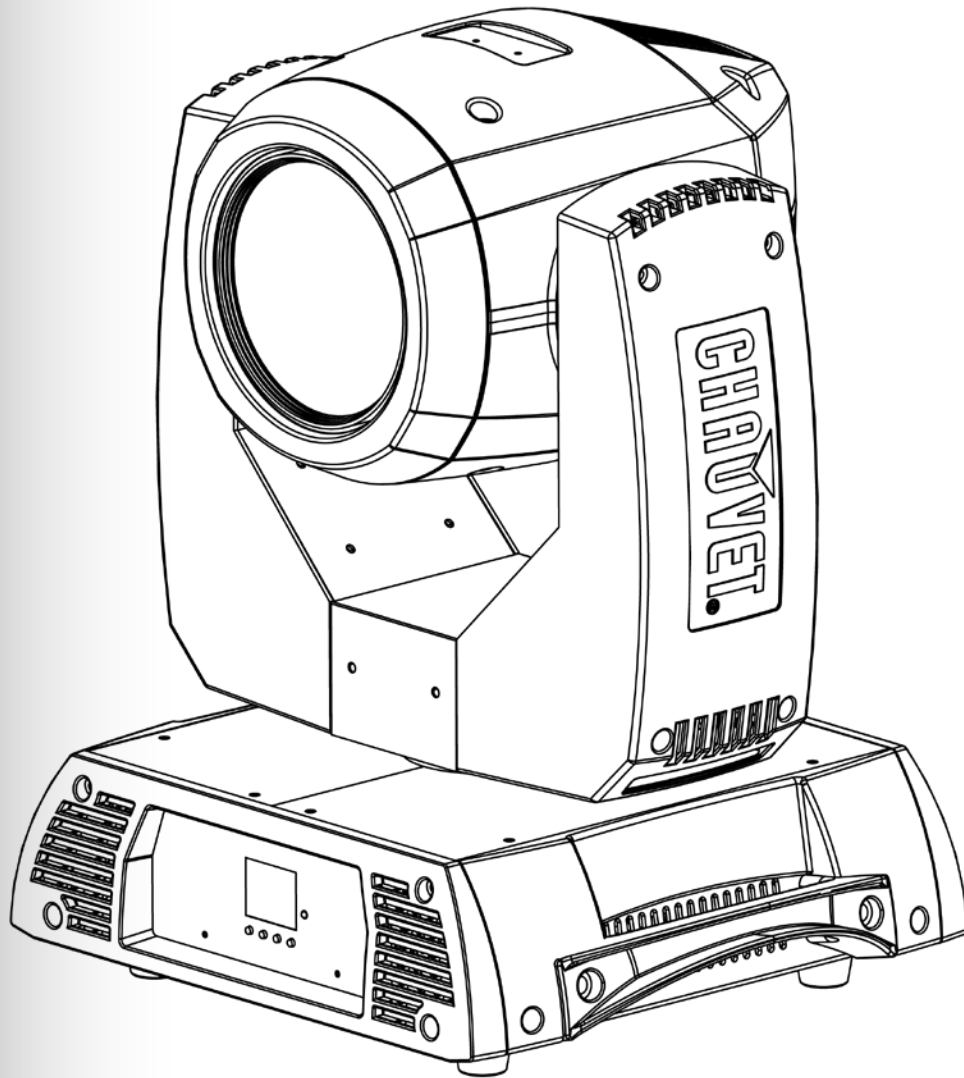


ROGUE™



User Manual



Edition Notes The Rogue™ R1 Beam User Manual Rev. 2 covers the description, safety precautions, installation, programming, operation, and maintenance of the Rogue™ R1 Beam. CHAUVET® released this edition of the Rogue™ R1 Beam User Manual in June 2014.

Trademarks CHAUVET® is a registered trademark of CHAUVET & Sons Inc. (d/b/a CHAUVET® or Chauvet). The CHAUVET® logo in its entirety including the CHAUVET® name and the dotted triangle, and all other trademarks in this manual pertaining to services, products, or marketing statements (example: It's Green Thinking™) are owned or licensed by CHAUVET®. Any other product names, logos, brands, company names, and other trademarks featured or referred to within this document are the property of their respective trademark holders.

Copyright Notice CHAUVET® owns the content of this User Manual in its entirety, including but not limited to pictures, logos, trademarks, and resources.

© **Copyright 2014 CHAUVET®. All rights reserved.**

Electronically published by CHAUVET® in the United States of America.

Manual Use CHAUVET® authorizes its customers to download and print this manual for professional information purposes only. CHAUVET® expressly prohibits the usage, copy, storage, distribution, modification, or printing of this manual or its content for any other purpose without written consent from CHAUVET®.

Document Printing For better results, print this document in color, on letter size paper (8.5 x 11 in), double-sided. If using A4 paper (210 x 297 mm), configure your printer to scale the content accordingly.

Intended Audience Any person in charge of installing, operating, and/or maintaining this product should completely read through the guide that shipped with the product, as well as this manual, before installing, operating, or maintaining this product.

Disclaimer CHAUVET® believes that the information contained in this manual is accurate in all respects. However, CHAUVET® assumes no responsibility for any errors or omissions in this document. CHAUVET® reserves the right to revise and make changes to the content of this document without obligation that CHAUVET® notify any person or company of such revision or changes. This does not in any way constitute a commitment by CHAUVET® to make such changes. CHAUVET® may issue a revision of this manual or a new edition to incorporate such changes.

Document Revision The Rogue™ R1 Beam User Manual Rev. 2 supersedes all previous versions of this manual. Discard any older versions of this manual and replace with this version. Go to www.chauvetprofessional.com for the latest version.

Author	Date	Editor	Date
D. Coupe	6/4/14	A. Leon	6/4/14

Table of Contents

1. Before You Begin	1
What Is Included	1
Claims	1
Manual Conventions	1
Symbols	1
Product At A Glance	2
Safety Notes	2
Personal Safety.....	2
Mounting And Rigging.....	2
Power And Wiring	2
Operation	2
2. Introduction	3
Description	3
Features.....	3
Overview	4
Dimensions	5
3. Setup.....	6
AC Power.....	6
AC Plug.....	6
Fuse Replacement.....	6
DMX Linking.....	6
DMX Personalities.....	6
Gobo Wheel	7
Color Wheel	7
Lamp Replacement.....	8
Procedure	8
Procedure (Cont.).....	9
Increasing the Lamp's Life	10
Lamp Adjustment.....	10
Mounting	11
Orientation	11
Rigging.....	11
Procedure	11
4. Operation	12
Control Panel Description	12
Control Options	12
Programming.....	12
Menu Map	13
Menu Map (Cont.)	14
Menu Map (Cont.)	15
Address	16
Set the DMX Address.....	16
Run Mode	16
DMX Personality	16
Auto Test.....	16
Manual Test	16
Setup.....	17
Pan Reverse	17
Tilt Reverse	17
Screen Reverse	17
Pan Angle	17
Tilt Angle	17

Pan and Tilt Movement BlackOut.....	17
Color Movement BlackOut	17
Gobo Movement BlackOut	17
Lamp Settings	18
Maintenance Timer	19
Reset Function	19
Factory Reset Function	19
System Information	20
Offset Mode	20
Pan.....	20
Tilt	20
Dimmer 1	20
Dimmer 2	20
Gobo	20
Color	20
Prism 1.....	20
Rotating Prism 1.....	20
Prism 2.....	20
Rotating Prism 2.....	20
Focus	20
DMX Values	21
DMX Values (Cont.).....	22
DMX Values (Cont.).....	23
DMX Values (Cont.).....	24
DMX Values (Cont.).....	25
DMX Values (Cont.).....	26
5. Technical Information	27
Product Maintenance.....	27
6. Technical Specifications.....	28
Returns	29
Contact Us	29

1. BEFORE YOU BEGIN

- What Is Included**
- Rogue™ R1 Beam
 - Neutrik® powerCON® power cord
 - 2 Omega brackets with mounting hardware
 - Warranty Card
 - Quick Reference Guide

Claims Carefully unpack the product immediately and check the box to make sure all the parts are in the package and are in good condition.




If the box or the contents (the product and included accessories) appear damaged from shipping or show signs of mishandling, notify the carrier immediately, not CHAUVET®. Failure to report damage to the carrier immediately may invalidate your claim. In addition, keep the box and contents for inspection.

For other issues, such as missing components or parts, damage not related to shipping, or concealed damage, file a claim with CHAUVET® within 7 days of delivery.

Manual Conventions

Convention	Meaning
1–512	A range of values in the text
50/60	A set of mutually exclusive values in the text
<SET>	A button on the product’s control panel
Settings	A product function or a menu option
MENU>Settings	A sequence of menu options
1–10	A range of menu values from which to choose in a menu
Yes/No	A set of two mutually exclusive menu options in a menu
ON	A unique value to be entered or selected in a menu

Symbols

Symbols	Meaning
	Critical installation, configuration, or operation information. Failure to comply with this information may cause the product not to work, damage third-party equipment, or cause harm to the operator.
	Important installation or configuration information. Failure to comply with this information may keep the product from working.
	Useful information.



The term “DMX” used throughout this manual refers to the USITT DMX512-A digital data transmission protocol.

Product At A Glance	Use on Dimmer	X	Auto Programs	X
	Outdoor Use	X	Auto-Ranging Power Supply	P
	Sound-Activated	X	Replaceable Fuse	P
	DMX	P	User-Serviceable	X
	Master/Slave	X		

Safety Notes



Read all the following Safety Notes before working with this product. These notes include important information about the installation, usage, and maintenance of this product.

This product contains no user-serviceable parts. Any reference to servicing in this User Manual will only apply to properly trained CHAUVET® certified technicians. Do not open the housing or attempt any repairs.



All applicable local codes and regulations apply to proper installation of this product.

Personal Safety

- Avoid direct eye exposure to the light source while the product is on.
- Always disconnect this product from its power source before servicing.
- Always connect this product to a grounded circuit to avoid the risk of electrocution.
- Do not touch this product's housing during operation because it may be very hot.

Mounting And Rigging

- This product is for indoor use only! To prevent risk of fire or shock, do not expose this product to rain or moisture. (IP20)
- Mount this product in a location with adequate ventilation, at least 20 in (50 cm) from adjacent surfaces.
- This product weighs 38.8 lb (17.6 kg). Always ask for help when mounting this product to avoid personal injuries or damage to the product.
- Make sure there are no flammable materials close to this product while it is operating.
- Always carry this product by the handles. Do not carry from the head.

Power And Wiring

- When hanging this product, always secure to a fastening device using a safety cable.
- Always make sure you are connecting this product to the proper voltage in accordance with the specifications in this manual or on the product's specification label.
- Never connect this product to a dimmer pack or rheostat.
- Never disconnect this product by pulling or tugging on the power cable.

Operation

- Do not operate this product if you see damage to the housing, lenses, ultraviolet filter, or cables. Have the damaged parts replaced by an authorized technician at once.
- Do not cover the ventilation slots when operating to avoid internal overheating.
- Do not aim this product toward the Sun. The lenses could concentrate the solar energy and cause internal overheating.
- The maximum ambient temperature is 113 °F (45 °C). Do not operate this product at a higher temperature.
- In case of a serious operating problem, stop using this product immediately!



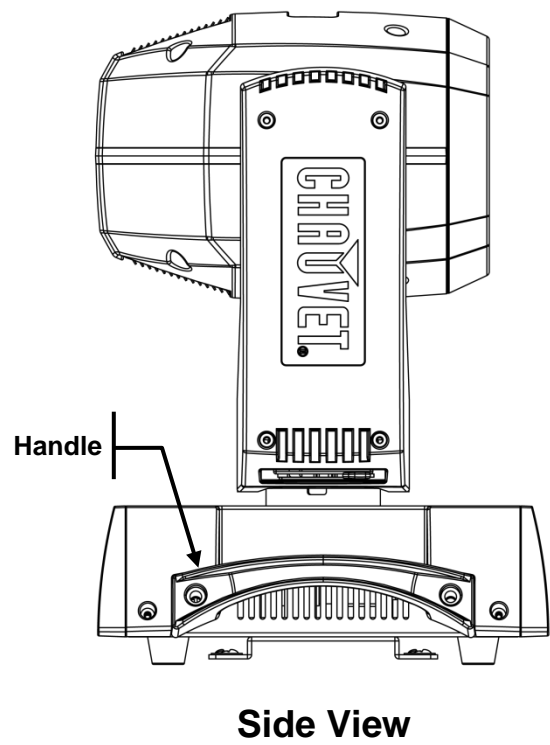
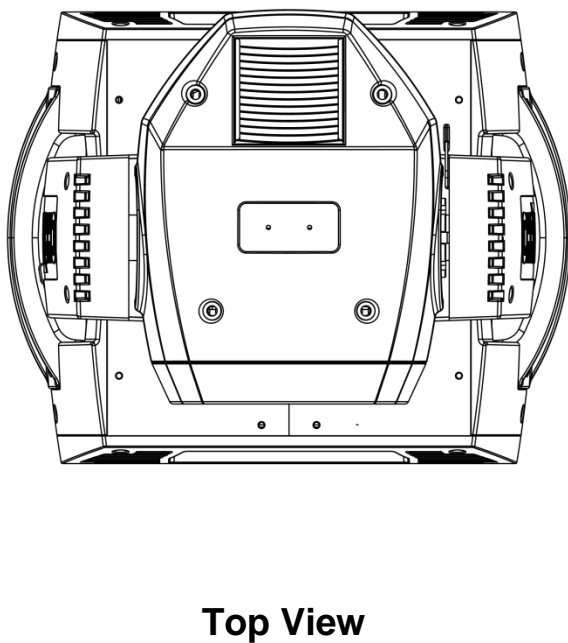
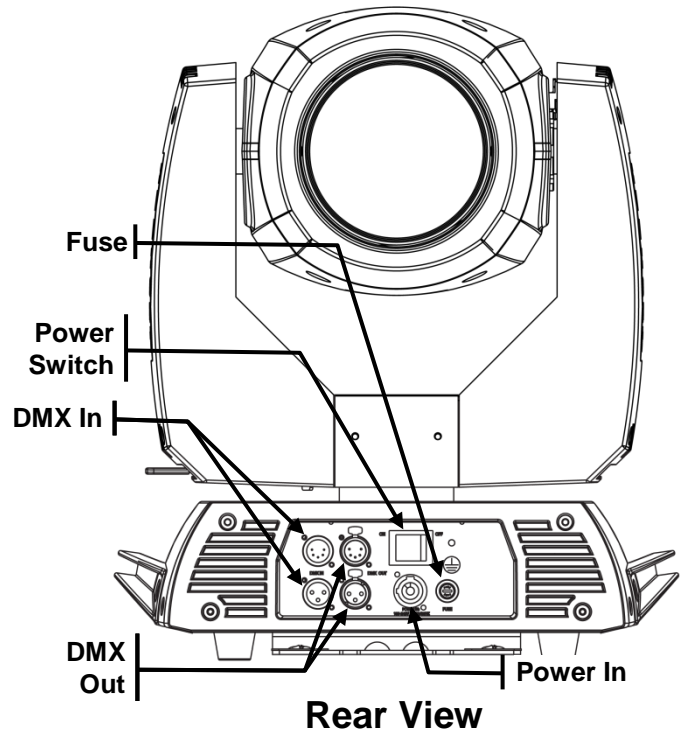
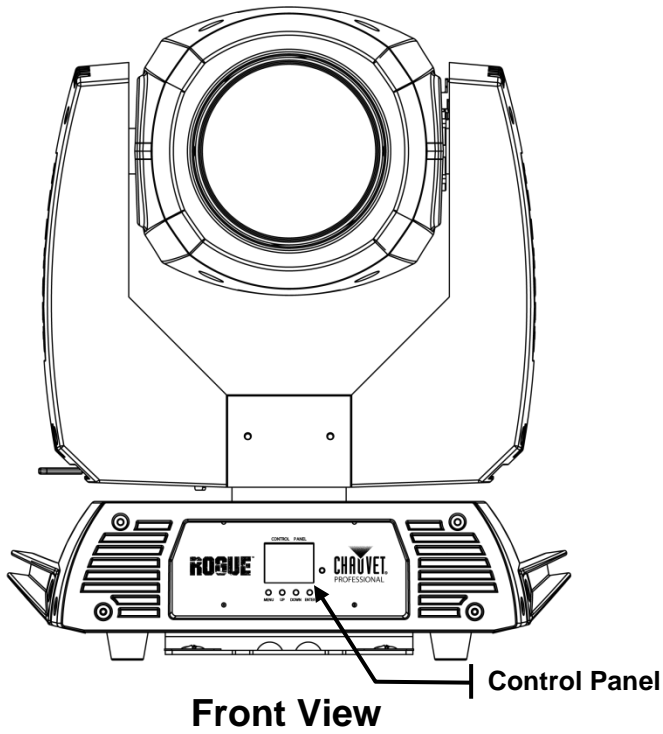
In the unlikely event that your CHAUVET® product may require service, contact CHAUVET® Technical Support.

2. INTRODUCTION

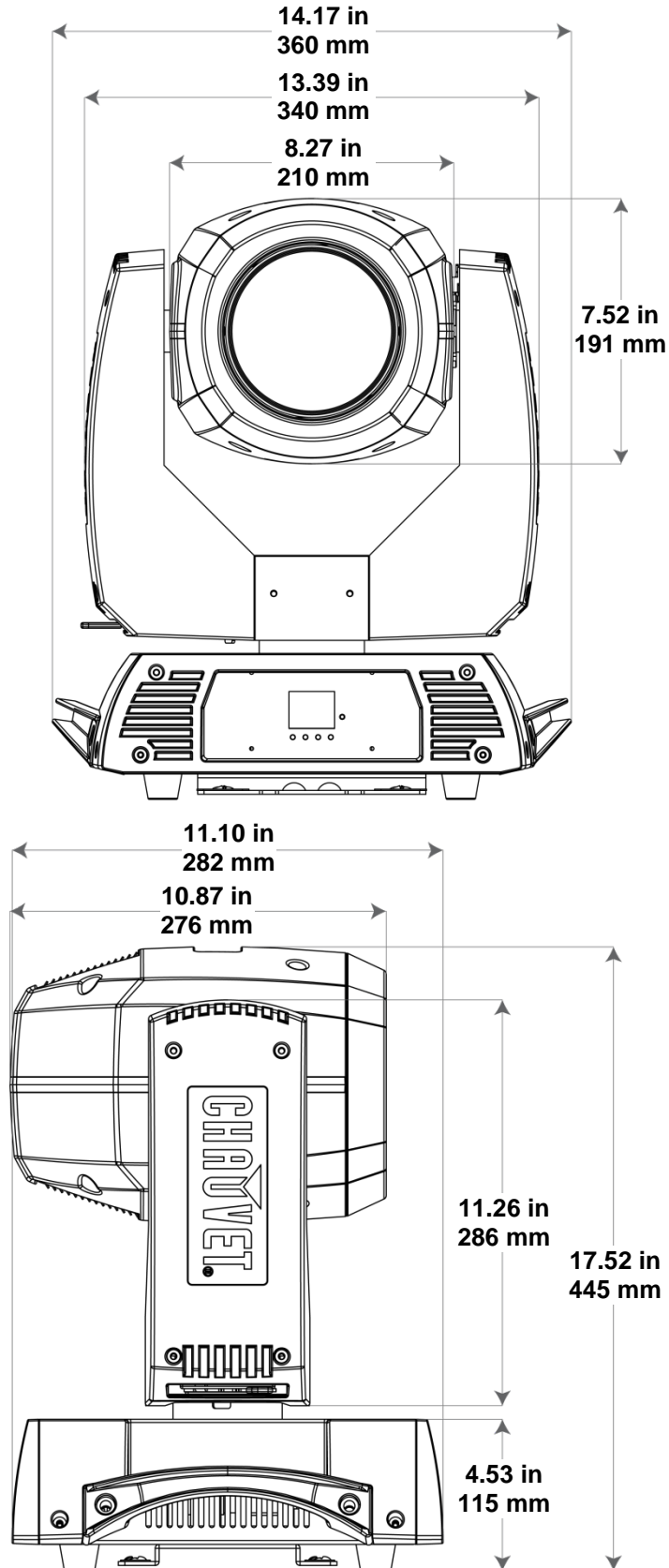
Description The Rogue™ R1 Beam is a compact, electronic, moving yoke beam product equipped with a 132-watt HRI lamp. It includes a color wheel with 14 colors plus white. It also includes 2 separate 5- and 8-facet rotating prisms, remote focus, and one gobo wheel with 17 static gobos plus open.

- Features**
- Compact, moving yoke beam fixture with a 2 prisms and motorized focus
 - Uses an Osram Sirius 132-W lamp source with a rated 6,000-hour lamp life
 - Precision-designed optics for hard-edged beam effects
 - Extremely quiet for operation in any situation
 - Fast and precise pan/tilt
 - Color wheel:
 - 14 colors + Open (white)
 - CTO - Split/linear colors
 - Rainbow color spin at variable speed
 - Gobo wheel:
 - 17 gobos + Open
 - Gobo wheel spin at variable speed
 - Variable frost
 - Two prisms, 5-facet and 8-facet, independently controllable for gobo effects
 - DMX channels: 15 or 19
 - Pan: 540°
 - Tilt: 270°
 - Reset over DMX
 - Electronic power supply
 - Mechanical dimmer
 - 3- and 5-pin DMX input and output connectors

Overview



Dimensions



3. SETUP

AC Power

Each Rogue™ R1 Beam has an auto-ranging power supply that works with an input voltage range of 100 to 240 VAC, 50/60 Hz. To determine the power requirements for each Rogue™ R1 Beam, refer to the label affixed to the product. You can also refer to the [Technical Specifications](#) chart in this manual.

The listed current rating indicates the maximum current draw during normal operation. For more information, you may download Sizing Circuit Breakers from the CHAUVET® website: www.chauvetlighting.com/download/pro.



Always connect this product to a protected circuit with an appropriate electrical ground to avoid the risk of electrocution or fire.



Never connect this product to a rheostat (variable resistor) or dimmer circuit, even if the rheostat or dimmer channel serves only as a 0 to 100% switch.

AC Plug

The Rogue™ R1 Beam comes with a power input cord terminated with a Neutrik® powerCON® A connector on one end and an Edison plug on the other end (U.S. market). If the power input cord that came with your product has no plug, or if you need to change the Edison plug, use the table below to wire the new plug.

Connection	Wire (U.S.)	Wire (Europe)	Screw Color
AC Live	Black	Brown	Yellow or Brass
AC Neutral	White	Blue	Silver
AC Ground	Green/Yellow	Green/Yellow	Green

Fuse Replacement

1. Disconnect this product from the power outlet.
2. Using a flat-head screwdriver, unscrew the fuse holder cap from the housing.
3. Remove the blown fuse and replace with a another fuse of the same type and rating (F 5 A, 250 V).
4. Screw the fuse holder cap back in place and reconnect power.



Make sure to disconnect the product's power cord before replacing a blown fuse. Always replace the blown fuse with another of the same type and rating.

DMX Linking

You can link the Rogue™ R1 Beam to a DMX controller using a 3- or 5-pin DMX connection. If using other DMX-compatible products with the Rogue™ R1 Beam, you can control each individually with a single DMX controller.

DMX Personalities

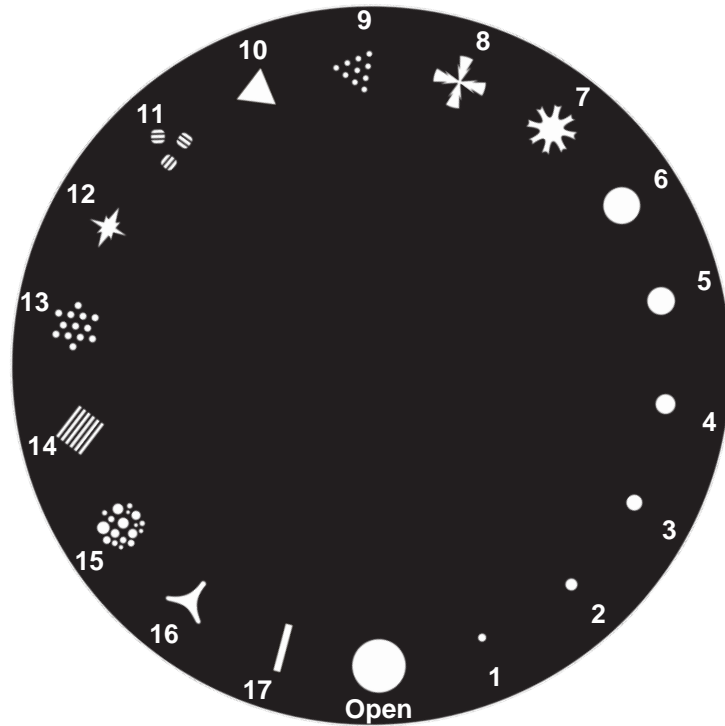
The Rogue™ R1 Beam uses a 3- or 5-pin DMX data connection for the 15- and 19-channel DMX personalities.

- Refer to the [Introduction](#) chapter for a brief description of each DMX personality.
- Refer to the [Operation](#) chapter to learn how to configure the Rogue™ R1 Beam to work in these personalities.
- The [DMX Values](#) section provides you with detailed information regarding the DMX personalities.

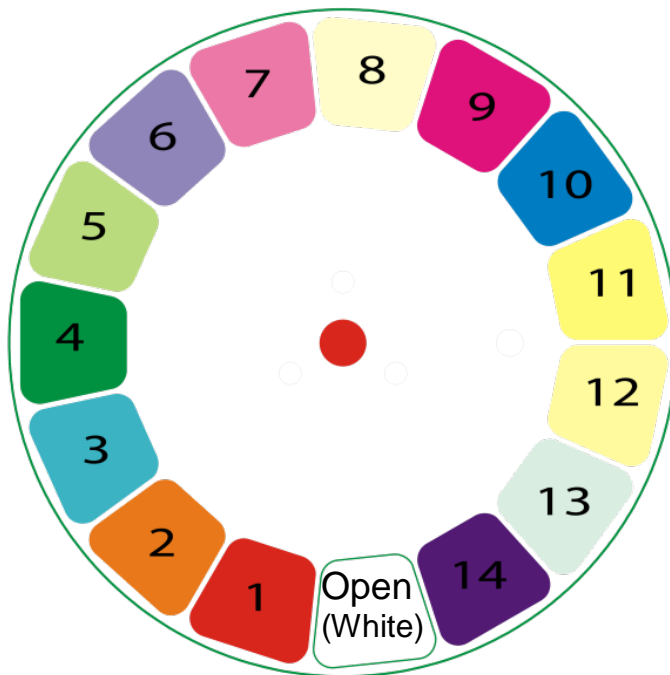


If you are not familiar with or need more information about DMX standards, Master/Slave connectivity, or the DMX cables needed to link this product to a DMX controller, download the DMX Primer from the CHAUVET® website: www.chauvetlighting.com/download/pro.

Gobo Wheel The Rogue™ R1 Beam includes one gobo wheel with 17 fixed gobos plus open. The diagram shows the gobo number on the wheel, as numbered in the [DMX Values](#) tables.



Color Wheel The Rogue™ R1 Beam includes one color wheel with 14 fixed colors plus open (white), as indicated below. The diagram shows the color number on the wheel, as numbered in the [DMX Values](#) tables.



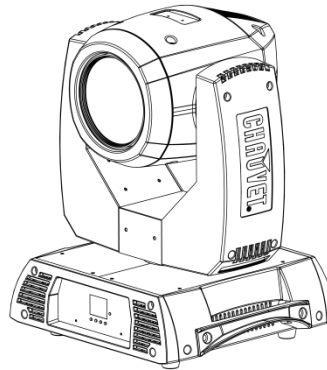
Lamp Replacement The Rogue™ R1 Beam is equipped with an Osram Sirius 132-W lamp. Follow the procedure below to safely change the lamp.



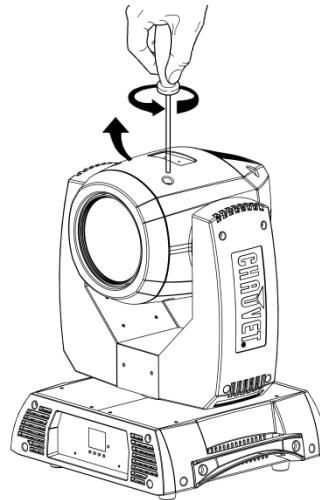
Disconnect the product from power before opening.

Procedure

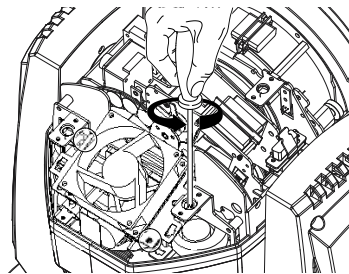
1. Turn the product off and disconnect it from power. Wait at least 15 minutes for the lamp to cool down.



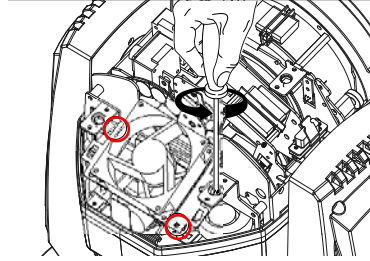
2. Remove both head covers by removing 8 Phillips-head ¼-turn screws.



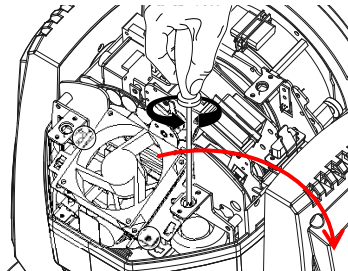
3. Orient the bottom of the moving head so that the fan is facing upward.



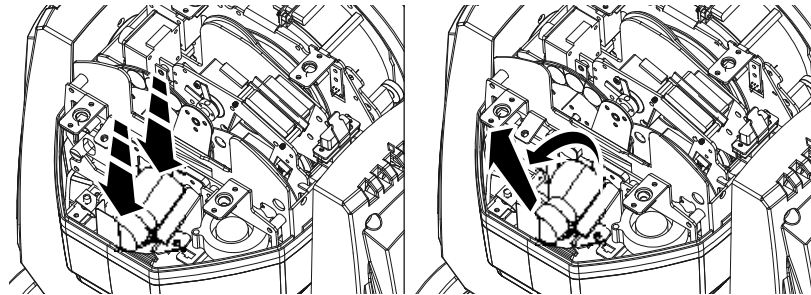
- Procedure 4.** Remove the 2 Phillips-head screws on the sides of the fan assembly.
(Cont.)



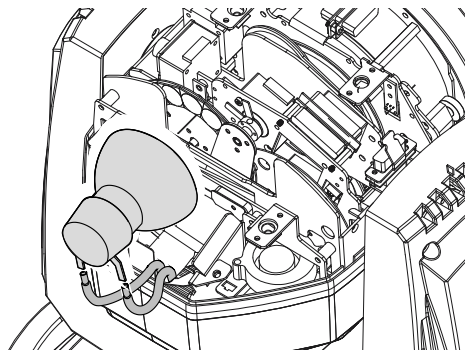
5. Roll the fan assembly to the right to expose the lamp.



6. Using the lamp base, push the lamp down against the spring clips located on the bottom, then roll the lamp out the top.



7. Unscrew the 2 wires connected to the lamp by the spade fork terminals.



8. Reverse the steps above to install the new lamp. Do not touch the glass with bare hands.



Do not turn product on without a lamp!

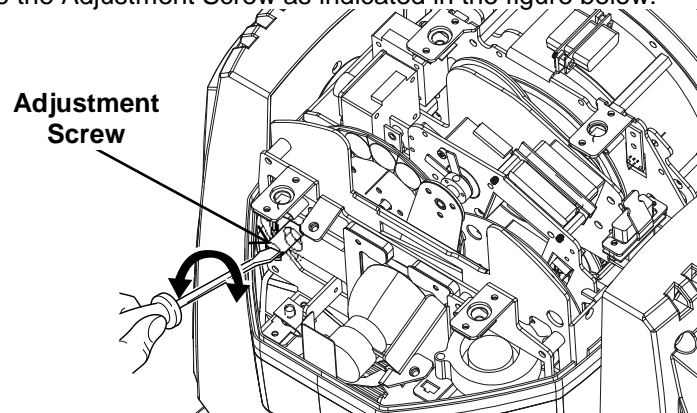
Increasing the Lamp's Life

- **ALWAYS** turn the lamp off by using the DMX controller or the product's control panel, then wait at least 5 minutes before switching off the product. This will keep the fans running to extract any remaining heat from the product's head.
- **DO NOT** power cycle the product unless it is necessary.
- **DO NOT** re-strike the lamp immediately after turning it off. CHAUVET® recommends waiting 5 minutes before trying to re-strike the lamp.
- **DO NOT** touch the lamp without wearing gloves to avoid leaving grease on the bulb or on the contacts that could reduce the lamp's life.
- **ALWAYS** change the lamp when it has reached its recommended lifespan to avoid the risk of lamp explosion.

Lamp Adjustment

The Rogue™ R1 Beam allows for lamp adjustment or "bench focusing". Follow the procedure below to safely adjust the lamp.

1. Follow steps 1 and 2 of the [Lamp Replacement](#) procedure.
2. After connecting the product to power, turn product on.
3. Using DMX or as explained in [Manual Test](#) section, orient the bottom of the moving head so that the fan is facing upward.
4. Locate the Adjustment Screw as indicated in the figure below:



5. Turn the Adjusting Screw while viewing the light on a flat white surface to find desired focus.
6. Turn the product off and disconnect it from power. Wait at least 15 minutes for the lamp to cool down.
7. Re-attach both head covers by replacing all 8 Phillips-head ¼-turn screws.

Mounting Before mounting this product, read and follow the [Safety Notes](#). For our CHAUVET® line of mounting clamps, go to <http://trusst.com/productcategory/base-plates-accessories-clamps/>.

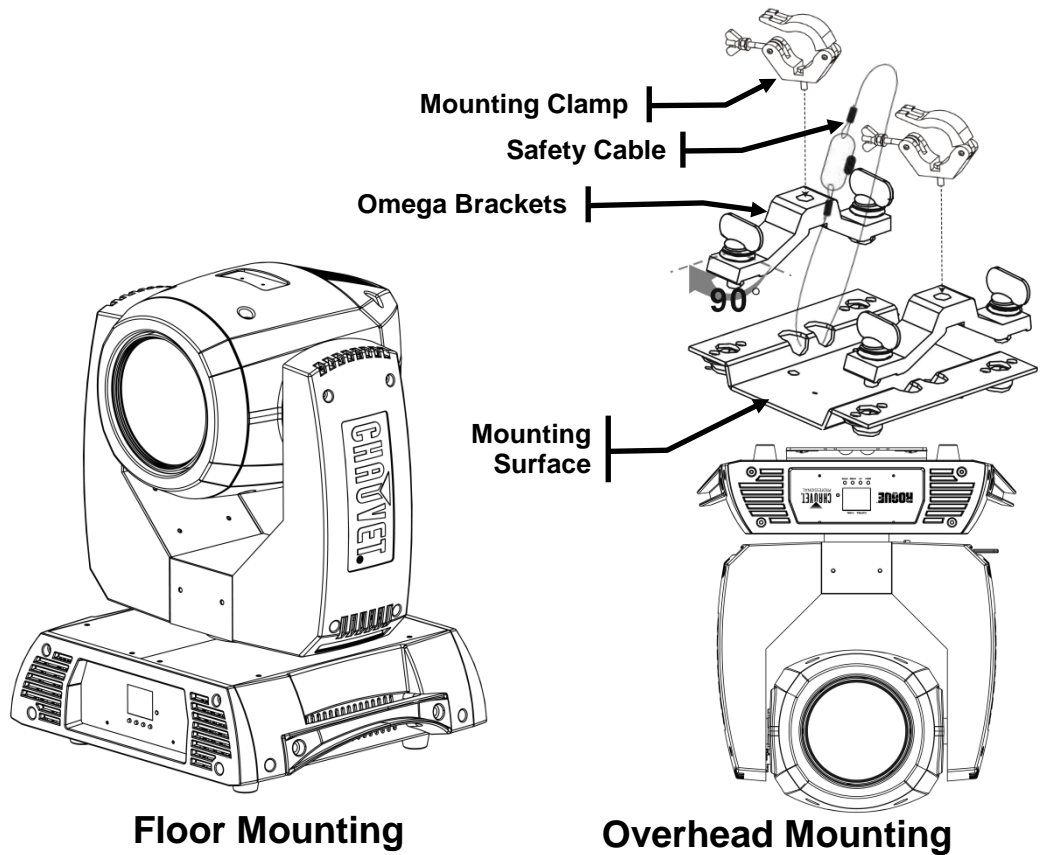
Orientation Always mount this product in a safe position and make sure there is adequate room for ventilation, configuration, and maintenance.

Rigging CHAUVET® recommends using the following general guidelines when mounting this product.

- When selecting an installation location, consider easy access to this product for operation, programming adjustments, and routine maintenance.
- Make sure to mount this product away from any flammable material as indicated in the [Safety Notes](#).
- Never mount in places where rain, high humidity, extreme temperature changes, or restricted ventilation may affect the product.
- If hanging this product, make sure that the mounting location can support the product's weight. See the [Technical Specifications](#) for the weight-bearing requirements of this product.
- When hanging this product, always secure to a fastening device using a safety cable (such as **CH-05** from CHAUVET®).

Procedure The Rogue™ R1 Beam comes with a preinstalled mounting surface to which you will be able to attach the 2 included omega brackets. Make sure the clamps (such as **CLP-15** from CHAUVET®) are capable of supporting the weight of this product. Use two mounting points per product. In addition, use a safety cable to link the product to the structure.

Mounting Diagram



Floor Mounting

Overhead Mounting

4. OPERATION

Control Panel Description

Button	Function
<MENU>	Exits from the current menu or function
<ENTER>	Enables the currently displayed menu or sets the currently selected value in to the current function
<UP>	Navigates upward through the menu list or increases the numeric value when in a function
<DOWN>	Navigates downward through the menu list or decreases the numeric value when in a function

Control Options

You can set the Rogue™ R1 Beam starting address in the **001–512** DMX range. This enables control of up to 26 products in the 19-channel **19CH** personality.

Programming

Refer to the [Menu Map](#) to understand the menu options. The menu map shows the main level and a variable number of programming levels for each option.

- To enter programming mode, press any key on the control panel to wake the opening screen. Press <MENU> until you see one of the main level options.
- To highlight a menu option or to change a setting, press <UP> or <DOWN>.
- To change menu levels as shown in the [Menu Map](#), press <ENTER> or <MENU>. This is equivalent to moving right and left of the Menu Map, respectively.
- To accept the current or new value, press <ENTER>.
- To return to the previous menu without making changes, press <MENU>.
- To exit programming mode, press <MENU> until you see one of the main level options, the opening screen, or do not press any button for 30 seconds and the screen will automatically revert to the opening screen.

Menu Map

Main Level	Programming Levels		Description	
Address	001–512		Sets the DMX starting address	
Run Mode	DMX	15CH	Selects the DMX mode	
		19CH		
	Auto Test		Runs the product's test sequence	
	Manual Test	Pan	000–255	Allows manual control of all settings from the control panel
		Pan Fine		
		Tilt		
		Tilt Fine		
		P/T Speed		
		Dimmer		
		Dimmer Fine		
		Shutter		
		Color		
		Gobo		
		Prism1		
		R-Prism1		
Prism2				
R-Prism2				
Focus				
P/T Macro				
P/T Ma.Speed				
Special Function				

Menu Map (Cont.)

Main Level	Programming Levels		Description	
Setup	Pan Reverse	YES	Reverse pan operation	
		NO	Normal pan operation	
	Tilt Reverse	YES	Reverse tilt operation	
		NO	Normal tilt operation	
	Screen Reverse	YES	Rotates control screen view 180°	
		NO	Normal control screen view	
	Pan Angle	540	Selects the 540° pan angle range	
		360	Selects the 360° pan angle range	
		180	Selects the 180° pan angle range	
	Tilt Angle	270	Selects the 270° tilt angle range	
		180	Selects the 180° tilt angle range	
		90	Selects the 90° tilt angle range	
	BL.O.P/T Move	YES	Defines the pan/tilt move-in-black delay	
		NO		
	BL.O.ColorMove	YES	Defines the color change move-in-black delay	
		NO		
	BL.O.GoboMove	YES	Defines the gobo change move-in-black delay	
		NO		
	Lamp Settings	On/Off	ON	Turns lamp on/off
			OFF	
State/Power on		ON	Defines the status of lamp when powering up product	
		OFF		
Off Via Dmx		YES	Turns off the unit via DMX controller	
		NO		
On If Dmx On		YES	Turns lamp on when DMX signal is detected	
		NO		
Off If Dmx Off		YES	Turns lamp off when DMX signal is lost	
	NO			
Ignition Delay	000–255	Selects duration of delay between product power on and lamp power on		
Low Power Delay	000–255	Selects the duration of delay when shutter is closed and lamp enters lower power state		
Reset Lamp Time	YES	Resets lamp timer to 0		
	NO	Leaves lamp time unchanged		

Menu Map (Cont.)

Main Level	Programming Levels		Description	
Setup (Cont.)	Maintenance Timer	Interval	10–250	Defines amount of hours between maintenance
		Remaining Time	NO	Shows amount of time remaining in maintenance cycle
			RESET	Resets the time back to the beginning
	Reset Function	Pan/Tilt	YES	Resets pan/tilt functions to the home position
			NO	
		Prism	YES	Resets all prism functions to the home position
			NO	
		Color	YES	Resets all color functions to the home position
			NO	
		Gobo	YES	Resets all gobo functions to the home position
			NO	
		Shutter/ Focus	YES	Resets the shutter and focus functions to the home position
			NO	
	All	YES	Resets all functions to the home position	
		NO		
Factory Settings	YES	Reverts the product back to the original factory settings		
	NO			
Sys Info	Ver:		Displays the software version	
	Running Mode:		Displays the current running mode	
	Dmx Address:		Displays the current DMX address	
	Temperature:		Displays the product's temperature in Celsius	
	Lamp On Time:		Displays the amount of time the lamp has been on (provided the counter has been reset upon installation of new lamp)	
	Remain Time:		Shows amount of time remaining in maintenance cycle	

Address This programming level sets the DMX starting address.

- Starting from the Main Level screen, select **Address**, press **<ENTER>**.

Set the DMX Address In this mode, each product will respond to a unique starting address from the DMX controller. All products with the same starting address will respond in unison. This option sets the products DMX address.

- Change the starting address (**001–512**), press **<ENTER>**.

Run Mode This programming level sets the DMX personality and controls the different test modes.

- Starting from the Main Level screen, select **Run Mode**, press **<ENTER>**.

DMX Personality This option selects which DMX Personality the product uses.

1. Highlight **DMX**, press **<ENTER>**.
 2. Select the DMX personality **15CH** or **19CH**, press **<ENTER>**.
- See the [DMX Values](#) section for the highest starting address you can select for each personality.
 - **Make sure that the starting addresses on the various products do not overlap due to the new personality setting.**



Auto Test This option runs every attribute individually through 1 cycle.

- Highlight **Auto Test**, press **<ENTER>**.



The Auto Test will end after 1 full cycle. You can stop the test by pressing <MENU> at any time.

Manual Test This option allows you to run each attribute individually or as a group.

1. Highlight **Manual Test**, press **<ENTER>**.
2. Highlight the desired attribute listed on the control panel screen, press **<ENTER>**.
 - Set the attribute value (**000–255**), press **<ENTER>**.
3. Repeat step 2 for the other attributes.



When exiting the Manual Test level, the values of all tested channels will go back to zero.

- Setup** This programming level controls the product's head movement, lamp adjustments, and maintenance timer.

 - Starting from the Main Level screen, select **Setup**, press **<ENTER>**.
- Pan Reverse** Reverses the operation of the pan attribute.

 1. Highlight **Pan Reverse**, press **<ENTER>**.
 2. Select **YES** or **NO**, press **<ENTER>**.
- Tilt Reverse** Reverses the operation of the tilt attribute.

 1. Highlight **Tilt Reverse**, press **<ENTER>**.
 2. Select **YES** or **NO**, press **<ENTER>**.
- Screen Reverse** To invert the control panel screen:

 1. Highlight **Screen Reverse**, press **<ENTER>**.
 2. Select **YES** or **NO**, press **<ENTER>**.
- Pan Angle** This option assigns pan range.


 1. Highlight **Pan Angle**, press **<ENTER>**.
 2. Select **540**, **360**, or **180**, press **<ENTER>**.
- Tilt Angle** This option assigns tilt range.

 1. Highlight **Tilt Angle**, press **<ENTER>**.
 2. Select **90**, **180**, or **270**, press **<ENTER>**.
- Pan and Tilt Movement BlackOut** This option engages the shutter to block all light output whenever the product's head is in motion.

 1. Highlight **BL.O.P/T Move**, press **<ENTER>**.
 2. Select **YES** or **NO**, press **<ENTER>**.
- Color Movement BlackOut** This option engages the shutter to block all light output whenever the product's color wheel is in motion.

 1. Highlight **BL.O.ColorMove**, press **<ENTER>**.
 2. Select **YES** or **NO**, press **<ENTER>**.
- Gobo Movement BlackOut** This option engages the shutter to block all light output whenever the product's gobo wheel is in motion.

 1. Highlight **BL.O.GoboMove**, press **<ENTER>**.
 2. Select **YES** or **NO**, press **<ENTER>**.

- Lamp Settings** This programming level allows the user to change a range of options that control the action of the lamp.
- Starting from the **Setup** screen level, select **Lamp Settings**, press **<ENTER>**.
- Turning the Lamp On/Off** This option turns the lamp on and off.
- Highlight **On/Off**, press **<ENTER>**.
 - Select **ON** or **OFF**, press **<ENTER>**.
 - Do not turn product on without a lamp!**
 - ALWAYS turn the lamp off by using the DMX controller or the product's control panel, then wait at least 5 minutes before switching off the product. This will keep the fans running to extract any remaining heat from the product's head.**
 - DO NOT power cycle the product unless it is necessary.**
 - DO NOT re-strike the lamp immediately after turning it off. CHAUVET® recommends waiting 5 minutes before trying to re-strike the lamp.**
- 
- Lamp State** This option determines whether the lamp turns on automatically when the product is powered up.
- Highlight **State/Power on**, press **<ENTER>**.
 - Select **ON** or **OFF**, press **<ENTER>**.
- Remote Turn Off** This option allows a connected DMX controller to turn the lamp on/off via the control channel.
- Highlight **Off Via Dmx**, press **<ENTER>**.
 - Select **YES** or **NO**, press **<ENTER>**.
- Lamp On if DMX Present** This option determines whether the lamp turns on automatically when a DMX signal is detected.
- Highlight **On If Dmx On**, press **<ENTER>**.
 - Select **YES** or **NO**, press **<ENTER>**.
- Lamp Off if DMX Absent** This option determines whether the lamp turns off automatically when a DMX signal is lost.
- Highlight **Off If Dmx Off**, press **<ENTER>**.
 - Select **YES** or **NO**, press **<ENTER>**.
- Lamp Strike Delay** This option sets the duration of time (seconds) it takes for the lamp to turn on when powering up the product.
- Highlight **Ignition Delay**, press **<ENTER>**.
 - Select **000–255**, press **<ENTER>**.
- Lamp Low Power State** This attribute puts the lamp into a low power state when the shutters are closed helping to increase the life of the shutters. This option allows the user to adjust how long from the instant the shutters are closed to the time the lamp enter the low power state.
- Highlight **Low Power Delay**, press **<ENTER>**.
 - Select **000–255**, press **<ENTER>**.
- Lamp Timer** This procedure resets the lamp maintenance timer to **0**. It is recommended that this be done after every lamp change.
- Highlight **Reset Lamp Time**, press **<ENTER>**.
 - Select **010–250**, press **<ENTER>**.

Maintenance Timer This programming level allows the user to change a range of options that control the action of the maintenance timer.

- Starting from the **Setup** screen level, select **Maintenance Timer**, press **<ENTER>**.

Maintenance Timer Interval This option defines the amount of time (hours) that the maintenance timer will count down to.

1. Highlight **Interval**, press **<ENTER>**.
2. Select **YES** or **NO**, press **<ENTER>**.

Maintenance Timer Reset This option resets the maintenance timer.

1. Highlight **Remaining Time**, press **<ENTER>**.
2. Select **RESET** or **NO**, press **<ENTER>**.

Reset Function This programming level allows the user to reset individual functions to the home position.

- Starting from the **Setup** screen level, select **Reset Function**, press **<ENTER>**.

Pan/Tilt Reset This option resets the Pan/Tilt functions to the home position.

1. Highlight **Pan/Tilt**, press **<ENTER>**.
2. Select **YES** or **NO**, press **<ENTER>**.

Prism Reset This option resets the Prism functions to the home position.

1. Highlight **Prism**, press **<ENTER>**.
2. Select **YES** or **NO**, press **<ENTER>**.

Color Reset This option resets the Color functions to the home position.

1. Highlight **Color**, press **<ENTER>**.
2. Select **YES** or **NO**, press **<ENTER>**.

Gobo Reset This option resets the Gobo functions to the home position.

1. Highlight **Gobo**, press **<ENTER>**.
2. Select **YES** or **NO**, press **<ENTER>**.

Shutter/ Focus Reset This option resets the Shutter/Focus functions to the home position.

1. Highlight **Shutter/Focus**, press **<ENTER>**.
2. Select **YES** or **NO**, press **<ENTER>**.

All Reset This option resets the all the functions to the home position.

1. Highlight **All**, press **<ENTER>**.
2. Select **YES** or **NO**, press **<ENTER>**.

Factory Reset Function This reverts the product back to its original factory settings.

1. Starting from the **Setup** screen level, select **Factory Settings**, press **<ENTER>**.
2. Select **YES** or **NO**, press **<ENTER>**.

System Information

- This programming level shows standard information regarding the product's operating status.
- Starting from the Main Level screen, select **Sys Info**, press **<ENTER>**.
 - **Ver:** The current software version is displayed on the screen.
 - **Running Mode:** The current Running mode is displayed on the screen.
 - **DMX Address:** The current DMX address is displayed on the screen.
 - **Temperature:** The current product temperature is displayed on the screen.
 - **Lamp On Time:** The amount of hours the lamp has been on is displayed on the screen.
 - **Remain Time:** The time remaining in the maintenance cycle is displayed on the screen.

Offset Mode

The Offset mode provides fine adjustments for the home position of all the moving parts in the optical path as well as the pan and tilt movements. This way, when in their home position, the moving parts do not show any border or reduce the light output.

1. Starting from the Main Level screen, Press and hold **<MENU>** until the password screen appears.
2. Using **<UP>** to increase the number value and **<DOWN>** to move to the next column, enter **2323**, press **<ENTER>**. This brings you into the Zero Adjust menu screen.

Pan

1. Highlight **PAN**, press **<ENTER>**.
2. Select **000–255**, press **<ENTER>**.

Tilt

1. Highlight **TILT**, press **<ENTER>**.
2. Select **000–255**, press **<ENTER>**.

Dimmer 1

1. Highlight **DIMMER1**, press **<ENTER>**.
2. Select **000–255**, press **<ENTER>**.

Dimmer 2

1. Highlight **DIMMER2**, press **<ENTER>**.
2. Select **000–255**, press **<ENTER>**.

Gobo

1. Highlight **GOBO**, press **<ENTER>**.
2. Select **000–255**, press **<ENTER>**.

Color

1. Highlight **COLOR**, press **<ENTER>**.
2. Select **000–255**, press **<ENTER>**.

Prism 1

1. Highlight **PRISM1**, press **<ENTER>**.
2. Select **000–255**, press **<ENTER>**.

Rotating Prism 1

1. Highlight **R-PRISM1**, press **<ENTER>**.
2. Select **000–255**, press **<ENTER>**.

Prism 2

1. Highlight **PRISM2**, press **<ENTER>**.
2. Select **000–255**, press **<ENTER>**.

Rotating Prism 2

1. Highlight **R-PRISM2**, press **<ENTER>**.
2. Select **000–255**, press **<ENTER>**.

Focus

1. Highlight **FOCUS**, press **<ENTER>**.
2. Select **000–255**, press **<ENTER>**.

DMX Values

19CH	Channel	Function	Value	Percent/Setting
	1	Pan	000ó 255	0–100%
	2	Fine Pan	000ó 255	0–100%
	3	Tilt	000ó 255	0–100%
	4	Fine Tilt	000ó 255	0–100%
	5	Pan/Tilt Speed	000ó 255	0–100%
	6	Dimmer	000ó 255	0–100%
	7	Fine Dimmer	000ó 255	0–100%
	8	Shutter	000ó 007	Closed
			008ó 015	Open
			016ó 131	Slow to fast
			132ó 167	Fast close, slow open (slow to fast)
			168ó 203	Slow close, fast open (slow to fast)
			204ó 239	Pulse effect from slow to fast
			240ó 247	Random effect from slow to fast
			248ó 255	Open
	9	Color Wheel	000ó 004	Open (white)
			005ó 008	Red (1)
			009ó 012	Deep yellow (2)
			013ó 016	Turquoise (3)
			017ó 020	Green (4)
			021ó 024	Light green (5)
			025ó 028	Light purple (6)
			029ó 032	Pink (7)
			033ó 036	Light yellow (8)
			037ó 040	Magenta (9)
			041ó 044	Blue (10)
			045ó 048	CTO 3200 K (11)
			049ó 052	CTO 5600 K (12)
			053ó 056	CTO 6500 K (13)
	057ó 060	UV (14)		
	061ó 127	Split colors		
	128ó 189	Clockwise color scroll, fast to slow		
	190ó 193	Stop		
	194ó 255	Counter-clockwise color scroll, slow to fast		

DMX Values (Cont.)

19CH (Cont.)	Channel	Function	Value	Percent/Setting
10	Gobo Wheel	000	003	Open
		004	006	Gobo 1
		007	009	Gobo 2
		010	012	Gobo 3
		013	015	Gobo 4
		016	018	Gobo 5
		019	021	Gobo 6
		022	024	Gobo 7
		025	027	Gobo 8
		028	030	Gobo 9
		031	033	Gobo 10
		034	036	Gobo 11
		037	039	Gobo 12
		040	042	Gobo 13
		043	045	Gobo 14
		046	048	Gobo 15
		049	051	Gobo 16
		052	055	Gobo 17
		056	059	Open
		060	127	Gobo shake 1–17, slow to fast
128	189	Clockwise gobo scroll, fast to slow		
190	193	Stop		
194	255	Counter-clockwise gobo scroll, slow to fast		
11	Prism 1	000	004	No function
		005	255	Prism insert
12	Prism 1 Rotate	000	127	Prism index
		128	189	Counter-clockwise rotation, fast to slow
		190	193	Stop
		194	255	Clockwise rotation, slow to fast
13	Prism 2	000	004	No function
		005	255	Prism insert
14	Prism 2 Rotate	000	127	Prism index
		128	189	Counter-clockwise rotation, fast to slow
		190	193	Stop
		194	255	Clockwise rotation, slow to fast
15	Fine Prism Rotate	000	255	0–100%
16	Focus	000	255	0–100%

DMX Values (Cont.)

19CH (Cont.)	Channel	Function	Value	Percent/Setting
			000ó 007	No function
			008ó 015	Effect 1
			016ó 023	Effect 2
			024ó 031	Effect 3
			032ó 039	Effect 4
			040ó 047	Effect 5
			048ó 055	Effect 6
			056ó 063	Effect 7
			064ó 071	Effect 8
			072ó 079	Effect 9
			080ó 087	Effect 10
			088ó 095	Effect 11
			096ó 103	Effect 12
			104ó 111	Effect 13
			112ó 119	Effect 14
	17	Movement Macros	120ó 127	Effect 15
			128ó 135	Effect 16
			136ó 143	Effect 17
			144ó 151	Effect 18
			152ó 159	Effect 19
			160ó 167	Effect 20
			168ó 175	Effect 21
			176ó 183	Effect 22
			184ó 191	Effect 23
			192ó 199	Effect 24
			200ó 207	Effect 25
			208ó 215	Effect 26
			216ó 223	Effect 27
			224ó 231	Effect 28
			232ó 239	Effect 29
			240ó 247	Effect 30
			248ó 255	Effect 31

DMX Values (Cont.)

19CH (Cont.)	Channel	Function	Value	Percent/Setting
	18	Movement Macro Speed	000ó 255	0–100%
	19	Control	000ó 029	No function
			030ó 039	Dimmer conventional mode
			040ó 049	Dimmer linear mode
			050ó 059	Pan/Tilt fast mode
			060ó 069	Pan/Tilt normal mode
			070ó 079	Blackout during pan/tilt (3 sec hold)
			080ó 089	Disable pan/tilt blackout (3 sec hold)
			090ó 099	Blackout while color wheel moving (3 sec hold)
			100ó 109	Disable color wheel blackout (3 sec hold)
			110ó 119	Blackout while gobo wheels moving (3 sec hold)
			120ó 129	Disable gobo wheel blackout (3 sec hold)
			130ó 139	Lamp on
			140ó 149	Pan/Tilt reset
			150ó 159	Color wheel reset
			160ó 169	Gobo wheel reset
			170ó 179	No function
			180ó 189	Shutter/Focus reset
	190ó 199	All reset		
	200ó 219	Blackout all function during pan/tilt		
	220ó 229	Disable blackout all functions during pan/tilt		
	230ó 239	Lamp off		
	240ó 247	Pan/Tilt movement ramp speed, increase on		
	248ó 255	Pan/Tilt movement ramp speed, increase off		

15CH	Channel	Function	Value	Percent/Setting
	1	Pan	000ó 255	0–100%
	2	Fine Pan	000ó 255	0–100%
	3	Tilt	000ó 255	0–100%
	4	Fine Tilt	000ó 255	0–100%
	5	Pan/Tilt Speed	000ó 255	0–100%
	6	Dimmer	000ó 255	0–100%
	7	Shutter	000ó 007	Closed
			008ó 015	Open
			016ó 131	Slow to fast
			132ó 167	Fast close, slow open (slow to fast)
			168ó 203	Slow close, fast open (slow to fast)
			204ó 239	Pulse effect from slow to fast
			240ó 247	Random effect from slow to fast
			248ó 255	Open

DMX Values (Cont.)

15CH (Cont.)	Channel	Function	Value	Percent/Setting
8	Color Wheel	000	004	Open (white)
		005	008	Red (1)
		009	012	Deep yellow (2)
		013	016	Turquoise (3)
		017	020	Green (4)
		021	024	Light green (5)
		025	028	Light purple (6)
		029	032	Pink (7)
		033	036	Light yellow (8)
		037	040	Magenta (9)
		041	044	Blue (10)
		045	048	CTO 3200 K (11)
		049	052	CTO 5600 K (12)
		053	056	CTO 6500 K (13)
		057	060	UV (14)
061	127	Split colors		
128	189	Clockwise color scroll, fast to slow		
190	193	Stop		
194	255	Counter-clockwise color scroll, slow to fast		
9	Gobo Wheel	000	003	Open
		004	006	Gobo 1
		007	009	Gobo 2
		010	012	Gobo 3
		013	015	Gobo 4
		016	018	Gobo 5
		019	021	Gobo 6
		022	024	Gobo 7
		025	027	Gobo 8
		028	030	Gobo 9
		031	033	Gobo 10
		034	036	Gobo 11
		037	039	Gobo 12
		040	042	Gobo 13
		043	045	Gobo 14
		046	048	Gobo 15
		049	051	Gobo 16
		052	055	Gobo 17
		056	059	Open
		060	127	Gobo shake 1–17, slow to fast
128	189	Clockwise gobo scroll, fast to slow		
190	193	Stop		
194	255	Counter-clockwise gobo scroll, slow to fast		
10	Prism 1	000	004	No function
		005	255	Prism insert
11	Prism 1 Rotate	000	127	Prism index
		128	189	Counter-clockwise rotation, fast to slow
		190	193	Stop
		194	255	Clockwise rotation, slow to fast

DMX Values (Cont.)

15CH (Cont.)	Channel	Function	Value	Percent/Setting
	12	Prism 2	000 ó 004	No function
			005 ó 255	Prism insert
	13	Prism 2 Rotate	000 ó 127	Prism index
			128 ó 189	Counter-clockwise rotation, fast to slow
			190 ó 193	Stop
			194 ó 255	Clockwise rotation, slow to fast
	14	Focus	000 ó 255	0–100%
	15	Control	000 ó 029	No function
			030 ó 039	Dimmer conventional mode
			040 ó 049	Dimmer linear mode
			050 ó 059	Pan/Tilt fast mode
			060 ó 069	Pan/Tilt normal mode
			070 ó 079	Blackout during pan/tilt (3 sec hold)
			080 ó 089	Disable pan/tilt blackout (3 sec hold)
			090 ó 099	Blackout while color wheel moving (3 sec hold)
			100 ó 109	Disable color wheel blackout (3 sec hold)
			110 ó 119	Blackout while gobo wheels moving (3 sec hold)
			120 ó 129	Disable gobo wheel blackout (3 sec hold)
			130 ó 139	Lamp on
			140 ó 149	Pan/Tilt reset
			150 ó 159	Color wheel reset
			160 ó 169	Gobo wheel reset
			170 ó 179	No function
			180 ó 189	Shutter/Focus reset
			190 ó 199	All reset
			200 ó 219	Blackout all function during pan/tilt
			220 ó 229	Disable blackout all functions during pan/tilt
230 ó 239	Lamp off			
240 ó 247	Pan/Tilt movement ramp speed, increase on			
248 ó 255	Pan/Tilt movement ramp speed, increase off			

5. TECHNICAL INFORMATION

Product Maintenance

To maintain optimum performance and minimize wear, you should clean this product frequently. Usage and environment are contributing factors in determining the cleaning frequency.

As a rule, clean this product at least twice a month. Dust build-up reduces light output performance and can cause overheating. This can lead to reduced light source life and increased mechanical wear.

To clean your product:

1. Unplug the product from power.
2. Wait until the product is at room temperature.
3. Use a vacuum (or dry compressed air) and a soft brush to remove dust collected on the external vents.
4. Clean all external surfaces with a mild solution of non-ammonia glass cleaner or isopropyl alcohol.
5. Apply the solution directly to a soft, lint-free cotton cloth or a lens cleaning tissue.
6. Wipe any dirt or grime to the outside edges of the lens surface.
7. Gently polish the lens surfaces until they are free of haze and lint.



Always dry the external surfaces thoroughly and carefully after cleaning them.



Do not spin the cooling fans while blowing compressed air into them.

6. TECHNICAL SPECIFICATIONS

Dimensions and Weight	Length	Width	Height	Weight
	11.1 in (282 mm)	14.2 in (360 mm)	17.5 in (445 mm)	38.8 lb (17.6 kg)
Note: Dimensions in inches rounded to the nearest decimal digit.				
Power	Power Supply Type	Range		Voltage Selection
	Switching (internal)	100–240 VAC, 50/60 Hz		Auto-ranging
	Parameter	120 VAC, 60 Hz		230 VAC, 50 Hz
	Consumption	263 W		265 W
	Current	2.4 A		1.1 A
	Fuse	F 5 A, 250 V		F 5 A, 250 V
	Power I/O	U.S./Canada		Worldwide
Power input connector	Neutrik® powerCON® A		Neutrik® powerCON® A	
Power cord plug	Edison (U.S.)		Local plug	
Light Source	Type	Power	Lifespan	
	HRI	132 W	6,000 hours	
Photo Optic	Parameter	Standard Optics		
	Illuminance @ 15 m	78,700 lux		
	Beam angle	1°		
	Field angle	2°		
Thermal	Max. External Temperature	Cooling System		
	113 °F (45 °C)	Fan-Cooled		
DMX	I/O Connectors	Connector Type	Channel Range	
	3- and 5-pin XLR	Sockets	15 or 19	
Ordering	Product Name	Item Code	UPC Number	
	Rogue™ R1 Beam	08010830	781462211783	
	Rogue™ R1 Beam x2	08010880	781462212285	



UL 1573
 CSA C22.2 No. 166
 E113093

Returns You must send the product prepaid, in the original box, and with the original packing and accessories. CHAUVET® will not issue call tags. Call CHAUVET® and request a Return Merchandise Authorization (RMA) number before shipping the product. Be prepared to provide the model number, serial number, and a brief description of the cause(s) for the return. Clearly label the package with an RMA number. CHAUVET® will refuse any product returned without an RMA number.



DO NOT write the RMA number directly on the box. Instead, write it on a properly affixed label.

Once you have received the RMA number, include the following information on a piece of paper inside the box:

- Your name
- Your address
- Your phone number
- The RMA number
- A brief description of the problem(s)

Be sure to pack the product properly. Any shipping damage resulting from inadequate packaging will be the customer's responsibility. FedEx packing or double-boxing is recommended.



CHAUVET® reserves the right to use its own discretion to repair or replace returned product(s).

CONTACT Us

WORLD HEADQUARTERS - CHAUVET®

General Information

Address: 5200 NW 108th Avenue
Sunrise, FL 33351
Voice: (954) 577-4455
Fax: (954) 929-5560
Toll free: (800) 762-1084

Technical Support

Voice: (954) 577-4455 (Press 4)
Fax: (954) 756-8015
Email: tech@chauvetlighting.com

World Wide Web

www.chauvetlighting.com

UNITED KINGDOM AND IRELAND - CHAUVET® Europe Ltd.

General Information

Address: Unit 1C
Brookhill Road Industrial Estate
Pinxton, Nottingham, UK
NG16 6NT
Voice: +44 (0)1773 511115
Fax: +44 (0)1773 511110

Technical Support

Email: uktech@chauvetlighting.com

World Wide Web

www.chauvetlighting.co.uk

MEXICO - CHAUVET® Mexico

General Information

Address: Av. Santa Ana 30
Parque Industrial Lerma
Lerma, Mexico C.P. 52000
Voice: +52 (728) 285-5000

Technical Support

Email: servicio@chauvet.com.mx

World Wide Web

www.chauvet.com.mx

Outside the U.S., United Kingdom, Ireland, or Mexico, contact your dealer. Follow their instructions to request support or to return a product. Visit our website for contact details.