

## Technical Information

No. DO 5346

Edition: 09/05 - subject to change

supersedes: -

Status: valid

Halogen Studiolamp  
single ended

# 93721 LL QXL

### ■ Product description

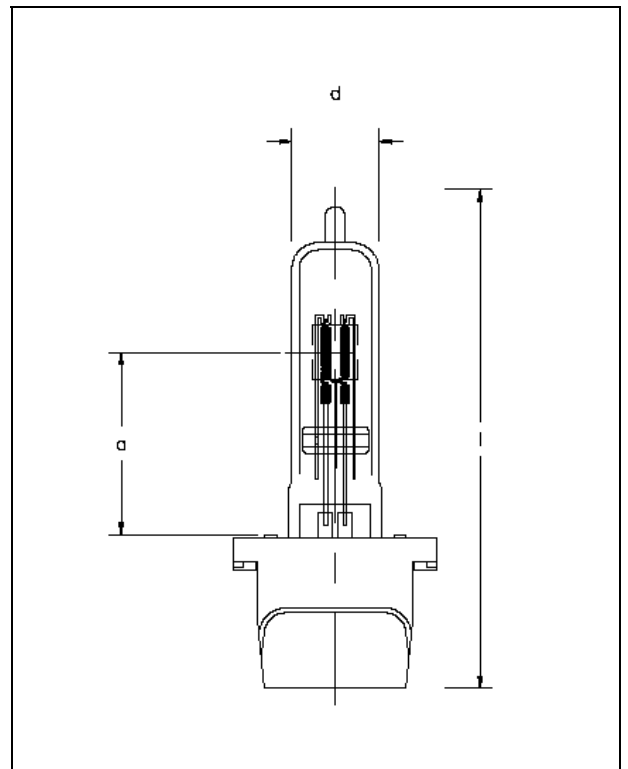
The QXL LL 750W 77V “**Q**uick **eX**change **L**amp” is used in the Source Four “Revolution” fixture in theatres and allows easy replacement without opening the fixture.

The **eX**treme **S**eal (XS) technology protects the seal up to 450°C.

Longlife version with 1500h.

### ■ Technical

Lamp/ order reference		93721 LL QXL
ANSI		QXL
LIF		-
Rated lamp wattage	W	750
Rated lamp voltage	V	77
Luminous flux	lm	18000
Luminous efficacy	lm/W	24
Colour temperature	K	3050
Length <b>l</b>	mm	max. 104
Diameter <b>d</b>	mm	max. 18.4
LCL <b>a</b>	mm	38
Type of filament		4-C8
Filament dimensions	mm <sup>2</sup>	6.5 x 12
Average Lifetime	h	1500
Base		Bajonett/ quick exchange (QXL)



### ■ Operation conditions

Burning position		Any
max. seal temperature	°C	450