



### PRECISION DMX: 3W RGB DMX FLOODLIGHT

The patented Precision DMX is the world's smallest DMX512 controllable, theatrical floodlight. This RGB luminaire is smaller than a fist yet packs a punch comparable to traditional fixtures several times its size! No other fixture on the market comes close to the compactness of the Precision DMX, with all the internal circuitry and intelligence built in.

The Precision DMX is a microprocessor-based, intelligent lighting fixture that can be controlled to generate a wide range of vivid colors. Tunable preset functions allow the user to generate various patterns without complex signaling. A built-in flicker generator can create unique and realistic flame, surge, and lightning effects with ease.

Standalone operation is achievable when the fixture is configured with our DMX Programmer app, making the Precision DMX a fully tunable floodlight that can operate without a signal. The user simply sets the desired output of the Precision DMX with the DMX Programmer app and the settings will be stored in the fixture's memory.

#### FEATURES

- ✓ Full color control via DMX512 or DMX Programmer app
- ✓ 7 channel DMX control
- ✓ Built-in functions: flicker, strobe, blink, fade, color change, master dimming, and color macros
- ✓ Standalone mode allows set-and-forget operation without DMX signal (requires DMX Programmer app)
- ✓ DMX address and configuration stored in memory
- ✓ Low voltage and minimal heat for improved safety over incandescent sources
- ✓ Internal, constant-current driver gives highly efficient and consistent output
- ✓ Minimal maintenance required with over 50,000-hour lamp life

#### SPECIFICATIONS

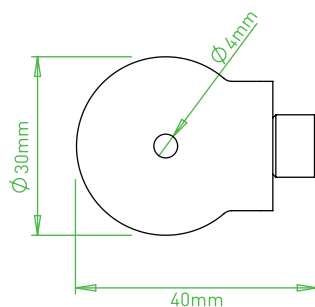
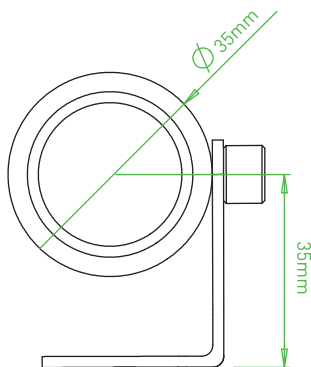
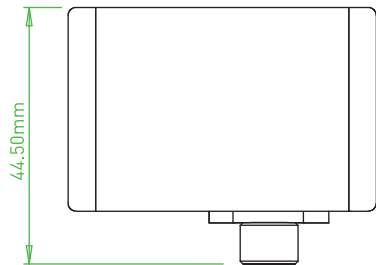
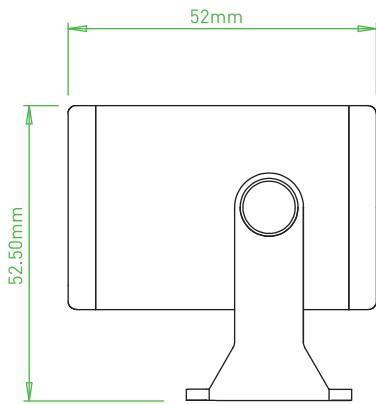
MAX WATTAGE	3.8
INPUT VOLTAGE	9-15VDC (12VDC nominal)
CURRENT DRAW	320mA @ 12VDC
POWER SUPPLY	Class 2 transformer or battery
BEAM ANGLE	21°
FIELD ANGLE	45°
INGRESS PROTECTION	IP65
LED	Edison R Series
EXTERIOR FINISH	Black anodized aluminum
CERTIFICATION	UL

#### FULL POWER OUTPUT

Distance	Center Brightness	Beam Width
1.0m (3.3ft)	353lx (32.7fc)	0.4m (1.2ft)
2.0m (6.6ft)	86lx (8.0fc)	0.7m (2.4ft)
3.0m (9.8ft)	36lx (3.3fc)	1.1m (3.6ft)

#### PART NUMBER

Precision DMX - Go Cable Connector	PR41
Precision DMX - Pro Cable Connector	GP141



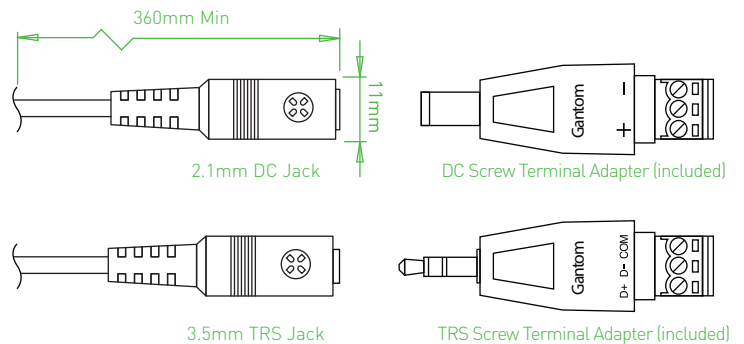
## DMX CHANNEL MAP

Channel	Name	Level	Description
Ch 1-3	RGB Level	0-255	Controls RGB levels
Ch 4	Color Macro	32-255	Overrides Ch 1-3 with preset color
Ch 5	Speed	/	If Ch 6 is 0, Ch 5 controls strobe speed If Ch 6 is not 0, Ch 5 controls speed of sequence
Ch 6	Built-In Functions	32-71	Fade in (at least one of Ch 1-3 must not be 0)
		72-111	Fade out (at least one of Ch 1-3 must not be 0)
		112-151	Pulsing (at least one of Ch 1-3 must not be 0)
		152-191	Smooth color fade
		192-231	Red, Green, Blue color change
		232-250	6 color change
		251-255	Flicker (color based on Ch 1-3 or Ch 4)
Ch 7	Master Dimmer	0-255	Bright to dim

## CONNECTOR OPTIONS

**Go Cable Connector** - Power and data are on separate connectors: power provided using 2.1mm DC jack and signal provided using 3.5mm TRS jack. Compatible with Go Cable system.

**Recommended for temporary and reconfigurable use.**



**Pro Cable Connector** - Power and data integrated in a single cable with 5-pin, sealed, locking connector. For use with our G8 Distribution Box and Pro Cable system.

**Recommended for permanent installations.**

