



# MSR Gold™ 2000/2 FastFit ICT

## Product family description

FastFit is also available in MSD Gold™ , Ceramic ST and Halogen.

## Product Features

- Philips FastFit
- Very short arc
- Compact design
- Flexible power range
- Philips pinch protection
- Innovative gold plated pins
- MSR filling

## Product Benefits

- Lamp replacement in just seconds, exchangeable with halogen lamp
- High beam intensity
- Easy handling, smaller and lighter fixtures possible
- Boostable light levels
- Enables use at higher temperatures in any burning position. Longer lifetime, fewer early failures, consistent performance over time
- Reduces early lamp or lamp holder failures. Excellent current transfer
- Pure, white light; color point close to black body line

Product data	
Order code	219766
Full product name	MSR Gold™ 2000/2 FastFit ICT
Packing type	1 Carton
Pieces per pack	1
Net weight per piece	0.147 KG
Successor order code	
System Description	FastFit
Cap-Base	PGJX50
Cap-Base Information	PGJX50
Operating Position	any
Main Application	Entertainment
Packing Type	ICT [1 Carton]
Packing Configuration	4

# PHILIPS

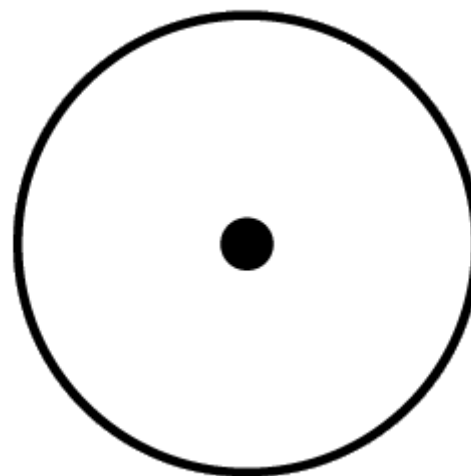
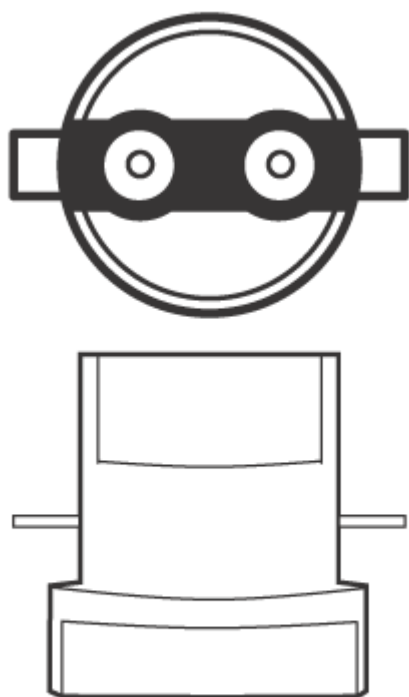
Product data	
Life to 50% failures EM	750 hr [nom]
Lamp Wattage	2000W
Technical Type	2000
Lamp Wattage Technical	2000 W [nom]
Lamp Current	15.4 A [nom]
Ignition Supply Voltage	198 V [min]
Dimmable	Yes
Color Code	2
Color Rendering Index	88 Ra8 [nom]
Color Temperature	7500 K [nom]
Color Temperature Technical	7500 K [nom]
Chromaticity Coordinate X	297 - [nom]
Chromaticity Coordinate Y	322 - [nom]
Luminous Flux Lamp EM	138000 Lm [min] 160000 Lm [nom]
Luminous Efficacy Lamp EM	80 Lm/W [nom]
Base Face to Base Face A	- mm [max]
Overall Length C	134 mm [max]
Diameter D	34 mm [max]
Diameter DI	- mm [nom]
Width F	41 mm [nom]
Light Center Length L	66 mm [min] 67 mm [nom] 68 mm [max]
Arc Length O	8.0 mm [nom]
Pinch Temperature	500 C [max]
Bulb Temperature	950 C [max]



MSR Gold™ 1500, 2000, 2000/2, 2500/2 FastFit

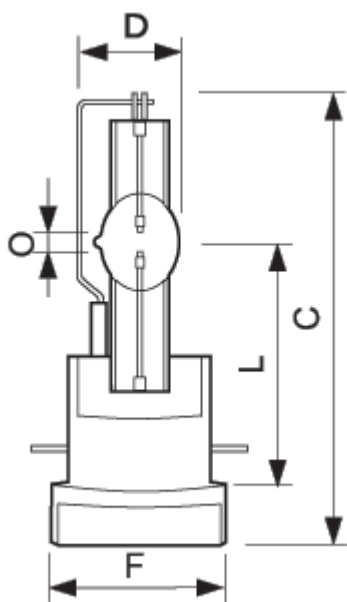
**MSR Gold GOLD 1500W/2000W/2500W FastFit**

MSR Gold™ 1200 FastFit



Operating Position any

Cap-Base PGJX50



MSR GOLD™ FastFit

MSR Gold GOLD 1500W/2000W/2500W FastFit PGJX50

	A	A	A	A	A	A
Full product name	Min	Min	Nom	Nom	Max	Max
MSR Gold™ 2000/2 FastFit ICT	-	-	-	-	-	-

	C	C	D	D	D1	D1
Full product name	Max	Max	Max	Max	Nom	Nom
MSR Gold™ 2000/2 FastFit ICT	134	134	34	34	-	-

	F	F	F	F	F	F
Full product name	Min	Min	Nom	Nom	Max	Max
MSR Gold™ 2000/2 FastFit ICT	-	-	4l	4l	-	-

	L	L	L	L	L	L
Full product name	Min	Min	Nom	Nom	Max	Max
MSR Gold™ 2000/2 FastFit ICT	66	66	67	67	68	68

	O	O
Full product name	Nom	Nom
MSR Gold™ 2000/2 FastFit ICT	8.0	8.0



©2009 Koninklijke Philips Electronics N.V.

All rights reserved. Reproduction in whole or in part is prohibited without the prior written consent of the copyright owner. The information presented in this document does not form part of any quotation or contract, is believed to be accurate and reliable and may be changed without notice. No liability will be accepted by the publisher for any consequence of its use. Publication thereof does not convey nor imply any license under patent- or other industrial or intellectual property rights.

Document order number : 0000 000 00000