

Philips MSR Gold™ 1510 SA/DE



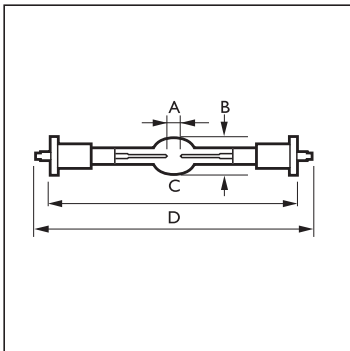
The new higher wattage lamp in the “golden” range.

Features

- Philips P3 pinch protection
- MSR filling
- Gold plated lamp caps

Benefits

- Enables use at higher temperatures in any burning position.
- Longer lifetime, fewer early failures, consistent performance over time.
- Pure, white light. Color point close to black body line.
- Consistent color impression over MSR Range.
- Reduces early lamp and/or lamp holder failures.



Type	A	B	C	D
Philips MSR Gold™ 1510 SA/DE	7	22	115	135

Dimensions in mm

Type	Nominal lamp wattage (W)	Cap/base	Arc size mm	Min ignition voltage (V)	Lumen output (lm)	Efficacy source (lm/W)	Color temp (K)	Max allowable pinch temp (°C)	CRI	Average lamp life (h)	Replacement before (h)	Burning position	Nominal lamp current (A)	Ordering number
Philips MSR Gold™ 1510 SA/DE	1500	SFC 10-4	7	207	140000	95	6000	500	88	750	1000	any	15	9281 766 05108

PHILIPS