



©2008 Koninklijke Philips Electronics N.V.

All rights reserved. Reproduction in whole or in part is prohibited without the prior written consent of the copyright owner. The information presented in this document does not form part of any quotation or contract, is believed to be accurate and reliable and may be changed without notice. No liability will be accepted by the publisher for any consequence of its use. Publication thereof does not convey nor imply any license under patent- or other industrial or intellectual property rights.

Document order number: 3222 635 9266 I

www.philips.com/broadway



Simplicity is a lamp that's faster fitting for more free time

Philips FastFit is a new lamp concept for Single Ended MSR Gold™ and Halogen Hi-Brite lamp types. The rear load lamp base system, developed by Philips and Bender & Wirth, enables easy lamp replacement and adjustments in seconds in difficult stage conditions and reduces the overall lamp length. This makes more compact and lighter fixture designs possible. The concept is made for both HID and Halogen lamps with the advantage that both technologies can be exchanged in the same fixture!

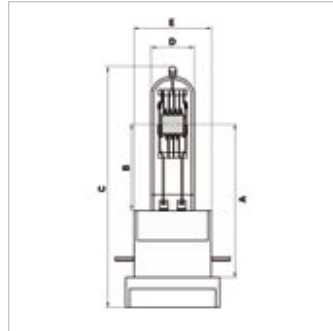
PHILIPS

Philips Hi-Brite FastFit

| Features | Benefits |
|---------------------------------|---|
| Philips FastFit | Lamp replacement in just seconds, exchangeable with HID lamp. |
| Compact Filament | High beam intensity. |
| Philips P3 pinch protection | Enables use at higher temperatures in any burning position. Longer lifetime, fewer early failures, consistent performance over time. |
| Compact, shock resistant design | Easy handling, ideal for moving head systems. |



Philips Hi-Brite FastFit



Philips Hi-Brite FastFit

| Watt | A | B | C | D | E | WxH |
|---------------|----|----|-----|----|----|-----------|
| 750 Hi-Brite | 65 | 26 | 125 | 19 | 41 | 8.5x9.5 |
| 1200 Hi-Brite | 82 | 43 | 140 | 25 | 41 | 11.7x10.2 |
| 1200/115 | 84 | 43 | 140 | 25 | 41 | 12x13 |
| 1200/230 | 84 | 43 | 140 | 25 | 41 | 16x16 |
| 1200/240 | 84 | 43 | 140 | 25 | 41 | 16x16 |

Dimensions in mm

| Type | Wattage (W) | Voltage (V) | Cap/base | Filament shape | Lumen output (lm) | Color temperature (K) | CRI | Efficacy source (lm/W) | Burning position | Average lamp life (h) | Max. perm. pinch temp. (°C) | Nom. Lamp current (A) | Ordering number |
|-------------------------------|----------------|----------------|----------|-------------------|-------------------------|-----------------------------|-----|------------------------------|---------------------|-----------------------------|-----------------------------------|-----------------------------|--------------------|
| Philips Hi-Brite 750 FastFit | 780 | 80 | PGJX50 | BP | 22500 | 3250 | 100 | 30 | any | 300 | 500 | 95 | 9245 768 28900 |
| Philips Hi-Brite 1200 FastFit | 1200 | 80 | PGJX50 | BP | 36000 | 3250 | 100 | 30 | any | 200 | 500 | 15 | 9245 752 28900 |
| Philips 1200/115 FastFit | 1200 | 115 | PGJX50 | BP | 33600 | 3200 | 100 | 28 | any | 300 | 500 | 10,4 | 9245 752 34400 |
| Philips 1200/230 FastFit | 1200 | 230 | PGJX50 | BP | 29000 | 3200 | 100 | 25 | any | 300 | 500 | 5,2 | 9245 752 44200 |
| Philips 1200/240 FastFit | 1200 | 240 | PGJX50 | BP | 29000 | 3200 | 100 | 25 | any | 300 | 500 | 5 | 9245 752 45500 |



Philips P3 pinch protection technology

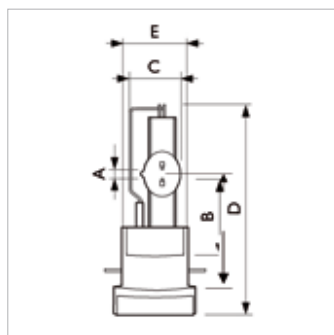
- **Reliability**, through longer lifetime and fewer early failures.
- **Quality**, through excellent storage characteristics and consistent performance over time.
- **Compactness**, allowing more compact design of fixtures and burning positions.

Philips MSR Gold™ FastFit

| Features | Benefits |
|--|--|
| Philips FastFit | Lamp replacement in just seconds, exchangeable with halogen lamp. |
| Very short arc | High beam intensity. |
| Compact design | Easy handling. Smaller and lighter fixtures. |
| Flexible power range | Boostable light levels. |
| Philips P3 pinch protection for ≥ 700W lamps | Enables use at higher temperatures in any burning position. Longer lifetime, fewer early failures, consistent performance over time. |
| Innovative gold plated pins | Reduces early lamp or lamp holder failures. Excellent current transfer. |
| MSR filling | Pure, white light; color point close to black body line. |



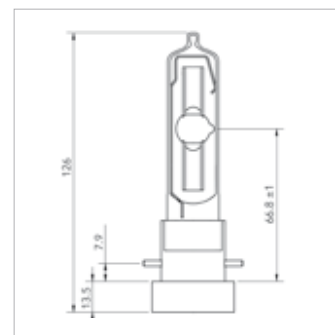
Philips MSR Gold™ FastFit



Philips MSR Gold™ FastFit



Philips MSR Gold™ 300/2 FastFit



Philips MSR Gold™ 300/2 FastFit

| Watt | A | B | C | D | E |
|------|---|----|----|-----|----|
| 700 | 4 | 65 | 25 | 111 | 41 |
| 1200 | 5 | 65 | 26 | 128 | 41 |
| 2000 | 8 | 67 | 34 | 134 | 41 |

Dimensions in mm

| Type | Nominal lamp wattage (W) | Cap/ base | Arc size mm | Min ignition voltage (V) | Lumen output (lm) | Efficacy source (lm/W) | Color temp (K) | Max allowable pinch temp (°C) | CRI | Average lamp life (h) | Replacement before (h) | Burning position | Nominal lamp current (A) | Ordering number |
|----------------------------------|--------------------------|-----------|-------------|--------------------------|-------------------|------------------------|----------------|-------------------------------|-----|-----------------------|------------------------|------------------|--------------------------|-----------------|
| Philips MSR Gold™ 300/2 FastFit | 300 | PGJX28 | 5 | 207 | 23.000 | 75 | 8000 | 350 | 75 | 750 | 850 | Any | 3.5 | 9281 771 05108 |
| Philips MSR Gold™ 700 FastFit | 700 | PGJX50 | 4 | 207 | 50.000 | 75 | 6000 | 500 | >80 | 750 | 850 | Any | 10 | 9281 060 05108 |
| Philips MSR Gold™ 700/2 FastFit | 700 | PGJX50 | 4 | 207 | 50.000 | 75 | 7500 | 500 | >80 | 750 | 850 | Any | 10 | 9281 062 05108 |
| Philips MSR Gold™ 1200 FastFit | 1200 | PGJX50 | 5 | 207 | 95.000 | 80 | 6300 | 500 | >80 | 750 | 850 | Any | 13 | 9281 750 05108 |
| Philips MSR Gold™ 2000 FastFit | 2000 | PGJX50 | 8 | 207 | 165.000 | 82 | 6000 | 500 | >85 | 750 | 850 | Any | 15 | 9281 769 05108 |
| Philips MSR Gold™ 2000/2 FastFit | 2000 | PGJX50 | 5 | 207 | 165.000 | 82 | 7500 | 500 | >85 | 750 | 850 | Any | 15 | 9281 061 05108 |



Philips P3 pinch protection technology

- **Reliability**, through longer lifetime and fewer early failures.
- **Quality**, through excellent storage characteristics and consistent performance over time.
- **Compactness**, allowing more compact design of fixtures and burning positions.