



MSD Gold™ 300/2 MiniFastFit ICT

Product family description

MSD Gold™ MiniFastFit – replacement in seconds + longer life
The specially designed lamp base of the MSD Gold™ MiniFastFit means that this lamp can be replaced in just seconds, helping to ensure non-stop entertainment. In addition, the innovative gold plated pins ensure excellent current transfer to prolong lamp and lamp holder lifetimes and thereby reduce lamp replacement costs. The lamp's compact size allows for easy handling and compact fixture designs, while the very short arc provides a high perceived brightness and high beam intensity. What's more the MSD Gold™ MiniFastFit has an extended lifetime, which further reduces lamp replacement costs.

Product Features

- Philips MiniFastFit
- Compact design
- Innovative gold plated pins
- Color temperature >8000K
- Very short arc
- Long lifetime (2000hrs)

Product Benefits

- Lamp replacement in just seconds
- Easy handling, smaller and lighter fixtures
- Reduces early lamp or lamp holder failures. Excellent current transfer
- High perceived brightness
- High beam intensity
- Less lamp replacement

Application

- Discos
- Clubs
- Display lighting

Product data	
Order code	912579 00
Full product name	MSD Gold™ 300/2 MiniFastFit ICT
Packing type	1 Carton
Pieces per pack	1
Net weight per piece	0.062 KG
Successor order code	
System Description	MiniFastFit
Cap-Base	PGJX28
Cap-Base Information	PGJX28
Operating Position	any
Main Application	Entertainment
Additional Information	-
Packing Type	ICT [1 Carton]
Packing Configuration	16
Life to 50% failures EM	2000 hr [nom]
Lamp Wattage	300W
Technical Type	300
Lamp Wattage Technical	300 W [nom]
Lamp Current	3.8 A [nom]
Ignition Supply Voltage	207 V [min]
Color Code	2
Color Rendering Index	70 Ra8 [nom]
Color Temperature	8600 K [nom]
Color Temperature Technical	8600 K [nom]
Chromaticity Coordinate X	289 - [nom]
Chromaticity Coordinate Y	307 - [nom]
Luminous Flux Lamp EM	- Lm [min] 22000 Lm [nom]
Luminous Efficacy Lamp EM	73 Lm/W [nom]
Overall Length C	126 mm [max]
Diameter D	23 mm [max]
Light Center Length L	65.8 mm [min] 66.8 mm [nom] 67.8 mm [max]
Arc Length O	5 mm [nom]
Pinch Temperature	350 C [max]
Bulb Temperature	600 C [max]

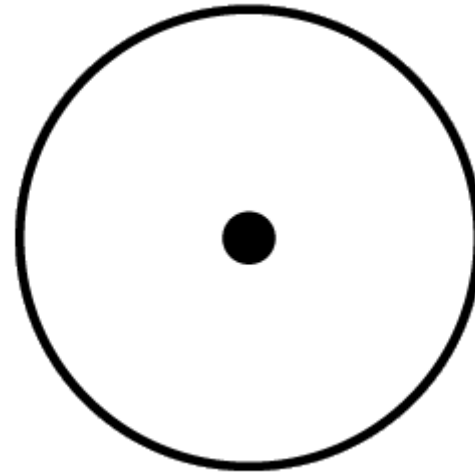
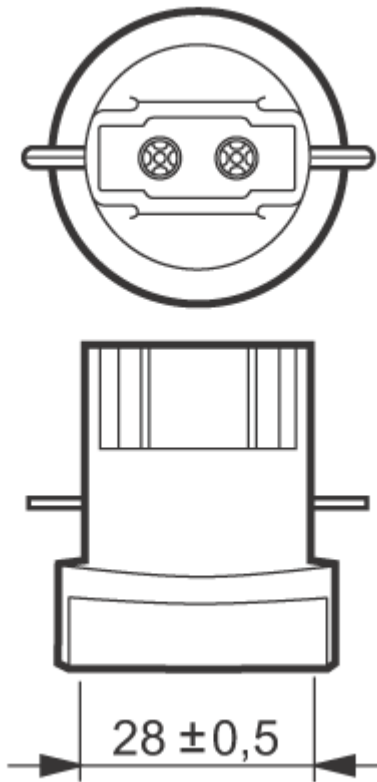


MSD Gold™ MiniFastFit

MSD Gold 300/2

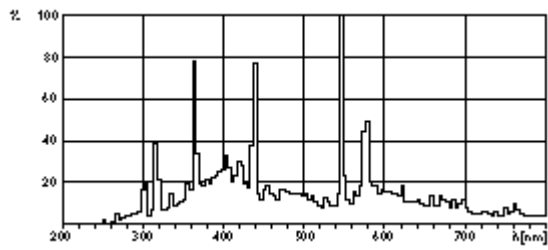
MSD Gold™ 300/2 MiniFastFit

PHILIPS

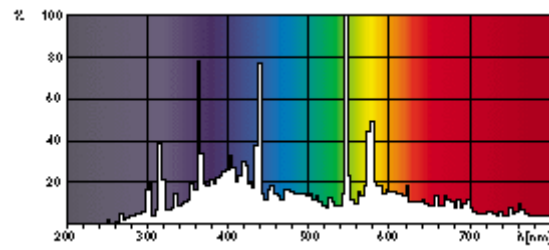


Operating Position any

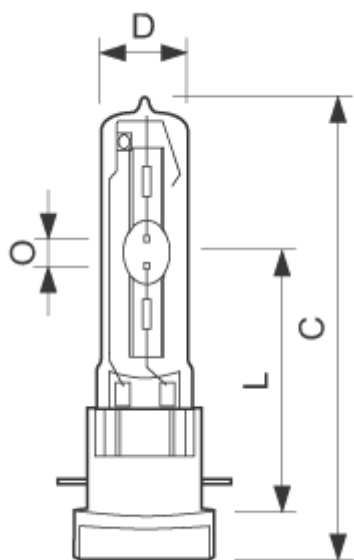
Cap-Base PGJX28



MSD Gold



MSD Gold



MSD Gold™ MiniFastFit

MSD Gold PGJX28

	C	C	D	D	L	L
Full product name	Max	Max	Max	Max	Min	Min
MSD Gold™ 300/2 MiniFastFit I CT	126	126	23	23	65.8	65.8

	L	L	L	L	O	O
Full product name	Nom	Nom	Max	Max	Nom	Nom
MSD Gold™ 300/2 MiniFastFit I CT	66.8	66.8	67.8	67.8	5	5

	O	O
Full product name	Max	Max
MSD Gold™ 300/2 MiniFastFit I CT	-	-



©2009 Koninklijke Philips Electronics N.V.

All rights reserved. Reproduction in whole or in part is prohibited without the prior written consent of the copyright owner. The information presented in this document does not form part of any quotation or contract, is believed to be accurate and reliable and may be changed without notice. No liability will be accepted by the publisher for any consequence of its use. Publication thereof does not convey nor imply any license under patent- or other industrial or intellectual property rights.

Document order number : 0000 000 00000