



SORAA LED MR16 9W

OUTPUT RANGE: VIVID SERIES	465 - 490 lumen; CRI-95, R9>90
OUTPUT RANGE: BRILLIANT SERIES	560 - 590 lumen; CRI-80
BEAM ANGLE RANGE	25°, 36°
COLOR TEMPERATURE RANGE	2700K, 3000K
APPLICATION	Halogen replacement for indoor & outdoor applications



POINT SOURCE OPTICS

Exceptional beam control with smooth uniform beams
Single light source, single crisp shadow

VP₃ VIVID COLOR AND VP₃ NATURAL WHITE

VIVID series provides accurate color rendering across the visible spectrum from 400nm to 700nm, CRI-95, R9>90

Accurate white rendering based on >70% excitation of Optical Brightening Agents with emission between 400nm & 440 nm

ENERGY EFFICIENCY AND LONG LIFE

85% more energy efficient than standard halogen lamps
Typical payback of one year or less
Rated lifetime of 35,000 hours. Three year warranty

CERTIFICATIONS

UL/CUL Class 2 and non-Class 2, FCC Title 47 Part 15B, RoHS, CE

HIGHLY COMPATIBLE

Thermally and geometrically compatible with standard fixtures

Suitable for fully enclosed fixtures per UL 1993. Can be used with front glass cover

Suitable for damp locations per UL

Works with trailing edge and leading edge phase cut dimmers, 12V AC magnetic and electronic transformers and 12V DC transformers (see www.soraa.com/resources)

INTENDED USE AND APPLICATIONS

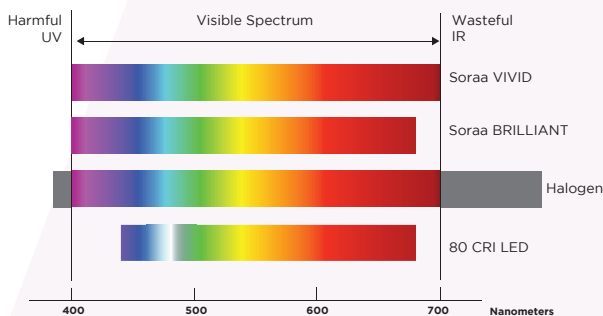
Intended for use in MR16 compatible recessed downlights, track lighting and other indoor and outdoor applications

Soraa lamps are designed to safely turn down in any thermal environment not conducive to minimum airflow or proper ventilation

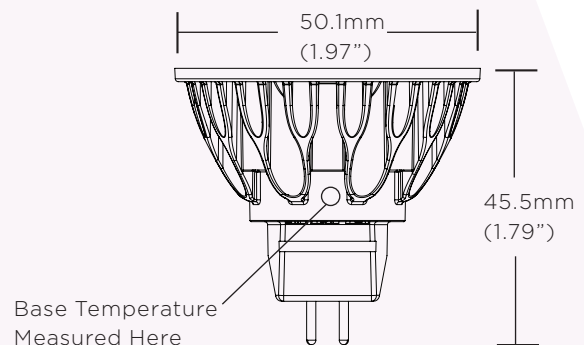
GENERAL SPECIFICATIONS

Form Factor	Operating Temperature	Electrical
Width: 50.1mm (1.97")	Minimum: -40°C (ambient)	Wattage: 9W
Height: 45.5mm (1.79")	Typical: 80°C - 90°C (base)	Power factor: 0.92
Weight: 47g	Maximum: 100°C (base)	Voltage: 12V +/- 1.2V
		Dimmable to < 20%

COLOR RENDERING



DIMENSIONS



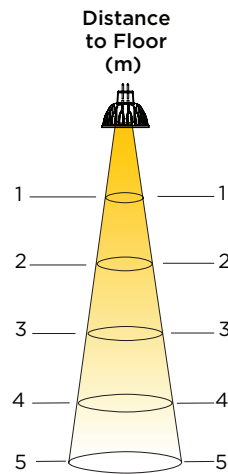
RoHS

SORAA LED MR16 9W

BEAM DIAGRAM

Narrow Flood 25°

Beam Dia at 50% Intensity (m)	Field Dia at 10% Intensity (m)	Lux (% of Intensity)
0.4	0.7	100%
0.9	1.5	25%
1.3	2.2	11%
1.8	2.9	6%
2.2	3.6	4%



Flood 36°

Beam Dia at 50% Intensity (m)	Field Dia at 10% Intensity (m)	Lux (% of Intensity)
0.6	1.1	100%
1.3	2.2	25%
1.9	3.3	11%
2.6	4.3	6%
3.2	5.4	4%

Note: Lux may be calculated by multiplying the peak Intensity of the desired model number by the percentage in the tables above

SPECIFICATIONS BY MODEL NUMBER*

Model Number	Product Code	CCT (K)	Beam Angle (°)	Field Angle (°)	Peak Intensity	Halogen Equivalent** (Watts)	Total Flux (Lm)	Efficacy (Lm/W)	90° Lumens	CRI/R9	White Point (McA)	EEI ***
SORAA VIVID SERIES												
SM16-09-25D-927-03-S3	01221	2700	25	40	2570	60	465	52	435	95/95	3	A
SM16-09-36D-927-03-S3	01229	2700	36	57	1210	60	465	52	435	95/95	3	A
SM16-09-25D-930-03-S3	01225	3000	25	40	2700	60	490	54	470	95/95	3	A
SM16-09-36D-930-03-S3	01233	3000	36	57	1280	60	490	54	470	95/95	3	A
SORAA BRILLIANT SERIES												
SM16-09-25D-827-03-S3	01219	2700	25	40	3090	75	560	62	525	80/>0	3	A
SM16-09-36D-827-03-S3	01227	2700	36	57	1460	75	560	62	525	80/>0	3	A
SM16-09-25D-830-03-S3	01223	3000	25	40	3260	75	590	66	565	80/>0	3	A
SM16-09-36D-830-03-S3	01231	3000	36	57	1540	75	590	66	565	80/>0	3	A

*Specifications are at stable warm operating conditions (25°C ambient) **Energy Star Minimum ***Energy Efficiency Index
 CCT = Correlated Color Temperature CRI = Color Rendering Index (Ra-8) White Point = White Point Accuracy in McA step

SAFETY NOTE ON HEAT

Although Soraa's lamps operate at cooler temperatures than halogen lamps, it is recommended that gloves be worn when handling bare lamps that have been energized.

Information and specifications subject to change. SM16 9W Rev 1 10.09.14
Soraa Inc. Unit 1 Chelsing House, Mead Lane, Hertford, Hertfordshire SG13 7AW, United Kingdom +44 (0)1992 535053 www.soraa.com