

# LED Precise MR16 Dimmable

7W Replacements for 50W



DATA SHEET

## Product information

GE's newest LED technology surpasses current market expectations for MR16 performance.

This new design has a flat front face to fit any downlight fitting with wire clip, with COB optic and smooth heat sink, very long lifetime of 45,000 hours L70, and high Colour Consistency within 4 steps on the Macadam ellipse, for a highly attractive aesthetic design and performance.

It is available in 2700K, 3000K, 4000K colours and 15°, 25° & 35° beam angles.

## Features & benefits

- COB design for halogen look-alike aesthetics
- 15°, 25°, 35° beam angle
- Wide light emitting surface area reduces glare
- Lamp outline closely matches Halogen MR16 lamp
- Extra-long L70 life for reduced maintenance costs
- Total lumen output up to 570 Lumens
- Compatible dimming on leading edge and trailing edge dimmers

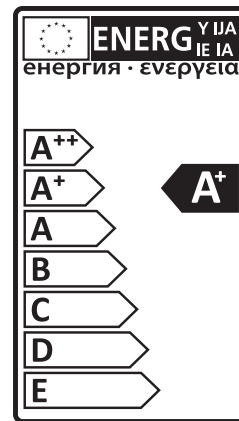
## Application areas



Retail



Hospitality



## Compliance

- EN 55015: Limits and methods of measurement of radio disturbance characteristics of electrical lighting
- EN 61547: Equipment for general lighting purposed EMC immunity requirements
- EN 61000-3-3: Limitation of voltage fluctuations and flicker in low voltage supply systems (equipment rated current  $\leq 16A$ )
- EN 61000-3-2: Limits - Limits for harmonic current emissions (equipment input current  $k \leq 16 A$  per phase)
- IEC 62471: Photo biological safety of lamps and lamp systems
- IEC 60061: Lamp Caps and holders together with gauges for the control of interchangeability and safety



GE imagination at work

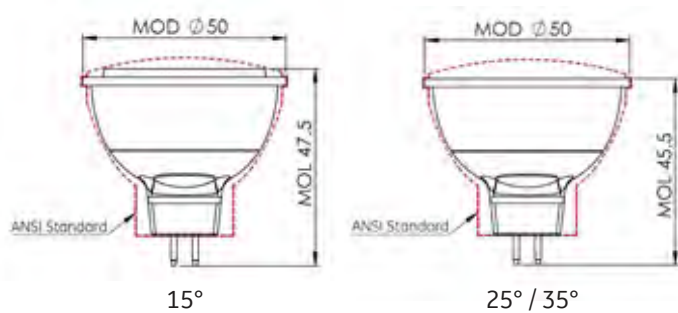
## Specification summary

Type	Rated Power [W]	Base	CCT [K]	Total Lumens	DIM2 Lumen	Rated Angle	CBCP	Life L70 (Hrs)	EEC	Energy Consumption (kwh/1000h)	Pack Qty	Code
MR16	7	GU5.3	2700	500	470	25°	2350	45000	A+	7.00	1/8	93048796
MR16	7	GU5.3	2700	500	470	35°	1350	45000	A+	7.00	1/8	93048335
MR16	7	GU5.3	3000	530	490	15°	4900	45000	A+	7.00	1/8	93048800
MR16	7	GU5.3	3000	530	490	25°	2350	45000	A+	7.00	1/8	93048799
MR16	7	GU5.3	3000	530	490	35°	1350	45000	A+	7.00	1/8	93048798
MR16	7	GU5.3	4000	570	530	35°	1450	45000	A+	7.00	1/8	93048797

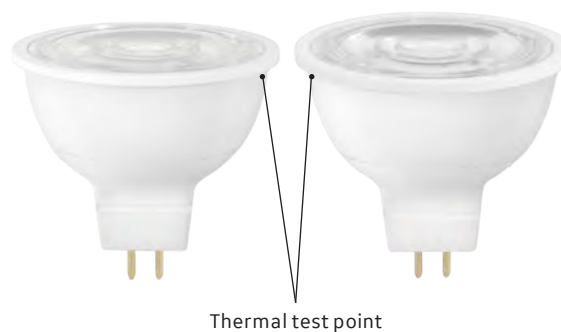
## Common attributes

- Common attributes : CRI>80
- Input voltage 12V
- Warm up time: Instant on
- Switching cycles: 90,000
- Power factor: >0.9

## Dimensions [mm]



## Recommended operation temperature



To meet B50 life claim	Temperature [°C]
Maximum T <sub>hs</sub>	89

## Operation & maintenance

- Store and use the lamps the same way as traditional lamps.
- Check your fixtures are properly wired and don't deliver voltage spike to lamps causing overheating/failure.
- Ambient temperature range -5°C to 40°C
- Lamps should be kept free from contamination.
- Good condition of the lamp-holder contacts is important to ensure proper operation of lamp.
- Ensure lamp is cool before removing.
- Switch off mains supply before installing/removing lamp.
- Not for use in totally enclosed recessed fixtures.

GE LED Precise™ MR16 7W lamps are dimmable on most leading and trailing edge dimmers, for more information on dimming and transformer compatibility please check our website [www.gelighting.com/dimming-led](http://www.gelighting.com/dimming-led).