



## **KPRO06PWR/G5.3**

6w LED, G5.3, 35000hrs



## **Product Overview**

Suitable for the most demanding of professional users, Kosnic's KPRO range offers lamps that deliver huge energy savings over halogen lamps without compromising on brightness. The lamps can quickly replace halogen products in accent and general lighting applications, and once in place rapid payback is achieved.

## Features

Save energy up to 80% compared with halogen lamp.

For use with 12Vdc constant voltage LED driver.

Can be used with most 12Vac transformers for halogen lamps.

High lumen output.

Long life of 35,000h.

Instant start.

Negligible UV output.

Mercury free.

## Safety and Maintenance

Use in totally enclosed fittings will reduce lamp life.

Switch off supply and allow cooling before handling lamp.

Do not dispose of lamp in household waste.

Dispose of in appropriate section of local civic amenity site or recycling centre.

## Specifications

	KPRO06PWR/G5.3-S30	KPRO06PWR/G5.3-S40	KPRO06PWR/G5.3-S65
<b>Fitting</b>	G5.3	G5.3	G5.3
<b>Shape / Type</b>	MR16	MR16	MR16
<b>Colour Finish</b>	Silver	Silver	Silver
<b>Optics Type</b>	Prismatic Lens	Prismatic Lens	Prismatic Lens
<b>Wattage (w)</b>	6	6	6
<b>Equivalent Wattage (w)</b>	25	28	28
<b>Useful Lumens (lm)</b>	250	270	270
<b>Total Lumens (lm)</b>	330	350	350
<b>Input Current (mA)</b>	500	500	500
<b>Input Voltage</b>	12Vac/dc	12Vac/dc	12Vac/dc
<b>CCT Temperature (k)</b>	3000	4000	6500
<b>CCT Name</b>	Warm White	Cool White	Day Light
<b>Rated Life (hrs)</b>	30000	30000	30000
<b>Nominal Lifetime (hrs)</b>	30000	30000	30000
<b>Switch Cycles</b>	50000	50000	50000
<b>Peak Candelas (cd)</b>	370	390	390
<b>Beam Angle (°)</b>	45	45	45
<b>CRI</b>	82	82	84
<b>Dimmable</b>	No	No	No
<b>Retrofit</b>	No	No	No
<b>Suitable for Accent Lighting</b>	Yes	Yes	Yes
<b>Power Factor</b>	1	1	1
<b>Start Time (s)</b>	0.1	0.1	0.1

<b>Warm-up Time (s)</b>	Instant full light	Instant full light	Instant full light
<b>Length (mm)</b>	50	50	50
<b>Width (mm)</b>	50	50	50
<b>Depth (mm)</b>	50	50	50
<b>Mercury (mg)</b>	0	0	0
<b>Clean-up instructions</b>	N/A	N/A	N/A
<b>Rated Power (W)</b>	6.0	6.0	6.0
<b>Rated Useful Luminous Flux (lm)</b>	250	270	270
<b>LMF at Lifetime</b>	0.75	0.75	0.75
<b>SDCM of CCT</b>	<6	<6	<6
<b>Ambient Temperature (°C)</b>	-20 to 40	-20 to 40	-20 to 40

## Product Markings

	KPRO06PWR/G5.3-S30	KPRO06PWR/G5.3-S40	KPRO06PWR/G5.3-S65
<b>Manufacturer</b>	Kosnic	Kosnic	Kosnic
<b>Product Code</b>	KPRO06PWR/G5.3-S30	KPRO06PWR/G5.3-S40	KPRO06PWR/G5.3-S65
<b>Volts (V)</b>	12Vac/dc	12Vac/dc	12Vac/dc
<b>Nominal Watts (W)</b>	6	6	6
<b>Current (mA)</b>	500	500	500
<b>Nominal Useful Luminous Flux (lm)</b>	250	270	270
<b>CCT (K)</b>	3000	4000	6500
<b>Beam Angle (°)</b>	45	45	45
<b>CE Mark</b>	Yes	Yes	Yes
<b>WEEE Mark</b>	Yes	Yes	Yes
<b>Batch Code</b>	Yes	Yes	Yes

Unit D2 Kennetside, Bone Lane  
Newbury, Berkshire

T: 01635 523 713 E: sales@kosnic.com W: <http://www.kosnic.com>

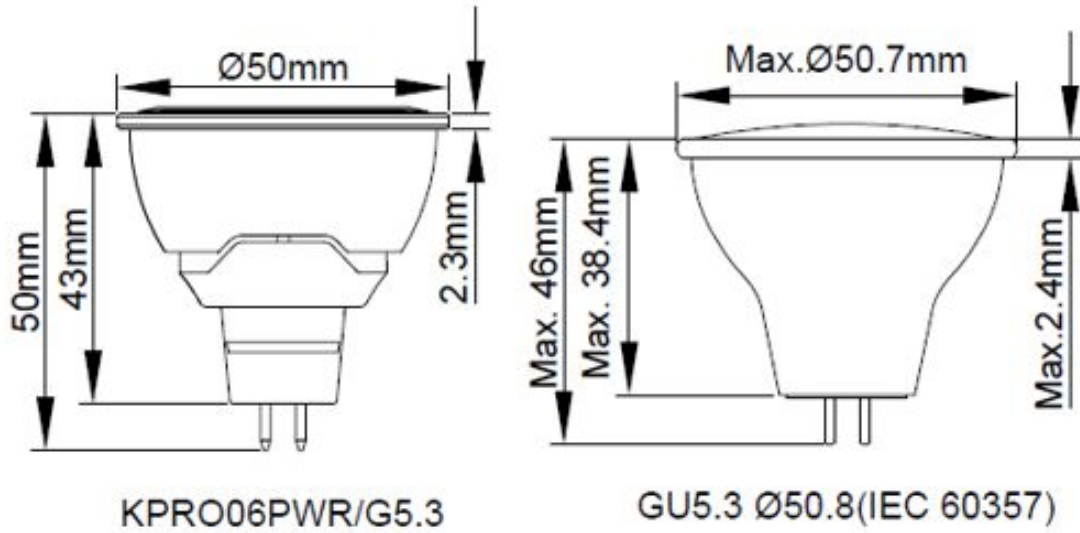
## Energy Label

	KPRO06PWR/G5.3-S30	KPRO06PWR/G5.3-S40	KPRO06PWR/G5.3-S65
<b>Manufacturer</b>	Kosnic	Kosnic	Kosnic
<b>Product Code</b>	KPRO06PWR/G5.3-S30	KPRO06PWR/G5.3-S40	KPRO06PWR/G5.3-S65
<b>Energy Class</b>	A	A	A
<b>Energy Consumption (kWh/1000h)</b>	7	7	7

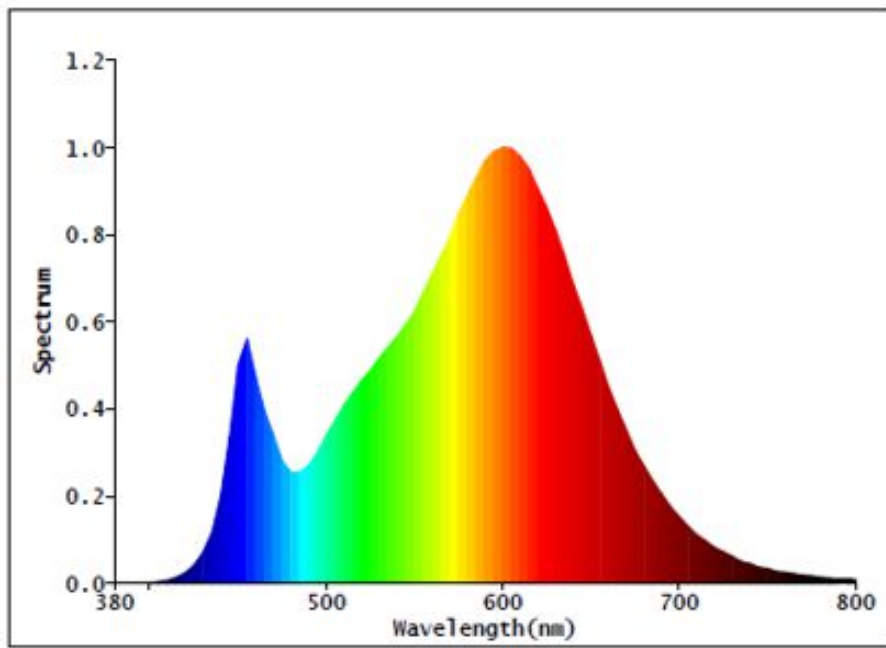
## Packaging

	KPRO06PWR/G5.3-S30	KPRO06PWR/G5.3-S40	KPRO06PWR/G5.3-S65
<b>Outer Box Length (mm)</b>	575	575	575
<b>Outer Box Width (mm)</b>	285	285	285
<b>Outer Box Height (mm)</b>	157	157	157
<b>Volume</b>	0.025728375	0.025728375	0.025728375
<b>Box Quantity</b>	100	100	100
<b>Outer Box Weight (kg)</b>	6.9	7.5	7.5

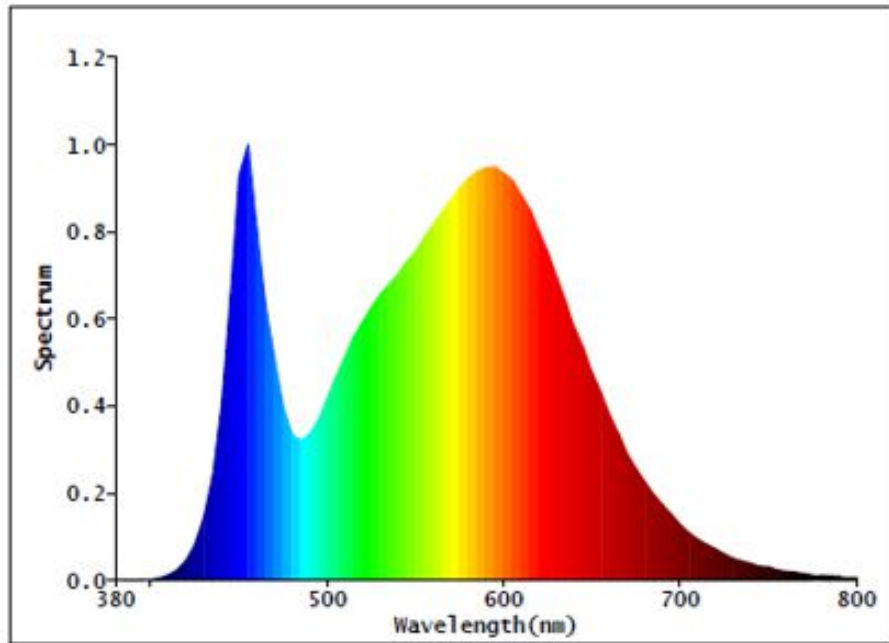
KPRO06PWR/G5.3-S30  
KPRO06PWR/G5.3-S40  
KPRO06PWR/G5.3-S65



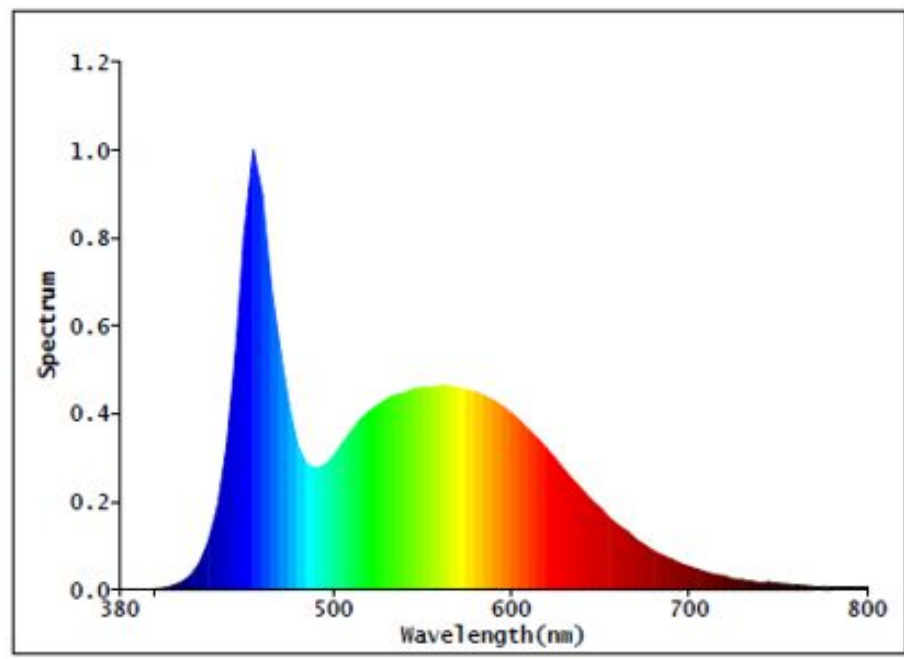
KPRO06PWR/G5.3-S30



KPRO06PWR/G5.3-S40



KPRO06PWR/G5.3-S65



# Compatibility

The lamps are primarily designed for use with 12VDC constant voltage LED drivers. However, the lamps can also be used with many 12VAC electronic transformers for halogen lamps. Test results for a limited number of transformers in laboratory conditions are listed below. The lamps were tested as 25W to 35W equivalents when loading AC transformers. It is recommended that lamps, especially greater numbers, are tested with AC transformers before committing to an installation.



# AC Transformer Compatibility

Make	Model No.	Marked Rating	Number of Lamps
AURORA	AU-150SS	50-150VA	1 to 7
AURORA	AU-210SS	50-210VA	1 to 8
AURORA	AU-60AMP	20-60VA	2 to 3
AURORA	AU-RD105	35-105VA	2 to 4
AURORA	AU-RD60E	20-60VA	1 to 3
AURORA	DAIS DA-E60	20-60VA	1 to 3
AURORA	ENLITE EN-SC60	20-60VA	1 to 3
AVENUE	AVET60MINI	60VA	2 to 3
COLLINGWOOD	GREEN60	20-60VA	1 to 3
COLLINGWOOD	SET105FS	35-105VA	1 to 4
CONTACT	CED-60	20-60VA	1 to 3
ET (IBL)	4104.00	20-60VA	1 to 3
ET (IBL)	4105.00	35-75VA	1 to 3
ET (IBL)	4106.00	35-105VA	1 to 4
HALOLITE	HA-S105TE	35-105VA	1 to 4
HALOLITE	HA-S60TA	20-60VA	1 to 3
HALOLITE	HA-SE60	20-60VA	1 to 3
HALOLITE	HA-SM60TS	20-60VA	1 to 3
JCC	JC4013	35-105VA	1 to 4
JCC	JC4030	10-60VA	1 to 3
KNIGHTSBRIDGE	T02	20-60VA	2 to 3
LL	ET105	20-105VA	1 to 4
LUXINA	ET60T-3	20-60VA	1 to 3
MAE	MA-60	10-60VA	1 to 3
OSRAM	HTM 105	35-105VA	1 to 4
OSRAM	HTM 70/230-240	20-70VA	1 to 3
PHILIPS	CERTALINE 105W	35-105VA	1 to 4
RELCO	MINIFOX 60 PFS	20-60VA	1 to 3

Unit D2 Kennetside, Bone Lane  
Newbury, Berkshire

T: 01635 523 713 E: sales@kosnic.com W: <http://www.kosnic.com>

ROBUS	LEB60D	20-60VA	1 to 3
ROBUS	RM105DN	35-105VA	1 to 4
SPEEDY	TE-0105-C101	35-105VA	1 to 4
VARILIGHT	YT105L	0-105VA	1 to 4
VARILIGHT	YT150	0-150W	1 to 6
VARILIGHT	YT250	0-250VA	1 to 10
VARILIGHT	YT50L	0-50VA	1 to 3
VARILIGHT	YT50LZ	0-50VA	1 to 3
VARILIGHT	YT70L	0-70VA	1 to 3

Datasheet generated from <http://www.electrika.com> last updated Tuesday, May 15, 2018 11:28:15 AM