

A0710510 GARDA-10WW & Pin
1x 10W Warm-White 30° COB LED

Technical specifications:

Light source: warm-white (3000K) COB LED
 Reflector: 30° Symmetric, efficiency < 90%
 Typical luminance: 638Lm
 Typical consumption: 12W (53.17Lm/W)
 Housing & Frontring: Die casting grey powdercoated aluminium
 T=75µm Adhesion of ISO class 1/ASTM class 4B
 4mm step tempered white coating glass.
 Gasket: Molding shaped silicone double seal
 Cable gland: IP-68 PG-9 copper & nickel coated
 Power cable: 2 mtr HO5RN-F 3x 1.0mm² (high voltage)
 Input Voltage: 120-240VAC
 Weight: 1.2 Kg
 Dimensions: 102 x 1180 x 481 mm
 Classification: IP-65

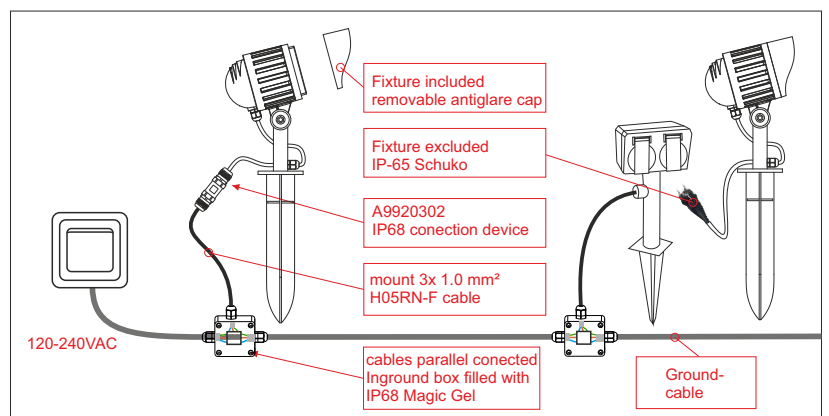
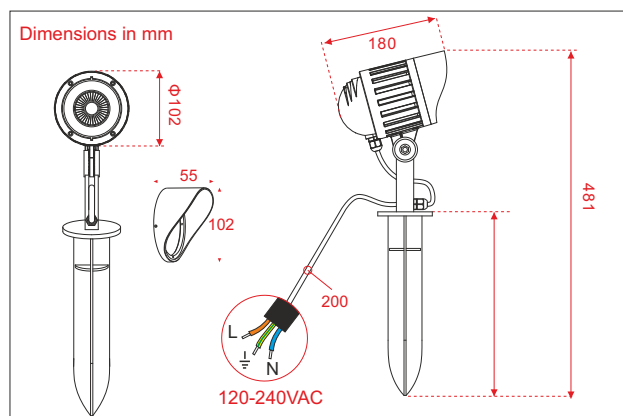
Spike: PVC

Attention: This high power LED fixture can not be installed under water

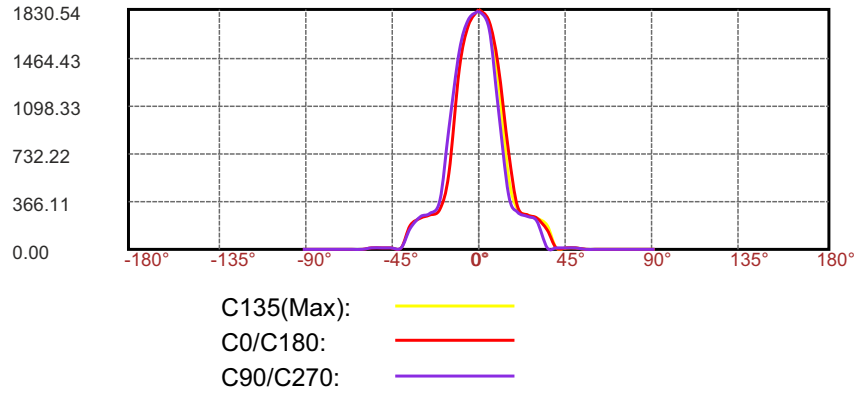
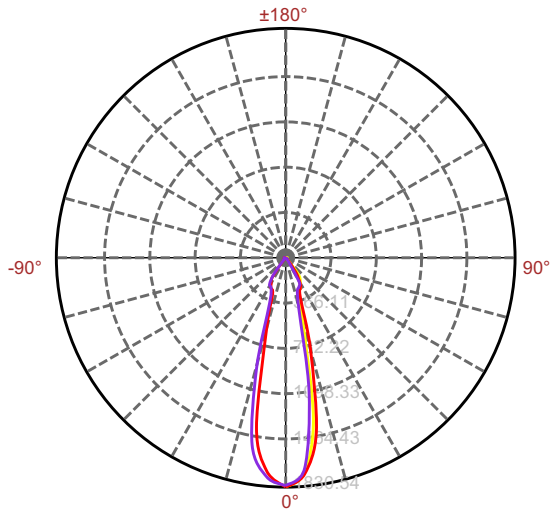


Height	Vert. Spread 26.4°	Horiz. Spread 26.8°	Beam Width V H	Center beam LUX
1m			0.45m 0.5m	1829 Lx
2m			0.9m 1.0m	457 Lx
4m			1.9m 1.9m	114 Lx
6m			2.8m 2.9m	51 Lx
8m			3.8m 3.8m	29 Lx

120V 230V DUAL				27° Symm. LED-Lens
50/60Hz	Class I	638Lm	3000K	
 1.2			 available	



Light Distribution Curve [Unit: cd]

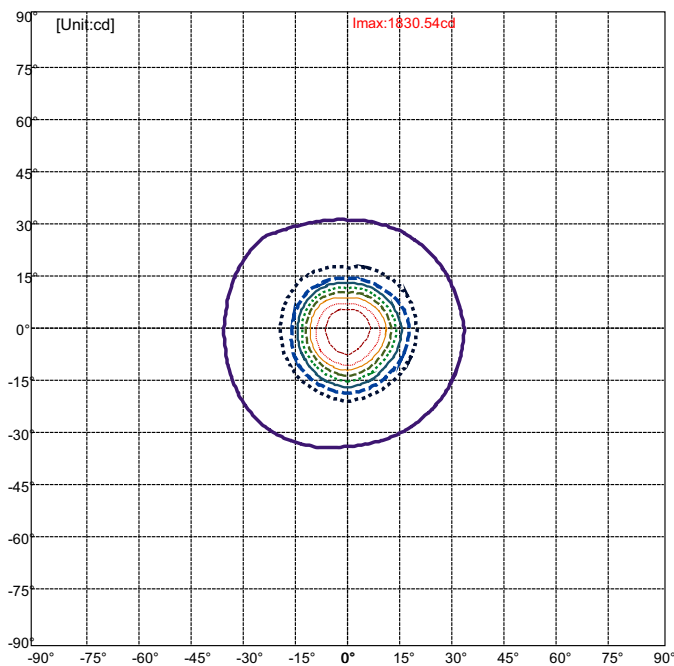


Lux distance Curve

Illuminance at a Distance			
	Center Beam LUX	Beam Width	
		V	H
2m	457.36 LUX	0.9m	1.0m
4m	114.34 LUX	1.9m	1.9m
6m	50.82 LUX	2.8m	2.9m
8m	28.58 LUX	3.8m	3.8m
10m	18.29 LUX	4.7m	4.8m
12m	12.70 LUX	5.6m	5.7m

Vert. Spread: 26.4 Horiz. Spread: 26.8

ISO-Intensity(V-H)



(10%Imax)	181.672	—
(20%Imax)	363.344	- - - - -
(30%Imax)	545.017	- - - - -
(40%Imax)	726.689	—
(50%Imax)	908.361	- - - - -
(60%Imax)	1090.03	- - - - -
(70%Imax)	1271.71	—
(80%Imax)	1453.38	- - - - -
(90%Imax)	1635.05	- - - - -

Photometric Report

A0710110 Garda-10WW & Base



LumCAT:	Luminaire: A0710110 Garda-10WW & Base
Report No:	Voltage(V): 240.300
Test No:	Current(A): 0.046
LampCAT: :	Power (W): 10.000
Lamp flux(lm): -1.0	PF: 0.890
Number of Lamps: 0	Ballast type:
Length(mm): 0	Width(mm): 0
Phm Type: C	Height(mm): 0

Photometric Results

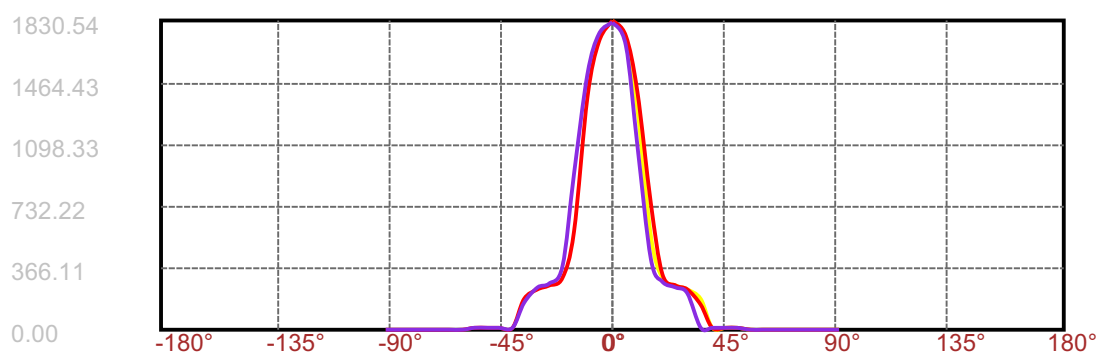
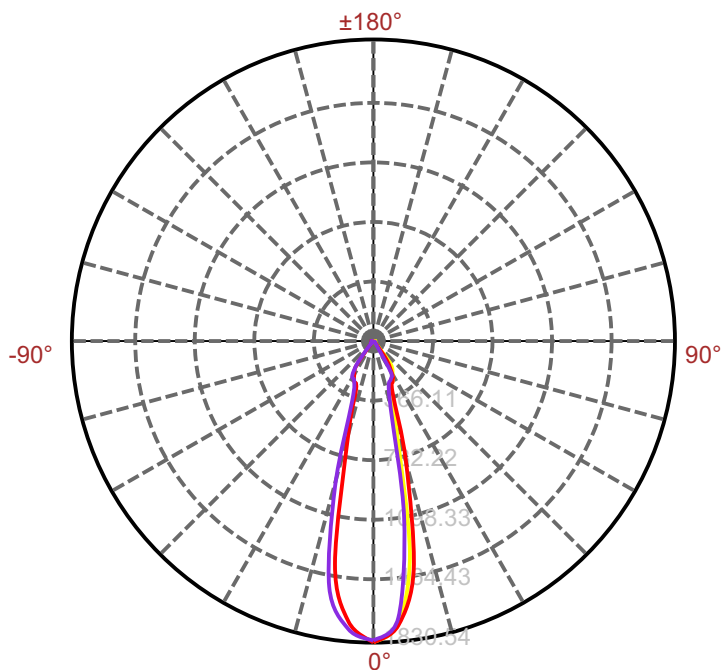
Lumens(lm): 572.39
Efficiency(%): 0.00%
Lumens(lm)/Power(W): 57.24
Central intensity(cd): 1829.423
Maximum intensity(cd): 1830.541
Angle of maximum intensity: C=135.0 γ =0.0
Beam Angle(50%Imax): [H]Left=15.1 Right=11.3
[V]Left=12.9 Right=13.8
Field angle(10%Imax): [H]Left=33.6 Right=30.8
[V]Left=35.1 Right=33.1
IES Classification : TypeI
Longitudinal Classification : VeryShort
Cut Off Classification : FullCutoff
Max Cd(At 90°Vert) : 0.1016064
Max Cd(80 to 90°Vert) : 1.930521
Street Side UpWard Lumens: - -of Lamp 0.00%of Luminaire
Street Side DownWard Lumens: - -of lamp 46.06%of Luminaire
House Side UpWard Lumens: - -of lamp 0.00%of Luminaire
House Side DownWard Lumens: - -of lamp 53.94%of Luminaire

Photometric Report

A0710110 Garda-10WW & Base

Light Distribution Curve [Unit: cd]

Page: 2 Total:5



C135(Max): —
 C0/C180: —
 C90/C270: —

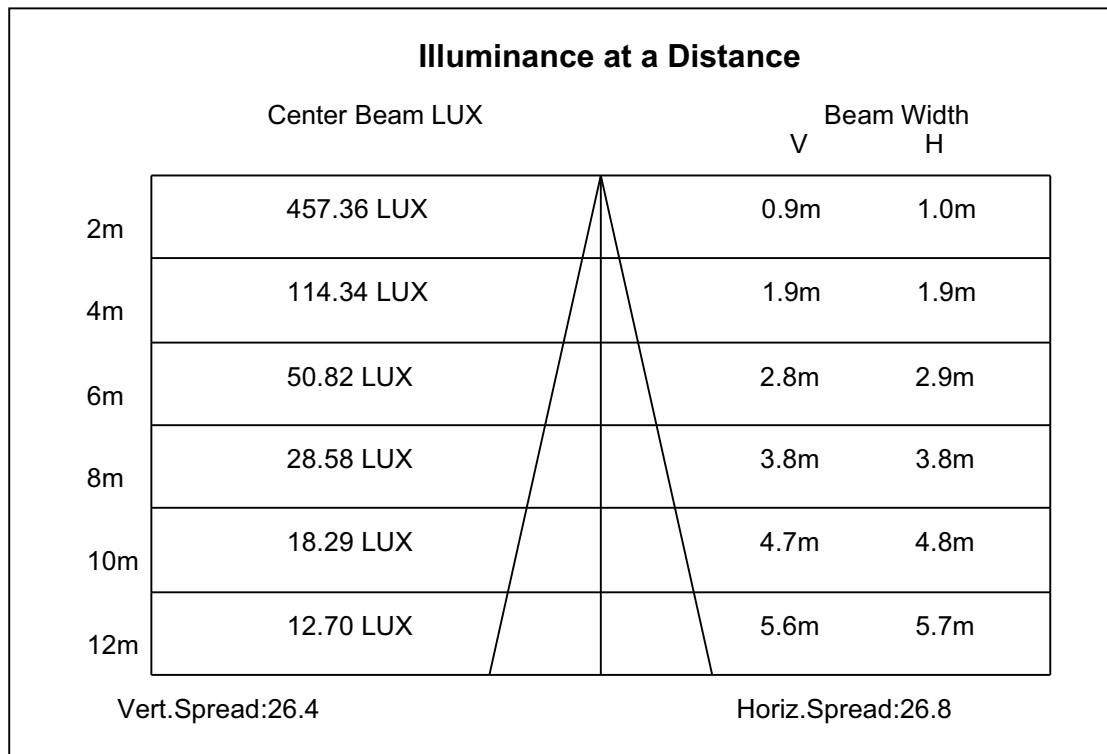
Equipment: GSM-1800
 Temperature(°C): 25.0

Date: 2013-3-27
 Humidity(%): 65.0%

Operator: Jorna
 Distance(m): 08

Photometric Report

A0710110 Garda-10WW & Base

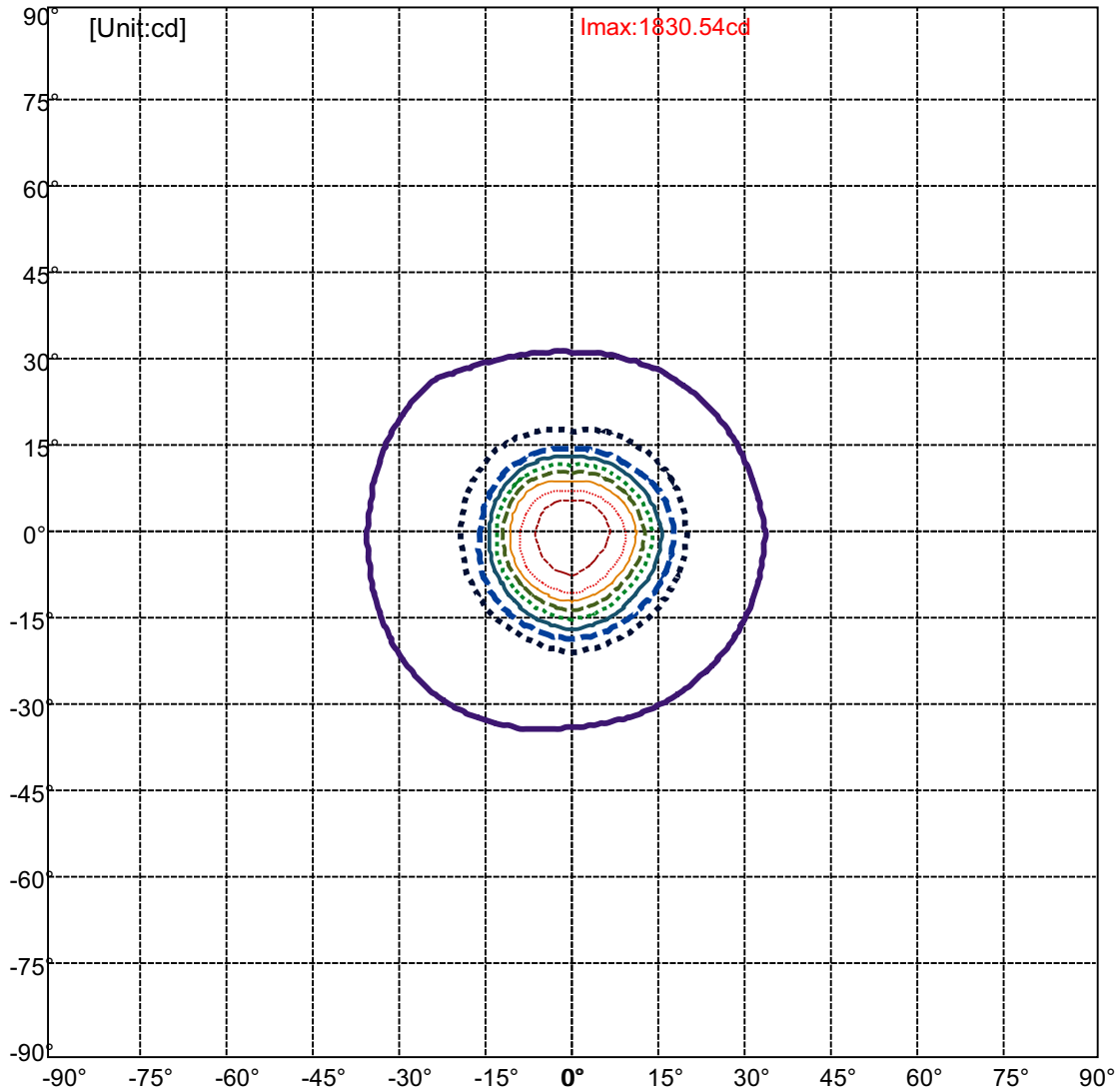


Photometric Report

A0710110 Garda-10WW & Base

ISO-Intensity(V-H)

Page: 4 Total:5



(10%Imax)	181.672	———
(20%Imax)	363.344
(30%Imax)	545.017	- - - - -
(40%Imax)	726.689	—————
(50%Imax)	908.361
(60%Imax)	1090.03	- - - - -
(70%Imax)	1271.71	—————
(80%Imax)	1453.38
(90%Imax)	1635.05	- - - - -

Equipment: GSM-1800
Temperature(°C): 25.0

Date: 2013-3-27
Humidity(%): 65.0%

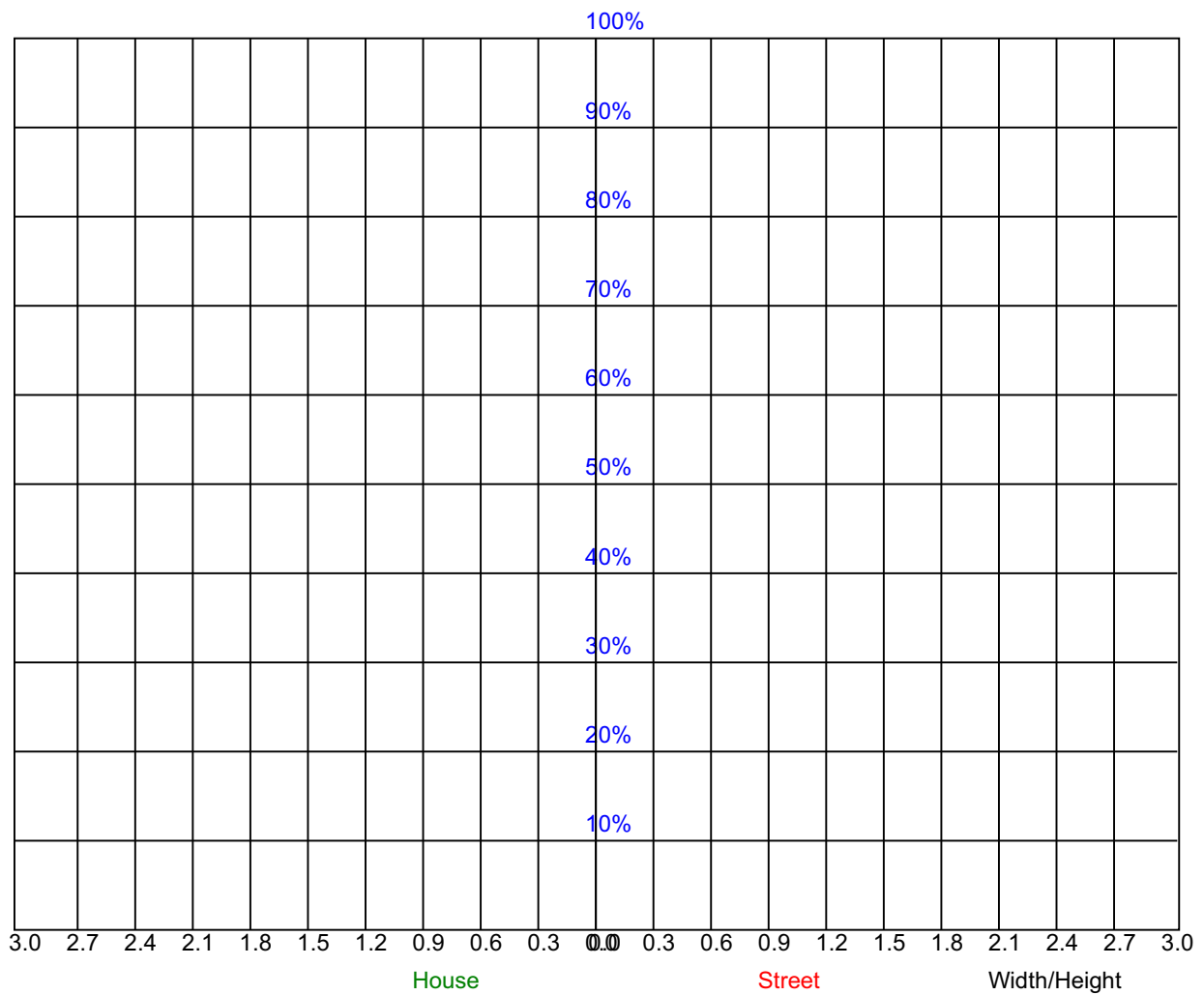
Operator: Jorna
Distance(m):08

Photometric Report

A0710110 Garda-10WW & Base

Coefficient Utilization Curve

Page: 5 Total:5



Equipment: GSM-1800
Temperature(°C): 25.0

Date: 2013-3-27
Humidity(%): 65.0%

Operator: Jorna
Distance(m): 10.08