

INTIMIDATOR

BEAM 355 IRC

User Manual

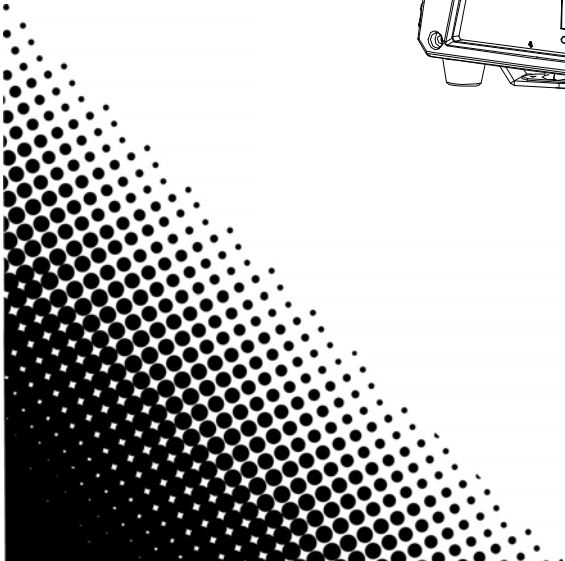
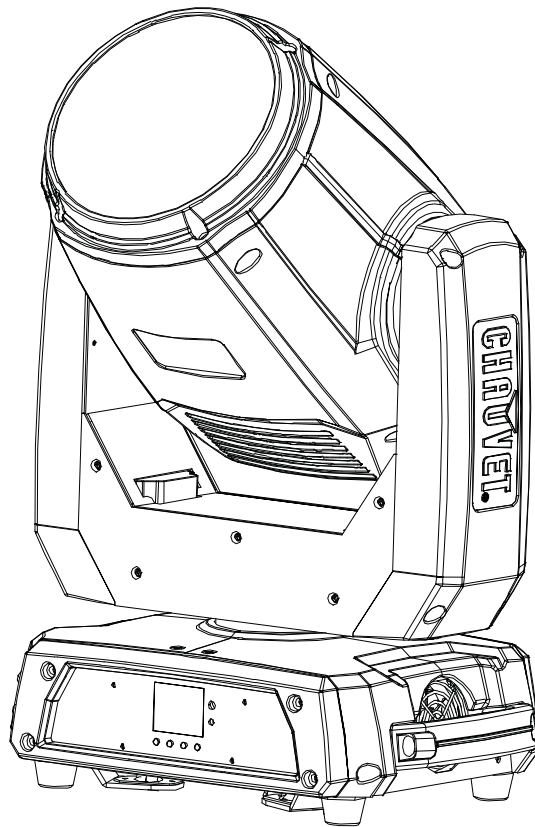


TABLE OF CONTENTS

1. Before You Begin	1
What Is Included	1
Unpacking Instructions	1
Claims	1
Text Conventions	1
Symbols	1
Disclaimer	1
Product at a Glance	2
Safety Notes.....	2
2. Introduction	3
Product Overview.....	3
Product Dimensions	3
3. Setup	4
AC Power.....	4
Fuse Replacement	4
Power Linking.....	4
Mounting	5
Orientation.....	5
Rigging.....	5
4. Operation	6
Control Panel Operation.....	6
Menu Map	6
Configuration (DMX)	7
Starting Address.....	7
DMX Personalities.....	7
Gobos.....	7
DMX Channel Assignments and Values	8
14Ch.....	8
08Ch.....	10
Configuration (Standalone).....	12
Automatic Programs.....	12
Sound-Active Mode.....	12
Sound Sensitivity.....	12
Manual Mode.....	12
Configuration (Settings)	13
Pan Reverse.....	13
Tilt Reverse	13
Screen Reverse.....	13
Pan Angle.....	13
Tilt Angle	13
Totem Mode	14
Reset.....	14
Factory Reset.....	14
System Information	14
IRC-6 Infrared Remote Control	15
IRC-6 Operation	15
Master/Slave Mode	16
Zero Adjust Mode.....	16
5. Maintenance	17
Product Maintenance	17
6. Technical Specifications	18
Returns	19
Contact Us	20

1. BEFORE YOU BEGIN

What Is Included

- Intimidator Beam 355 IRC
- Power Cord
- Hanging Bracket
- Warranty Card
- Quick Reference Guide

Unpacking Instructions

Carefully unpack the product immediately and check the container to make sure all the parts are in the package and are in good condition.

Claims





If the box or the contents (the product and included accessories) appear damaged from shipping, or show signs of mishandling, notify the carrier immediately, not Chauvet. Failure to report damage to the carrier immediately may invalidate your claim. In addition, keep the box and contents for inspection.

For other issues, such as missing components or parts, damage not related to shipping, or concealed damage, file a claim with Chauvet within 7 days of delivery.

Text Conventions

Convention	Meaning
1–512	A range of values
50/60	A set of values of which only one can be chosen
Settings	A menu option not to be modified
<ENTER>	A key to be pressed on the product's control panel
ON	A value to be entered or selected

Symbols

Symbol	Meaning
	Electrical warning. Not following these instructions may cause electrical damage to the product, accessories, or the user.
	Critical installation, configuration, or operation information. Not following these instructions may make the product not work, cause damage to the product, or cause harm to the operator.
	Important installation or configuration information. The product may not function correctly if this information is not used.
	Useful information.

Disclaimer

Chauvet believes that the information contained in this manual is accurate in all respects. However, Chauvet assumes no responsibility and specifically disclaims any and all liability to any party for any loss, damage or disruption caused by any errors or omissions in this document, whether such errors or omissions result from negligence, accident or any other cause. Chauvet reserves the right to revise the content of this document without any obligation to notify any person or company of such revision, however, Chauvet has no obligation to make, and does not commit to make, any such revisions. Download the latest version from www.chauvetdj.com.

The works of authorship contained in this manual, including, but not limited to, all design, text and images are owned by Chauvet.

© Copyright 2018 Chauvet & Sons, LLC. All rights reserved.

Electronically published by Chauvet in the United States of America.

CHAUVET, the Chauvet logo, and Intimidator Beam 355 IRC are registered trademarks or trademarks of Chauvet & Sons LLC (d/b/a Chauvet and Chauvet Lighting) in the United States and other countries. Other company and product names and logos referred to herein may be trademarks of their respective companies.

Product at a Glance

Use on Dimmer		Auto Programs	
Outdoor Use		Auto-ranging Power Supply	
Sound-Active		Replaceable Fuse	
DMX		User-Serviceable	
Master/Slave			

Safety Notes



- ONLY connect this product to a grounded and protected circuit.
- DISCONNECT from power before cleaning or replacing the fuse.
- DO NOT look at the light source when the product is on.
- Make sure the power cord is not crimped or damaged.
- Never disconnect this product from power by pulling on the cord.
- When mounting this product overhead, ALWAYS use a safety cable.
- DO NOT allow flammable materials close to the product when it is operating.
- DO NOT touch the product's housing when it is on because it will be hot.



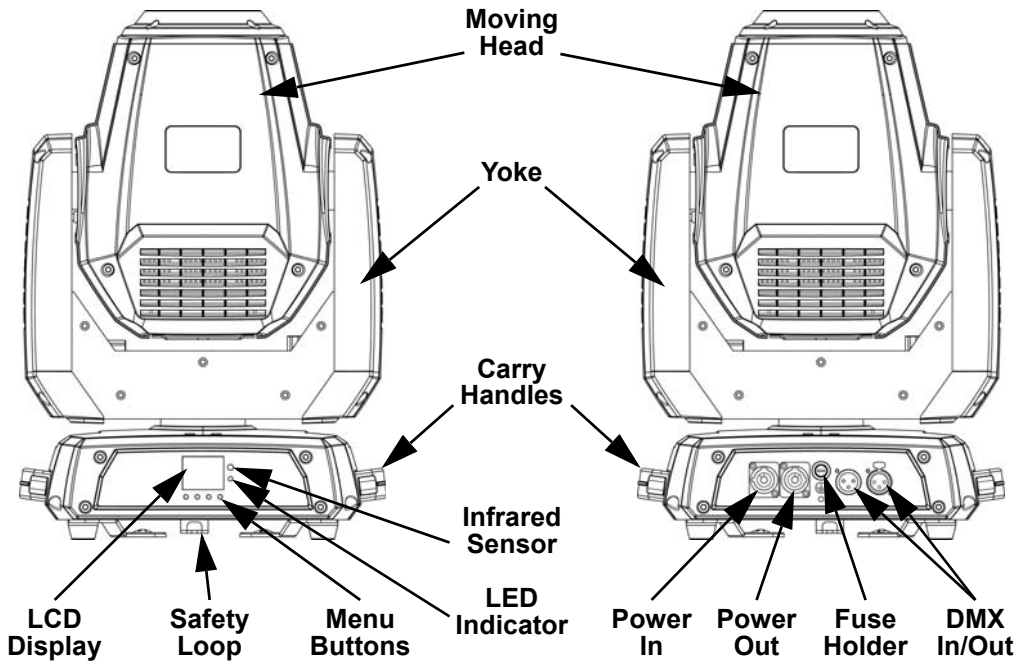
- The voltage of the outlet to which you are connecting this product must be within the range stated on the decal or rear panel of the product.
- This product is for indoor use only! (IP20) To prevent risk of fire or shock, do not expose this product to rain or moisture.
- Always mount this product in a location with adequate ventilation, at least 20 in (50 cm) from adjacent surfaces.
- Be sure that no ventilation slots on the unit's housing are blocked.
- Never connect this product to a dimmer or rheostat.
- Replace the fuse with the same type and rating.
- Never carry the product by the power cord. Use only the handle to carry this product.
- The maximum ambient temperature is 104 °F (40 °C). Do not operate this product at higher temperatures.
- In the event of a serious operating problem, stop using immediately.
- DO NOT open this product. It contains no user-serviceable parts.
- To eliminate unnecessary wear and improve its lifespan, during periods of non-use completely disconnect the product from power via breaker or by unplugging it.



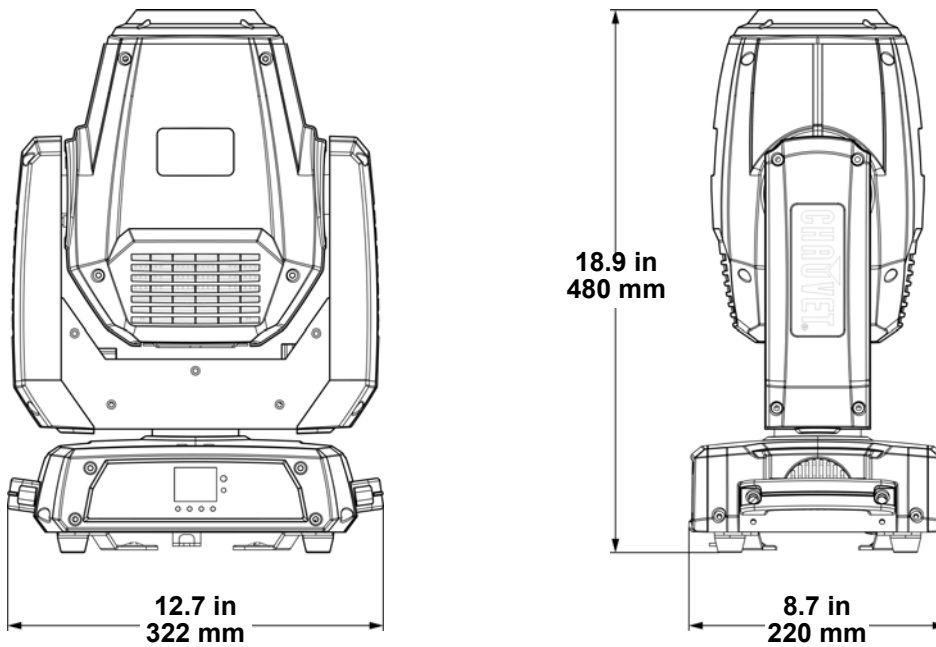
Keep this User Manual for future use. If you sell the product to someone else, be sure that they also receive this document.

2. INTRODUCTION

Product Overview



Product Dimensions



3. SETUP

AC Power

The Intimidator Beam 355 IRC has an auto-ranging power supply and it can work with an input voltage range of 100 to 240 VAC, 50/60 Hz. To determine the product's power requirements (circuit breaker, power outlet, and wiring), use the current value listed on the label affixed to the product's back panel, or refer to the product's specifications chart. The listed current rating indicates the product's average current draw under normal conditions.



- **Always connect the product to a protected circuit (a circuit breaker or fuse). Make sure the product has an appropriate electrical ground to avoid the risk of electrocution or fire.**
- **To eliminate unnecessary wear and improve its lifespan, during periods of non-use completely disconnect the product from power via breaker or by unplugging it.**



Never connect the product to a rheostat (variable resistor) or dimmer circuit, even if the rheostat or dimmer channel serves only as a 0 to 100% switch.

Fuse Replacement

1. Disconnect the product from power.
2. Using a flat-head screwdriver, unscrew the fuse holder cap from the housing.
3. Remove the blown fuse.
4. Replace with a fuse of the same type and rating.
5. Screw the fuse holder cap back in place and reconnect power.

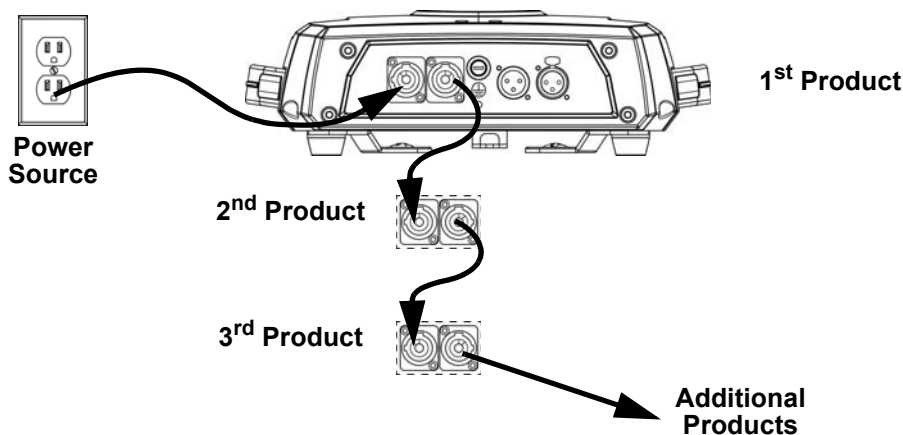


Disconnect the product from the power outlet before replacing the fuse.

Power Linking

The product provides power linking via the Edison outlet located in the back of the product. Please see the diagram below for further explanation.

Power Linking Diagram



You can power link up to 5 Intimidator Beam 355 IRC products on 120 VAC or up to 9 Intimidator Beam 355 IRC products on 230 VAC.

Mounting

Before mounting the product, read and follow the safety recommendations indicated in the [Safety Notes](#).

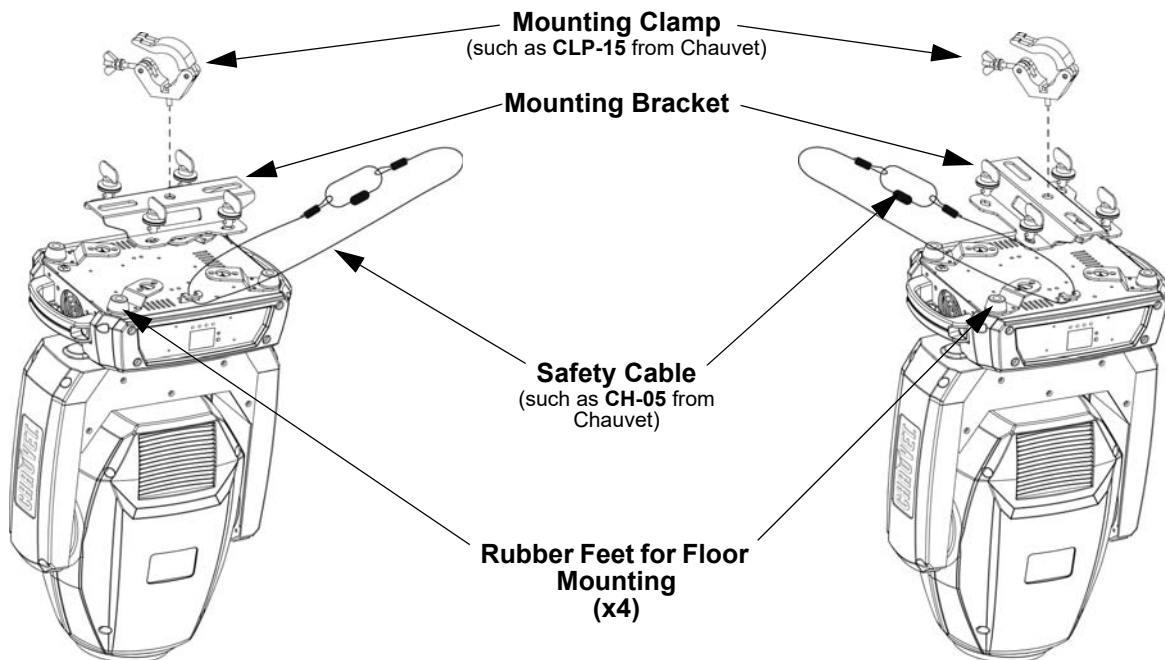
Orientation

The Intimidator Beam 355 IRC may be mounted in any position; however, make sure adequate ventilation is provided around the product.

Rigging

- Before deciding on a location, always make sure there is easy access to the product for maintenance and programming purposes.
- Make sure adequate ventilation is provided around the product.
- Make sure that the structure or surface onto which you are mounting the product can support the product's weight. (see the [Technical Specifications](#))
- When mounting the product overhead, always use a safety cable. Mount the product securely to a rigging point, whether an elevated platform or a truss.
- When rigging the product onto a truss, use a mounting clamp of appropriate weight capacity.
- When power linking multiple products, mount the products close enough for power linking cables to reach.
- The bracket adjustment knobs allow for directional adjustment when aiming the product to the desired angle. Only loosen or tighten the bracket knobs manually. Using tools could damage the knobs.
- The rubber feet also serve as floor supports. When mounting the product on the floor, make sure that the product and cables are away from people and vehicles.

Mounting Diagram



When using only one mounting clamp with this fixture, you must use a clamp with a captive bolt to prevent accidental loosening.

4. OPERATION

Control Panel Operation

To access the control panel functions, use the four buttons located underneath the display. Please refer to the [Product Overview](#) to see the button locations on the control panel.

BUTTON	FUNCTION
<MENU>	Press to find an operation mode or to back out of the current menu option
<UP>	Press to scroll up the list of options or to find a higher value
<DOWN>	Press to scroll down the list of options or to find a lower value
<ENTER>	Press to activate a menu option or a selected value

Menu Map

MAIN LEVEL	PROGRAMMING LEVELS		DESCRIPTION	
Address	001–512		Sets the DMX starting address	
Run Mode	DMX	14CH	Selects DMX mode	
		08CH		
	Slave	Slave1–4		Selects Slave mode 1, 2, 3, or 4
		Auto		Selects Auto mode
		Sound		Selects Sound mode
	Manual	IR		Selects infrared control
		000–255	Pan	0–540°
			Tilt	0–270°
			Color	Selects color options
			Gobo	Selects gobo options
Prism/Frost			Selects prism and rotation effect	
Dimmer			Sets dimmer value	
Shutter			Sets shutter value and strobe effect	
Setup	Pan Reverse		OFF Normal pan operation	
			ON Reverse pan operation	
	Tilt Reverse		OFF Normal tilt operation	
			ON Reverse tilt operation	
	Screen Reverse		OFF Normal display	
			ON Reverse display	
	Pan Angle		540 Selects the 540° pan angle range	
			360 Selects the 360° pan angle range	
			180 Selects the 180° pan angle range	
	Tilt Angle		270 Selects the 270° tilt angle range	
			180 Selects the 180° tilt angle range	
			90 Selects the 90° tilt angle range	
	Totem Mode		OFF Totem mode off	
		UP Selects upward pan and tilt range		
		DOWN Selects downward pan and tilt range		
Sensitivity		001–100 Sets sound sensitivity		
Reset			Resets the product	
Factory Set			Loads factory defaults	
Sys Info	Ver:	V_	Displays the software version	
	Running Mode	-----	Displays the current running mode	
	DMX Address	---	Displays the current DMX address	
	Temperature	---	Displays current temperature in °C	

Configuration (DMX)

The Intimidator Beam 355 IRC works with a DMX controller. Information about DMX is in the CHAUVET DMX Primer, which is available from the Chauvet website http://www.chauvetlighting.com/downloads/DMX_Primer_rev05_WO.pdf.

Starting Address

When selecting a starting DMX address, always consider the number of DMX channels the selected DMX mode uses. If you choose a starting address that is too high, you could restrict the access to some of the product's channels.

The Intimidator Beam 355 IRC uses up to 14 DMX channels, which defines the highest configurable address to **499**.

If you are not familiar with the DMX protocol, download the DMX Primer from www.chauvetdj.com.

To select the starting address, do the following:

1. Press **<MENU>**.
2. Use **<UP>** or **<DOWN>** to select **Address**.
3. Press **<ENTER>**.
4. Use **<UP>** or **<DOWN>** to select the starting address, from **001–512**.
5. Press **<ENTER>**.

DMX Personalities

The Intimidator Beam 355 IRC has two DMX personalities, a 14-channel personality, and a 8-channel personality.

To choose which DMX personality to use, follow the steps below:

1. Press **<MENU>**.
2. Use **<UP>** or **<DOWN>** to select **Run Mode**.
3. Press **<ENTER>**.
4. Use **<UP>** or **<DOWN>** to select **DMX**.
5. Press **<ENTER>**.
6. Use **<UP>** or **<DOWN>** to select the DMX personality, from **14CH** or **08CH**.
7. Press **<ENTER>**.

Gobos



0~7



8~15



16~23



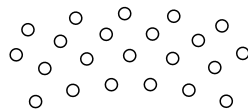
24~31



32~39



40~47



48~63

DMX Channel Assignments and Values
14Ch

CHANNEL	FUNCTION	VALUE	PERCENT/SETTING
1	Pan	000 ⇔ 255	0–540°
2	Fine Pan	000 ⇔ 255	Fine control of panning
3	Tilt	000 ⇔ 255	0–270°
4	Fine Tilt	000 ⇔ 255	Fine control of tilting
5	Pan/Tilt Speed	000 ⇔ 255	Pan/Tilt speed, fast to slow
6	Color Wheel	000 ⇔ 006	White
		007 ⇔ 013	Yellow
		014 ⇔ 020	Pink
		021 ⇔ 027	Green
		028 ⇔ 034	Red
		035 ⇔ 041	Light Blue
		042 ⇔ 048	Kelly Green
		049 ⇔ 055	Orange Red
		056 ⇔ 063	Dark Blue
		064 ⇔ 070	White + Yellow
		071 ⇔ 077	Yellow + Pink
		078 ⇔ 084	Pink + Green
		085 ⇔ 091	Green + Red
		092 ⇔ 098	Red + Light Blue
		099 ⇔ 105	Light Blue + Kelly Green
		106 ⇔ 112	Kelly Green + Orange Red
		113 ⇔ 119	Orange red + Dark Blue
		120 ⇔ 127	Dark Blue + White
128 ⇔ 191	Color cycling rainbow with increasing speed		
192 ⇔ 255	Reverse color cycling rainbow with increasing speed		
7	Gobo Wheel	000 ⇔ 007	Open
		008 ⇔ 015	Gobo 1
		016 ⇔ 023	Gobo 2
		024 ⇔ 031	Gobo 3
		032 ⇔ 039	Gobo 4
		040 ⇔ 047	Gobo 5
		048 ⇔ 063	Gobo 6
		064 ⇔ 079	Gobo 6 shake, from slow to fast
		080 ⇔ 087	Gobo 5 shake, from slow to fast
		088 ⇔ 095	Gobo 4 shake, from slow to fast
		096 ⇔ 103	Gobo 3 shake, from slow to fast
		104 ⇔ 111	Gobo 2 shake, from slow to fast
		112 ⇔ 119	Gobo 1 shake, from slow to fast
		120 ⇔ 127	Open
		128 ⇔ 191	Cycle effect with increasing speed
192 ⇔ 255	Reverse cycling effect with increasing speed		
8	No function	000 ⇔ 255	No function

CHANNEL	FUNCTION	VALUE	PERCENT/SETTING
9	Prism/Frost	000 ⇔ 007	No function
		008 ⇔ 012	Prism on
		013 ⇔ 130	Prism rotation with increasing speed
		131 ⇔ 247	Reverse prism rotation with increasing speed
		248 ⇔ 255	Frost effect
10	No function	000 ⇔ 255	No function
11	Dimmer	000 ⇔ 255	0-100%
12	Shutter	000 ⇔ 003	Closed
		004 ⇔ 007	Open
		008 ⇔ 076	Strobe effect with increasing speed
		077 ⇔ 145	Pulse strobe
		146 ⇔ 215	Random shutter
		216 ⇔ 255	Open
13	Control Function	000 ⇔ 007	No function
		008 ⇔ 015	Blackout while pan/tilt moving
		016 ⇔ 023	Blackout while moving color wheel
		024 ⇔ 031	Blackout while moving gobo wheel
		032 ⇔ 039	Blackout while pan/tilt/moving color wheel
		040 ⇔ 047	Blackout while pan/tilt/moving gobo wheel
		048 ⇔ 055	Blackout while pan/tilt/moving color wheel/moving gobo wheel
		056 ⇔ 087	No function
		088 ⇔ 095	No function
		096 ⇔ 103	Reset pan
		104 ⇔ 111	Reset tilt
		112 ⇔ 119	Reset color wheel
		120 ⇔ 127	Reset gobo wheel
		128 ⇔ 135	Reset Frost
		136 ⇔ 143	Reset prism
		144 ⇔ 151	No function
152 ⇔ 159	All reset		
160 ⇔ 255	No function		

CHANNEL	FUNCTION	VALUE	PERCENT/SETTING
14	All Programs	000 ⇔ 007	No function
		008 ⇔ 023	Auto program 1
		024 ⇔ 039	Auto program 2
		040 ⇔ 055	Auto program 3
		056 ⇔ 071	Auto program 4
		072 ⇔ 087	Auto program 5
		088 ⇔ 103	Auto program 6
		104 ⇔ 119	Auto program 7
		120 ⇔ 135	Auto program 8
		136 ⇔ 151	Sound-controlled program 1
		152 ⇔ 167	Sound-controlled program 2
		168 ⇔ 183	Sound-controlled program 3
		184 ⇔ 199	Sound-controlled program 4
		200 ⇔ 215	Sound-controlled program 5
		216 ⇔ 231	Sound-controlled program 6
		232 ⇔ 247	Sound-controlled program 7
		248 ⇔ 255	Sound-controlled program 8

08Ch

CHANNEL	FUNCTION	VALUE	PERCENT/SETTING
1	Pan	000 ⇔ 255	0–540°
2	Tilt	000 ⇔ 255	0–270°
3	Color Wheel	000 ⇔ 006	White
		007 ⇔ 013	Yellow
		014 ⇔ 020	Pink
		021 ⇔ 027	Green
		028 ⇔ 034	Red
		035 ⇔ 041	Light Blue
		042 ⇔ 048	Kelly Green
		049 ⇔ 055	Orange Red
		056 ⇔ 063	Dark Blue
		064 ⇔ 070	White + Yellow
		071 ⇔ 077	Yellow + Pink
		078 ⇔ 084	Pink + Green
		085 ⇔ 091	Green + Red
		092 ⇔ 098	Red + Light Blue
		099 ⇔ 105	Light Blue + Kelly Green
		106 ⇔ 112	Kelly Green + Orange Red
		113 ⇔ 119	Orange red + Dark Blue
120 ⇔ 127	Dark Blue + White		
128 ⇔ 191	Color cycling rainbow with increasing speed		
192 ⇔ 255	Reverse color cycling rainbow with increasing speed		

CHANNEL	FUNCTION	VALUE	PERCENT/SETTING
4	Gobo Wheel	000 ⇔ 007	Open
		008 ⇔ 015	Gobo 1
		016 ⇔ 023	Gobo 2
		024 ⇔ 031	Gobo 3
		032 ⇔ 039	Gobo 4
		040 ⇔ 047	Gobo 5
		048 ⇔ 063	Gobo 6
		064 ⇔ 079	Gobo 6 shake, from slow to fast
		080 ⇔ 087	Gobo 5 shake, from slow to fast
		088 ⇔ 095	Gobo 4 shake, from slow to fast
		096 ⇔ 103	Gobo 3 shake, from slow to fast
		104 ⇔ 111	Gobo 2 shake, from slow to fast
		112 ⇔ 119	Gobo 1 shake, from slow to fast
		120 ⇔ 127	Open
		128 ⇔ 191	Cycle effect with increasing speed
192 ⇔ 255	Reverse cycling effect with increasing speed		
5	No function	000 ⇔ 255	No function
6	Prism/Frost	000 ⇔ 007	No function
		008 ⇔ 012	Prism on
		013 ⇔ 130	Prism rotation with increasing speed
		131 ⇔ 247	Reverse prism rotation with increasing speed
		248 ⇔ 255	Frost effect
7	No function	000 ⇔ 255	No function
8	Shutter	000 ⇔ 003	Closed
		004 ⇔ 007	Open
		008 ⇔ 076	Strobe effect with increasing speed
		077 ⇔ 145	Pulse strobe
		146 ⇔ 215	Random shutter
		216 ⇔ 255	Open

Configuration (Standalone)

Set the product in one of the standalone modes to control without a DMX controller.



Never connect a product that is operating in any standalone mode to a DMX string connected to a DMX controller. Products in standalone mode may transmit DMX signals that could interfere with the DMX signals from the controller.

Automatic Programs

To run the Intimidator Beam 355 IRC in automatic mode, follow the instructions below:

1. Press **<MENU>**.
2. Use **<UP>** or **<DOWN>** to select **Run Mode**.
3. Press **<ENTER>**.
4. Use **<UP>** or **<DOWN>** to select **Auto**.
5. Press **<ENTER>**.

Sound-Active Mode

To run the Intimidator Beam 355 IRC in sound-active mode, do the following:

1. Press **<MENU>**.
2. Use **<UP>** or **<DOWN>** to select **Run Mode**.
3. Press **<ENTER>**.
4. Use **<UP>** or **<DOWN>** to select **Sound**.
5. Press **<ENTER>**.

Sound Sensitivity

To change the sound sensitivity on the Intimidator Beam 355 IRC, follow the instructions below:

1. Press **<MENU>**.
2. Use **<UP>** or **<DOWN>** to select **Setup**.
3. Press **<ENTER>**.
4. Use **<UP>** or **<DOWN>** to select **Sensitivity**.
5. Press **<ENTER>**.
6. Use **<UP>** or **<DOWN>** to increase or decrease the sound sensitivity, from **001–100**.
7. Press **<ENTER>**.



The product will only respond to low frequencies of music (bass and drums).

Manual Mode

To operate the Intimidator Beam 355 IRC manually through the menu, do the following:

1. Press **<MENU>**.
2. Use **<UP>** or **<DOWN>** to select **Run Mode**.
3. Press **<ENTER>**.
4. Use **<UP>** or **<DOWN>** to select **Manual**.
5. Press **<ENTER>**.
6. Use **<UP>** or **<DOWN>** to select from **Pan, Tilt, Color, Gobo, Prism/Frost, Dimmer, or Shutter**.
7. Press **<ENTER>**.
8. Use **<UP>** or **<DOWN>** to increase or decrease the value of the function, from **000–255**.
9. Press **<ENTER>**.
10. Repeat steps 6-9 until the product is set as desired.

Configuration (Settings)

Pan Reverse

To set the pan orientation on the Intimidator Beam 355 IRC, follow the instructions below:

1. Press **<MENU>**.
2. Use **<UP>** or **<DOWN>** to select **Setup**.
3. Press **<ENTER>**.
4. Use **<UP>** or **<DOWN>** to select **Pan Reverse**.
5. Press **<ENTER>**.
6. Use **<UP>** or **<DOWN>** to select **OFF** (normal pan orientation) or **ON** (reverse pan orientation).
7. Press **<ENTER>**.

Tilt Reverse

To set the tilt orientation on the Intimidator Beam 355 IRC, do the following:

1. Press **<MENU>**.
2. Use **<UP>** or **<DOWN>** to select **Setup**.
3. Press **<ENTER>**.
4. Use **<UP>** or **<DOWN>** to select **Tilt Reverse**.
5. Press **<ENTER>**.
6. Use **<UP>** or **<DOWN>** to select **OFF** (normal tilt orientation) or **ON** (reverse tilt orientation).
7. Press **<ENTER>**.

Screen Reverse

To set the display orientation on the Intimidator Beam 355 IRC, follow the instructions below:

1. Press **<MENU>**.
2. Use **<UP>** or **<DOWN>** to select **Setup**.
3. Press **<ENTER>**.
4. Use **<UP>** or **<DOWN>** to select **Screen Reverse**.
5. Press **<ENTER>**.
6. Use **<UP>** or **<DOWN>** to select **OFF** (normal display orientation) or **ON** (reverse display orientation).
7. Press **<ENTER>**.

Pan Angle

To set the pan angle range on the Intimidator Beam 355 IRC, do the following:

1. Press **<MENU>**.
2. Use **<UP>** or **<DOWN>** to select **Setup**.
3. Press **<ENTER>**.
4. Use **<UP>** or **<DOWN>** to select **Pan Angle**.
5. Press **<ENTER>**.
6. Use **<UP>** or **<DOWN>** to select from **540** (540°), **360** (360°), or **180** (180°).
7. Press **<ENTER>**.

Tilt Angle

To set the tilt angle range on the Intimidator Beam 355 IRC, follow the instructions below:

1. Press **<MENU>**.
2. Use **<UP>** or **<DOWN>** to select **Setup**.
3. Press **<ENTER>**.
4. Use **<UP>** or **<DOWN>** to select **Tilt Angle**.
5. Press **<ENTER>**.
6. Use **<UP>** or **<DOWN>** to select from **270** (270°), **180** (180°), or **90** (90°).
7. Press **<ENTER>**.

Totem Mode

To activate the Totem mode, do the following:

1. Press **<MENU>**.
2. Use **<UP>** or **<DOWN>** to select **Setup**.
3. Press **<ENTER>**.
4. Use **<UP>** or **<DOWN>** to select **Totem Mode**.
5. Press **<ENTER>**.
6. Use **<UP>** or **<DOWN>** to select **OFF** (normal range of motion), **UP** (upward tilt range), or **DOWN** (downward tilt range).
7. Press **<ENTER>**.

Reset

To reset all functions on the Intimidator Beam 355 IRC, do the following:

1. Press **<MENU>**.
2. Use **<UP>** or **<DOWN>** to select **Setup**.
3. Press **<ENTER>**.
4. Use **<UP>** or **<DOWN>** to select **Reset**.
5. Press **<ENTER>**.

Factory Reset

To restore the Intimidator Beam 355 IRC to factory default settings, follow the instructions below:

1. Press **<MENU>**.
2. Use **<UP>** or **<DOWN>** to select **Setup**.
3. Press **<ENTER>**.
4. Use **<UP>** or **<DOWN>** to select **Factory Set**.
5. Press **<ENTER>**.

System Information

To view the system information on the Intimidator Beam 355 IRC, do the following:

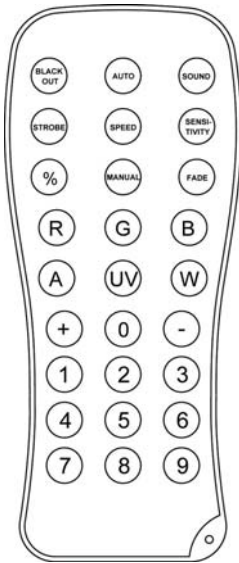
1. Press **<MENU>**.
2. Use **<UP>** or **<DOWN>** to select **Sys Info**.
3. Press **<ENTER>**.

IRC-6 Infrared Remote Control

The Intimidator Beam 355 IRC is compatible with the IRC-6 infrared remote control from Chauvet. To set the Intimidator Beam 355 IRC to IR mode, follow the instructions below:

1. Press **<MENU>**.
2. Use **<UP>** or **<DOWN>** to select **Run Mode**.
3. Press **<ENTER>**.
4. Press **<UP>** or **<DOWN>** to select **IR**.
5. Press **<ENTER>**.

IRC-6 Operation



The list below describes which features each button controls:

- **<BLACKOUT>** - Keeps shutter closed.
- **<AUTO>** - Activates Auto mode. Use **<+>**, **<->**, or **<0>**–**<9>** to select an auto program.
- **<SOUND>** - Activates Sound mode.
- **<STROBE>** - Activates Strobe control. Use **<+>** or **<->** to increase or decrease the strobe speed from **00** (off) to **20**
- **<SPEED>** - Sets Pan/Tilt Speed. Use **<+>** or **<->** to increase or decrease the pan/tilt speed from **000** (fastest) to **255** (slowest)
- **<SENSITIVITY>** - Sets Sound Sensitivity. Use **<+>** or **<->** to increase or decrease the sensitivity from **001** (lowest) to **100** (highest)
- **<%>** - Sets Dimmer value. Use **<+>** or **<->** to widen or narrow the shutter.
- **<MANUAL>** - Cycles through static gobos.
- **<FADE>** - Cycles through static colors.
- **<R>** - Sets color wheel rotation speed. Use **<+>** or **<->** to increase or decrease the speed from **000** (slowest) to **100** (fastest). Press **<R>** to toggle direction.
- **<G>** - Sets gobo wheel rotation speed. Use **<+>** or **<->** to increase or decrease the speed from **000** (slowest) to **100** (fastest). Press **<G>** to toggle direction.
- **** - Activates Auto Color/Gobo mode.
- **<A>** - Sets manual Pan/Tilt values. Press **<A>** to toggle between pan and tilt. Use **<+>** or **<->** to increase or decrease the pan/tilt value, from **000–255**.
- **<W>** - Sets manual Prism/Frost values. Use **<+>** or **<->** to increase or decrease the prism/frost value, from **000–255**.
- **<+>** - Increases a value when in a function.
- **<->** - Decreases a value when in a function.
- **<0>**–**<9>** - Selects Auto programs 0–9.

Master/Slave Mode

The Master/Slave mode allows a single Intimidator Beam 355 IRC product (the “master”) to control the actions of one or more Intimidator Beam 355 IRC products (the “slaves”) without the need of a DMX controller. The master product will be set to operate in either Stand-Alone mode or with the IRC-6, while the slave products will be set to operate in Slave mode. Once set and connected, the slave products will operate in unison with the master product.

Configure the products as indicated below.

Slave products:

1. Press **<MENU>**.
2. Use **<UP>** or **<DOWN>** to select **Run Mode**.
3. Press **<ENTER>**.
4. Use **<UP>** or **<DOWN>** to select **Slave**.
5. Press **<ENTER>**.
6. Use **<UP>** or **<DOWN>** to select from **Slave1, Slave2, Slave3, or Slave4**.
 - Select **Slave1** for 100% synchronized actions.
 - Select **Slave2, Slave3, or Slave4** for a delayed show, creating a wave effect.
7. Connect the DMX input of the first slave product to the DMX output of the master product.
8. Connect the DMX input of the subsequent slave products to the DMX output of the previous slave product.
9. Finish setting and connecting all the slave products.

Master product:

1. Set the master product to operate in Stand-Alone mode or with the IRC-6.
2. Make the master product the first product in the DMX daisy chain.
 - **Configure all the slave products before connecting the master to the daisy chain.**
 - **Never connect a DMX controller to a DMX string configured for Master/Slave operation because the controller may interfere with the signals from the master.**
 - **Do not connect more than 31 slaves to the master.**



Zero Adjust Mode

The Intimidator Beam 355 IRC contains a passcode protected mode which allows the user to calibrate and adjust several of the product’s operating parameters.

In order to access this mode, do the following:

1. Press and hold **<MENU>** for at least 3 seconds.
2. Use **<UP>** (increases the selected value) and **<DOWN>** (selects the next value) to enter the passcode: **2323**.
3. Press **<ENTER>**.

In this mode, the starting positions for the following can be adjusted:

PARAMETER	DEFAULT	FUNCTION
PAN	147	Pan motor
TILT	128	Tilt motor
COLOR	128	Color wheel
GOBO	128	Gobo wheel
PRISM	128	Prism assembly
DIMMER	070	Shutter assembly

To adjust the starting position of one of these parameters, follow the instructions below:

1. Access the Zero Adjust mode.
2. Use **<UP>** or **<DOWN>** to select the parameter to be adjusted.
3. Press **<ENTER>**.
4. Use **<UP>** or **<DOWN>** to increase or decrease the selected value, from **000–255**.
5. Press **<ENTER>**.

5. MAINTENANCE

Product Maintenance

Dust build-up reduces light output performance and can cause overheating. This can lead to reduction of the light source's life and/or mechanical wear. To maintain optimum performance and minimize wear, clean your lighting products at least twice a month. However, be aware that usage and environmental conditions could be contributing factors to increase the cleaning frequency.

To clean the product, follow the instructions below:

1. Unplug the product from power.
2. Wait until the product is at room temperature.
3. Use a vacuum (or dry compressed air) and a soft brush to remove dust collected on the external surface/vents.
4. Clean all transparent surfaces with a mild soap solution, ammonia-free glass cleaner, or isopropyl alcohol.
5. Apply the solution directly to a soft, lint free cotton cloth or a lens cleaning tissue.
6. Softly drag any dirt or grime to the outside of the transparent surface.
7. Gently polish the transparent surfaces until they are free of haze and lint.



Always dry the transparent surfaces carefully after cleaning them.

6. TECHNICAL SPECIFICATIONS

Dimensions and Weight

LENGTH	WIDTH	HEIGHT	WEIGHT
12.7 in (322 mm)	8.7 in (220 mm)	18.9 in (480 mm)	25.4 lb (11.6 kg)

Note: Dimensions in inches rounded to the nearest decimal digit.

Power

POWER SUPPLY TYPE	RANGE	VOLTAGE SELECTION
Switching (internal)	100 to 240 VAC, 50/60 Hz	Auto-ranging

PARAMETER	120 V, 60 HZ	230 V, 50 HZ
Consumption	163 W	157 W
Operating Current	1.5 A	0.8 A
Power linking current (products)	13.6 A (5 products)	13.6 A (9 products)
Fuse	F 3 A, 250 V	F 3 A, 250 V

POWER I/O	U.S./WORLDWIDE	UK/EUROPE
Power input connector	powerCON®-compatible	powerCON®-compatible
Power output connector	powerCON®-compatible	powerCON®-compatible
Power Cord plug	Edison (U.S.)	Local Plug

Light Source

TYPE	COLOR	QUANTITY	POWER	CURRENT	LIFESPAN
LED	White	1	100 W	27 A	50,000 hours

Photometrics

STROBE RATE	BEAM ANGLE	ILLUMINANCE @ 2 M	ILLUMINANCE @ 5 M
0 to 20 Hz	3°	262,800 lux	6,860 lux

Thermal

MAXIMUM EXTERNAL TEMPERATURE	COOLING SYSTEM
104 °F (40 °C)	Fan-assisted convection

DMX

I/O CONNECTOR	CHANNEL RANGE
3-pin XLR	8 or 14

Ordering

PRODUCT NAME	ITEM CODE	UPC NUMBER
Intimidator Beam 355 IRC	09011369	781462217174



UL 1573
CSA C22.2 No. 166
E113093



RETURNS

In case you need to get support or return a product:

- If you are located in the U.S., contact Chauvet World Headquarters.
- If you are located in the UK or Ireland, contact Chauvet Europe Ltd.
- If you are located in Benelux, contact Chauvet Europe BVBA.
- If you are located in France, contact Chauvet France.
- If you are located in Germany, contact Chauvet Germany.
- If you are located in Mexico, contact Chauvet Mexico.
- If you are located in any other country, DO NOT contact Chauvet. Instead, contact your local distributor. See www.chauvetdj.com for distributors outside the U.S., UK, Ireland, Benelux, France, Germany, or Mexico.



If you are located outside the U.S., UK, Ireland, Benelux, France, Germany, or Mexico, contact your distributor of record and follow their instructions on how to return Chauvet products to them. Visit our website www.chauvetdj.com for contact details.

Call the corresponding Chauvet Technical Support office and request a Return Merchandise Authorization (RMA) number before shipping the product. Be prepared to provide the model number, serial number, and a brief description of the cause for the return.

To submit a service request online, go to www.chauvetdj.com/service-request.

Send the merchandise prepaid, in its original box, and with its original packing and accessories. Chauvet will not issue call tags.

Clearly label the package with the RMA number. Chauvet will refuse any product returned without an RMA number.



Write the RMA number on a properly affixed label. DO NOT write the RMA number directly on the box.

Before sending the product, clearly write the following information on a piece of paper and place it inside the box:

- Your name
- Your address
- Your phone number
- RMA number
- A brief description of the problem

Be sure to pack the product properly. Any shipping damage resulting from inadequate packaging will be your responsibility. FedEx packing or double-boxing are recommended.



Chauvet reserves the right to use its own discretion to repair or replace returned product(s).

CONTACT US

General Information	Technical Support
World Headquarters	
Address: 5200 NW 108th Ave. Sunrise, FL 33351 Voice: (954) 577-4455 Fax: (954) 929-5560 Toll Free: (800) 762-1084	Voice: (844) 393-7575 Fax: (954) 756-8015 Email: chauvetcs@chauvetlighting.com Website: www.chauvetdj.com
UK	
Address: Unit 1C Brookhill Road Industrial Estate Pinxton, Nottingham, UK NG16 6NT Voice: +44 (0) 1773 511115 Fax: +44 (0) 1773 511110	Email: UKtech@chauvetlighting.eu Website: www.chauvetdj.eu
Benelux	
Address: Stokstraat 18 9770 Kruishoutem Belgium Voice: +32 9 388 93 97	Email: BNLtech@chauvetlighting.eu Website: www.chauvetdj.eu
France	
Address: 3, Rue Ampère 91380 Chilly-Mazarin France Voice: +33 1 78 85 33 59	Email: FRtech@chauvetlighting.fr Website: www.chauvetdj.eu
Germany	
Address: Bruno-Bürgel-Str. 11 28759 Bremen Germany Voice: +49 421 62 60 20	Email: DEtech@chauvetlighting.de Website: www.chauvetdj.eu
Mexico	
Address: Av. de las Partidas 34 - 3B (Entrance by Calle 2) Zona Industrial Lerma Lerma, Edo. de México, CP 52000 Voice: +52 (728) 690-2010	Email: servicio@chauvet.com.mx Website: www.chauvetdj.mx

Outside the U.S., United Kingdom, Ireland, France, Germany, Mexico or Benelux, contact the dealer of record. Follow the instructions to request support or to return a product. Visit our website for contact details.