

# Technical Information

No. FO 4517

Edition: 02/02 - subject to change

Supersedes: Edition 09/01

Status: valid

Metal Halide Lamp

# HTI<sup>®</sup> 403 W/24

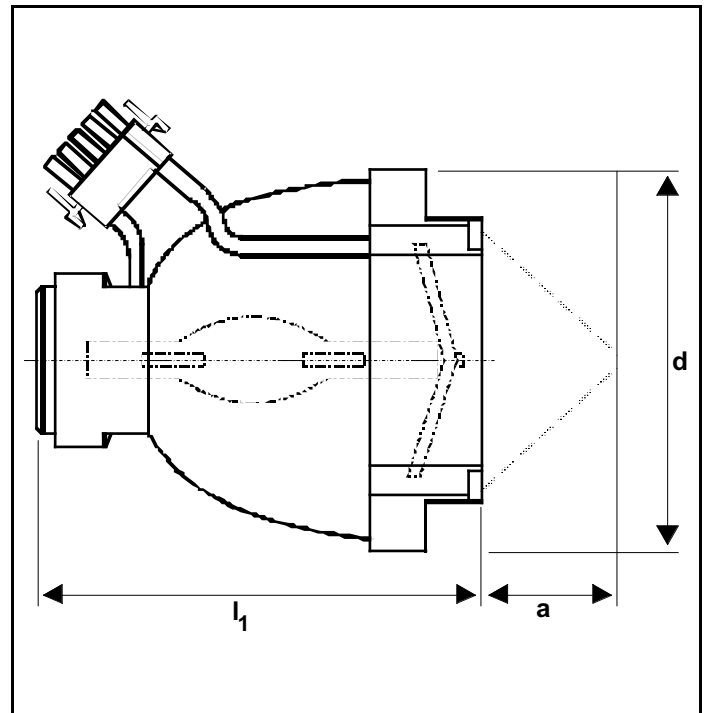
## ■ Product description

The OSRAM HTI<sup>®</sup> 403 W/24 is a high performance light source with a dichroic focusing cold-light reflector. In a distance of 24 mm from the reflector's front ceramic ring (i.e. mounting distance) a field of 8 mm diameter is illuminated. The lamp stands out due to its long service life of 750 hours.

The HTI<sup>®</sup> 403 W/24 is mainly used in the effect lighting field and for endoscopy using fiberbundles of more than 8 mm diameter. Due to its color characteristics (less color rendering of the red spectral part compared to the HTI 400W/24) this type is not suitable for film projection.

## ■ Technical data

Order reference		HTI <sup>®</sup> 403 W/24
Rated lamp wattage	W	400
Rated lamp voltage	V	55
Rated lamp current (square)	A	7.3
Ignition voltage (cold / hot)	kV <sub>s</sub>	4.5 / 20
Color temperature	K	5,600
Electrode gap	mm	4.2
Lamp length (overall) $l_1$	mm	max. 73
Reflector diameter $d$	mm	67
Electrical connection		AMP 350809-1



Luminous area $\varnothing$	mm	8 Spot
Mounting distance $a$	mm	24
Average service life $h$		750

## ■ Lamp operation

Maximum permissible base temperature	°C	230
Cooling	Fan; horizontal air flow from bottom passing through the gap in the front and rear ceramic ring	
Burning position	horizontal $\pm 20^\circ$ , p 20	

For best luminous efficacy and best light stability the HTI<sup>®</sup> 403 W/24 should be operated on electronic power supplies (ECG). For less critical applications the operation on standard ballasts is possible; some lamp parameters may be reduced then.

## ■ Manufacturers of operating and control devices (not all officially approved by OSRAM)

Ignitors:	Mitronic 270/400; Bauch 252
Ballasts:	ERC, May & Christe (not serial)
ECGs:	Gossen C 36 AC 40; Mitronic ENE 270/40; San Rex SG 400; Walker SA HTI 400 I2