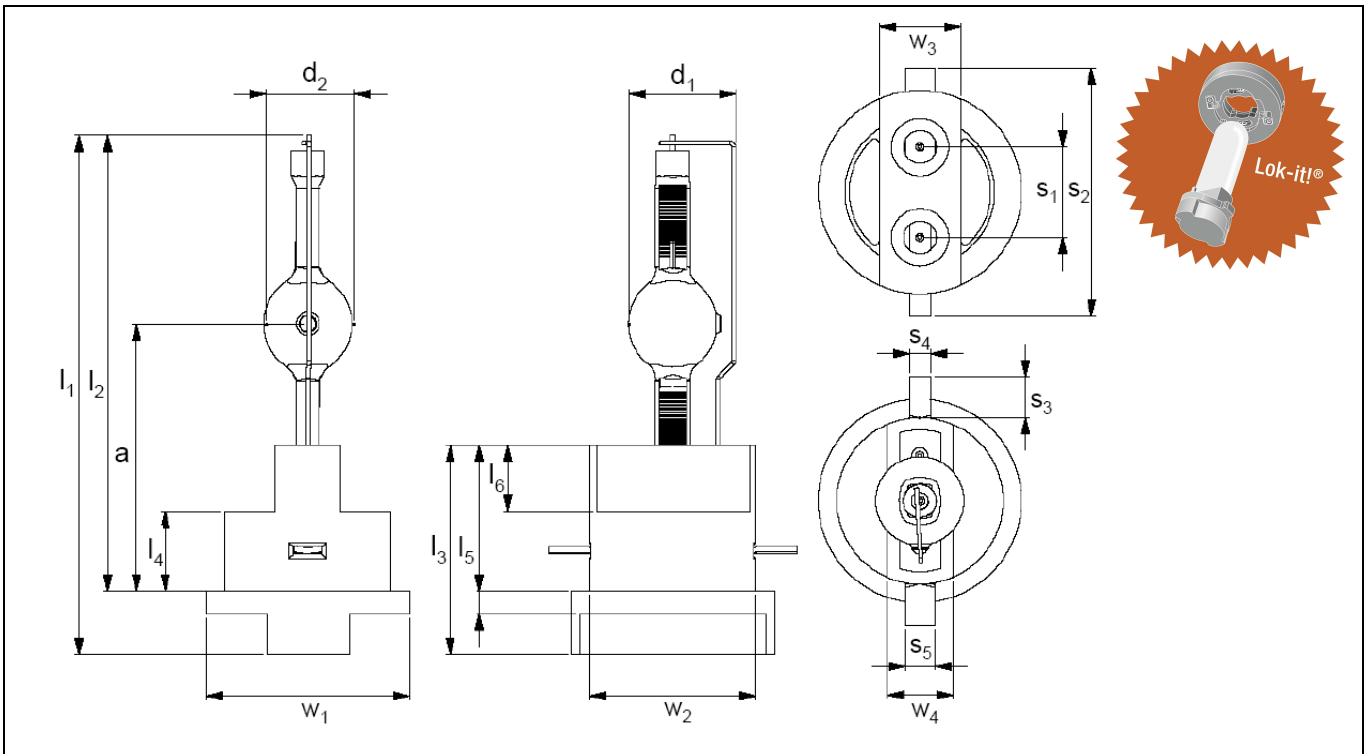




## HTI<sup>®</sup> 1500W/60/P50 Lok-it!<sup>®</sup>

### ■ Product description

The OSRAM HTI<sup>®</sup> 1500 W/60/P50 Lok-it!<sup>®</sup> is a highly efficient, single-ended short-arc metal halide lamp with daylight-like colour temperature. On respective electronic power supplies, it could be operated from 1200W to 1500W. The new Lok-it!<sup>®</sup> plug'n'play system allows a quick one-touch lamp replacement. A respectively designed lamp holder – type PGJ50/PGJX50 – is available, too. It is very compact and hence allows cold start of the lamp only. Featuring OSRAM's XS-Technology, the lamp stands pinch temperatures up to 450°C.



### ■ Technical data lamp

Order reference	Lok-it! <sup>®</sup>	HTI <sup>®</sup> 1500 W/60/P50	Bulb diameter $d_2$	mm	max. 23
Ignition voltage (cold/hot; Mhz igniter)	kV <sub>S</sub>	4.5 / 5 (max.)	Bulb diameter $d_1$ (incl. current bar)	mm	max. 27.5
Rated lamp wattage	W	1500	Base height part $l_4$	mm	19.5
Rated lamp voltage	V	100 ± 10	Base height part $l_5$	mm	35.5
Rated lamp current (-)	A	15	Base height part $l_6$	mm	16
Luminous flux	lm	135,000	Base plate diameter $w_1$	mm	50
Luminous efficacy	lm/W	~ 90	Base neck width $w_2$	mm	41
Color temperature	K	6,000 ± 500	Base handle width $w_3$	mm	20
Color rendering index	Ra	> 85	Base neck width $w_4$	mm	16
Average service life	h	750	Base pin inner distance $s_1$	mm	22
Light arc length	mm	5	Base pin outer distance $s_2$	mm	61
Lamp length (overall) $l_1$	mm	128 ± 1	Base pin length $s_3$	mm	10
Lamp length $l_2$	mm	112 ± 1	Base pin width $s_4$	mm	5
LCL a	mm	65 ± 1	Base pin width $s_5$	mm	7

# Technical Information

No. DO 5553

Edition: 05/08 - subject to change

Supersedes: initial release

Status: preliminary



# plug'n'play Metal Halide Lamp

## HTI<sup>®</sup> 1500W/60/P50 Lok-it!<sup>®</sup>

Base height (overall)  $l_b$  mm 51

Base (pre-focus/bayonet) PGJ50d Lok-it!<sup>®</sup>

### Lamp operation

Maximum pinch seal temperature allowed °C 450 / with eXtreme Seal Technology (measured at welding point)

Cooling forced cooling / fan required

Burning position any

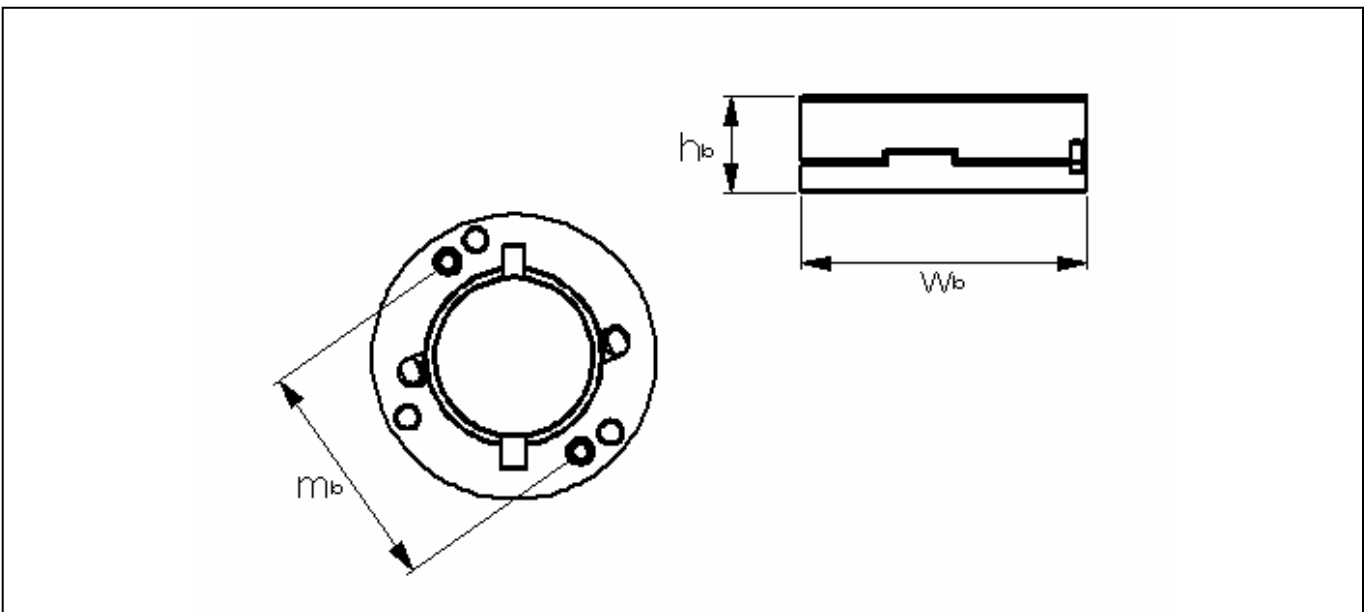
The HTI<sup>®</sup> 1500 W/60/P50 Lok-it!<sup>®</sup> is designed to be operated on electronic power supplies (ECG) only.

### Manufacturers of igniters and control gear (not all officially approved by OSRAM)

Igniters: Schiederwerk, CCI Power Supplies

ECGs: Schiederwerk PVG 12-15AC, CCI Power Supplies MHL 1500M5Z

### Technical data lamp holder



Order reference PGJ50/PGJX50 Lok-it!<sup>®</sup>

Max. wattage W 1575

Height  $h_b$  mm 21,3 ± 1

Max. voltage V 250

Width / diameter base  $w_b$  mm 80 ± 1.5

Max. current (-) A 16

Distance mounting holes  $m_b$  mm 65 ± 0.7

Max. ignition voltage kV<sub>s</sub> 5

Screw type for mounting M4

Max. temperature °C 350

Lead wire diameter 1.4 ... 4 mm<sup>2</sup>, attachment via screw terminal

**Technical Information**

No. DO 5553

Edition: 05/08 - subject to change

Supersedes: initial release

Status: preliminary



plug'n'play Metal Halide Lamp

**HTI<sup>®</sup> 1500W/60/P50 Lok-it!<sup>®</sup>**