

## KTC LED.PowerSpot 4.5W LED

### 4.5W GU10 PAR16 Lamp



### Product Overview

Suitable for the most demanding of professional users, Kosnic's KTC-PRO range offers lamps that deliver huge energy savings over halogen lamps without compromising on brightness. The lamps can quickly replace halogen products in accent and general lighting applications, and once in place rapid payback is achieved.

### Features

- Save energy up to 85% compared with halogen lamps.
- Direct replacement of GU10 halogen lamp.
- High lumen output.
- Long life of 35,000h.
- Instant start.
- Negligible UV output.
- Mercury free.

### Safety and Maintenance

- Switch off supply and allow cooling before handling lamp.
- Use in totally enclosed fittings will reduce lamp life.
- Do not dispose of lamp in household waste.
- Dispose of in appropriate section of local civic amenity site or recycling centre.

**Specifications**

Product Code	KPRO4.5PWR/GU10-S30	KPRO4.5PWR/GU10-S40	KPRO4.5PWR/GU10-S65
Lamp Cap	GU10	GU10	GU10
Lamp Shape	PAR16	PAR16	PAR16
Nominal Power (W)	4.5	4.5	4.5
Voltage	220-240Vac 50-60Hz	220-240Vac 50-60Hz	220-240Vac 50-60Hz
Current (mA)	34	34	34
Nominal Useful Luminous Flux (lm)	230	250	260
Total Luminous Flux (lm)	270	290	300
CCT (K)	3000K Warm White	4000K Cool White	6500K Day Light
Nominal Lifetime (h)	35000	35000	35000
Beam Angle (°)	45	45	45
Dimmable	No	No	No
Switching Cycles	50000	50000	50000
Warm-up time to 60% (S)	Instant full light	Instant full light	Instant full light
Suitable for Accent Lighting	Yes	Yes	Yes
Length (mm)	54.0	54.0	54.0
Diameter (mm)	50.0	50.0	50.0
Mercury (mg)	0	0	0
Clean-up instructions	N/A	N/A	N/A
Retrofit	Yes	Yes	Yes
Equivalent Wattage (W)	36	38	40
Rated Power (W)	4.5	4.5	4.5
Rated Useful Luminous Flux (lm)	230	250	260
Rated Lifetime (h)	35000	35000	35000
Power Factor	0.58	0.58	0.58
Rated Peak Candelas (cd)	400	420	430
Lumen Maintenance Factor at Nominal Lifetime	0.75	0.75	0.75
SDCM of CCT	<6	<6	<6
CRI	82	82	84
Start Time (s)	0.30	0.30	0.30
Ambient Temperature Range (°C)	-20 to 40	-20 to 40	-20 to 40

Notes: The Useful Luminous Flux quoted is for the output within a 90° cone as per the EU implementing directive on ecodesign requirements for directional lamps.

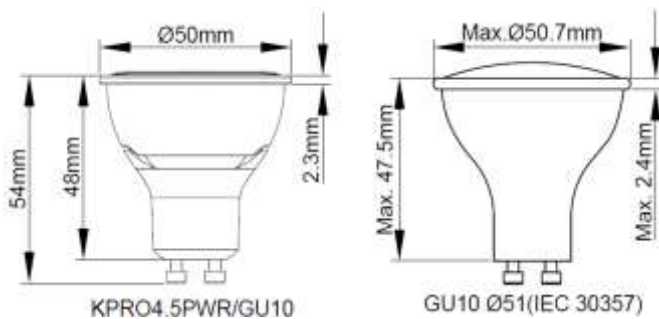
**Energy Label**

Manufacturer	Kosnic	Kosnic	Kosnic
Product Code	KPRO4.5PWR/GU10-S30	KPRO4.5PWR/GU10-S40	KPRO4.5PWR/GU10-S65
Energy Class	A+	A+	A+
Energy Consumption (kWh/1000h)	5	5	5

### Product Markings

Manufacturer	Kosnic	Kosnic	Kosnic
Product Code	KPRO4.5PWR/GU10-S30	KPRO4.5PWR/GU10-S40	KPRO4.5PWR/GU10-S65
Volts (V)	220-240Vac 50-60Hz	220-240Vac 50-60Hz	220-240Vac 50-60Hz
Nominal Watts (W)	4.5	4.5	4.5
Current (mA)	34	34	34
Nominal Useful Luminous Flux (lm)	230	250	260
CCT (K)	3000	4000	6500
Beam Angle (°)	45	45	45
CE Mark	Yes	Yes	Yes
WEEE Mark	Yes	Yes	Yes
Batch Code	Yes	Yes	Yes

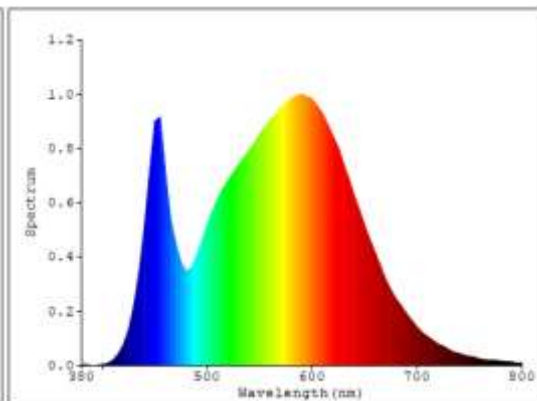
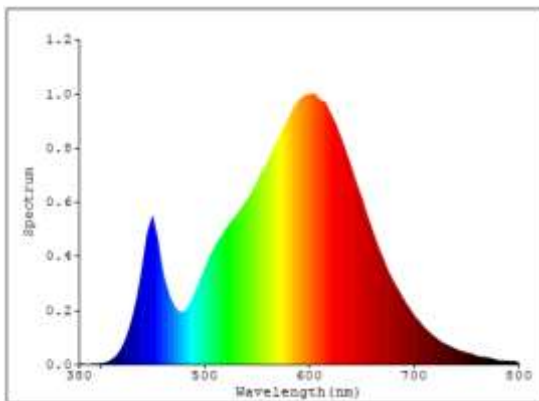
### Dimensions



### Photometric Information

3000K

4000K



6500K

