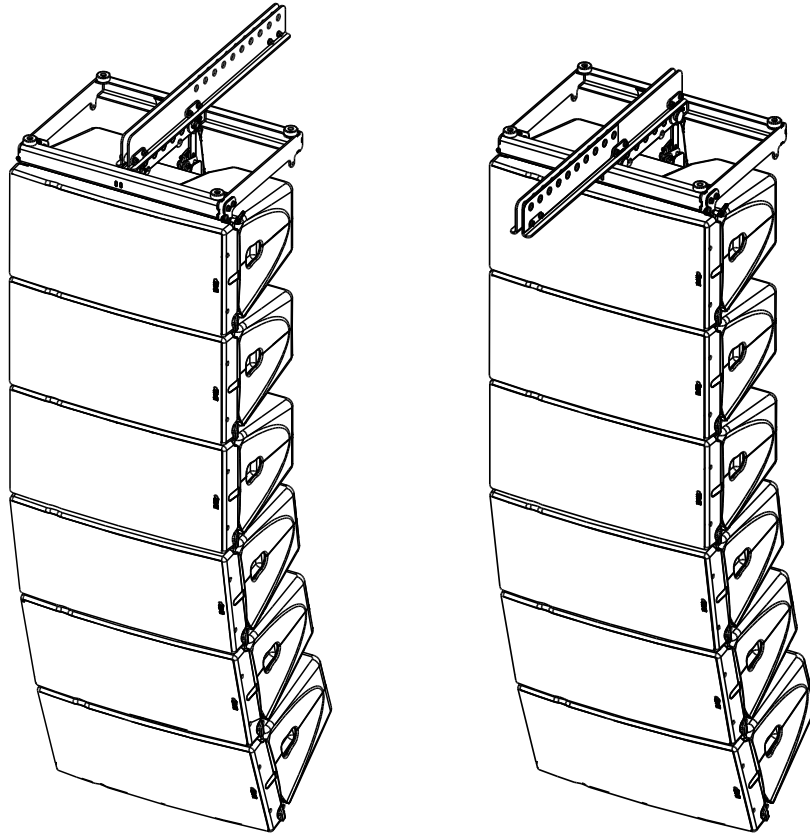
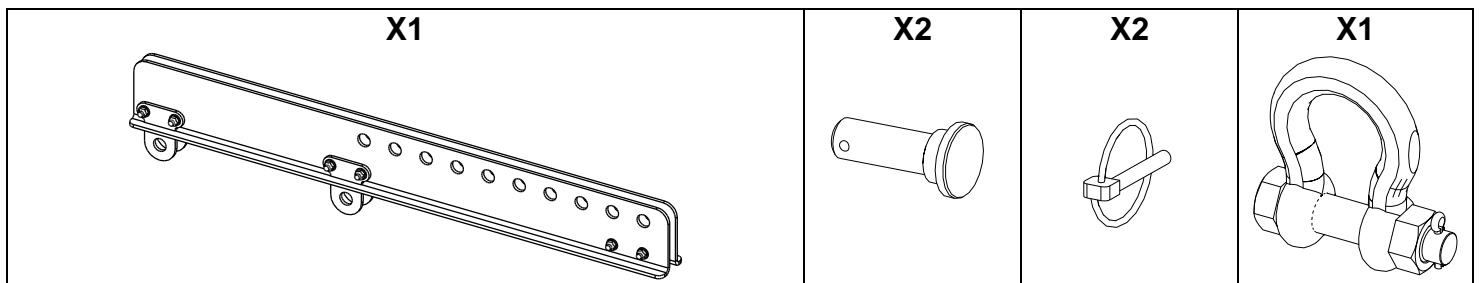


Extension Bar for GMT-LBUMPM12

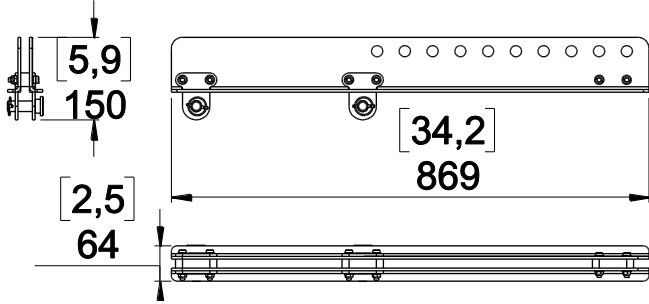


Contents:



Weight: 9.7 kg / 21.4 lb

Dimensions:



Use: Max 12x GEOM12 flown

Assembly for negative tilt	Assembly for positive tilt
<p>HF on left side</p>	<p>HF on left side</p>
<p>HF on right side</p>	<p>HF on right side</p>
<p>Use NEXO Simulation Software for mechanical prediction</p>	

WARNING: Use shackle mode: Alloy Bolt Type Shackle 3.25 Tons

Use NEXO Simulation Software for mechanical prediction

- NEXO cannot accept responsibility for accidents caused by any factor other than defects in this product itself.
- Please check the web site nexo-sa.com for the latest update.

NEXO

nexo-sa.com
ZA du Pre de la Dame Jeanne
60128 PLAILLY - France

- Read this document before using.
- Keep this document.
- Observe all warnings and cautions.

