

# Technical Information

No. FO 5059

Edition: 03/02 subject to change

supersedes: Edition 10/01

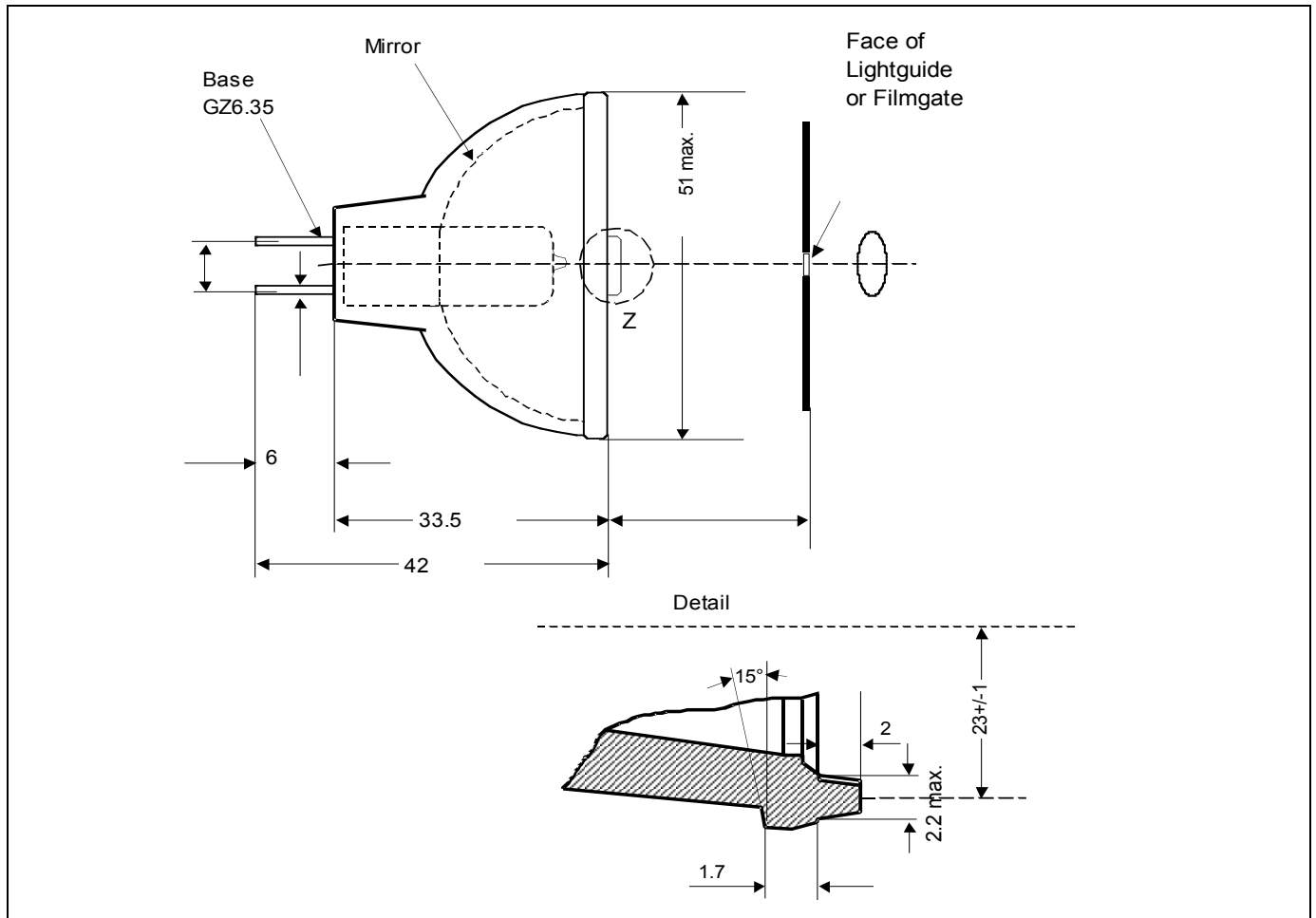
Status: valid

# Halogen Reflector Lamp

# 64629

## ■ Product description

The OSRAM 64629 belongs to the group of the tungsten halogen low voltage lamps and is equipped with a cold light reflector MR 16. The 64629 is used in fiber optic applications and for effect lighting. It is electrically compatible with ANSI code EFP but has 600h life time with only a small reduction in luminous flux.



## ■ Technical data

Order reference		64629
ANSI		(EFP-6)
LIF		-
Voltage	V	12
Rated wattage	W	100

# Technical Information

No. FO 5059

Edition: 03/02 subject to change

supersedes: Edition 10/01

Status: valid

# Halogen Reflector Lamp

# 64629

---

Type of reflector		Cold light reflector
Reflector diameter	mm	51 max.
Recommended working distance	mm	32
Overall Length $l_1$	mm	Max. 42
Overall Length $l_2$	mm	Max. 33,5
Average service life	h	600
Base		GZ6.35

---

## ■ Required conditions of operation

Burning position		p90/15
Maximum permissible seal temperature	°C	350
cooling		forced cooling necessary
Further		Please provide free space in lamp house around reflector neck, min. diameter 25 mm. The neck must not be used for fixing the lamp.

---