



E218sw Dual 18-inch Passive Subwoofer

KEY FEATURES

- High output, professional quality sound with 1600 W continuous power
- E Series Entertainment System – Advanced digital signal processing tunings and options using QSC GXD, PLD amplifiers or TouchMix™ digital mixers.
- Rugged tour-grade textured paint
- Foam-lined perforated steel grill
- Optional padded transport cover for protection during transit (E218sw CVR)
- Optional Caster Kit for greater portability (CASTER KIT-L)



E218sw

Entertainment Venues • Houses of Worship • Rental/Production Mobile Performers

The E218sw is a high-performance passive subwoofer with two, 800 W, 18-inch aluminum frame woofers. It's designed to produce crushing low-end for live performance bands and high-energy dance music. For portable applications it includes attachment points for four optional casters. The subwoofer's 4-ohm impedance means that a single unit can be optimally powered by an affordable power amplifier.

E Series Loudspeakers

The E Series is a range of passive loudspeakers offering robust construction, trusted reliability and overall sonic performance beyond expectations. Intended for sound reinforcement in entertainment applications including live performance, DJ and dance music, karaoke and event production, E Series loudspeakers will deliver outstanding results. Building on the proven, QSC "Systems" methodology, the E Series loudspeakers' performance is further enhanced when paired with QSC GXD or PLD amplifiers or with a QSC TouchMix™ digital mixer, and taking advantage of the on-board DSP and factory-tuned presets. These presets support a variety of applications including live sound reinforcement, stage monitoring, dance music and karaoke.

E Series consists of six models constructed of rugged plywood and coated in black, textured paint. Heavy-duty grilles lined with foam provide protection for the woofers and an elegant appearance. E10, E12 and E15 models are equipped with an all metal, dual-angle, 35 mm socket that allows the speaker to be mounted vertically on a pole or angled down by 10° to improve audience coverage and reduce rear wall reflections. Multiple mounting options using E Series Yoke or M8 eyebolts are supported. Input connections include dual NL4 as well as screw terminal receptacles. Additionally, E215 and E218SW models feature ergonomic, aluminum handles to ease portability.

E218sw with optional caster kit



E218sw with optional transport cover



E218sw Specifications

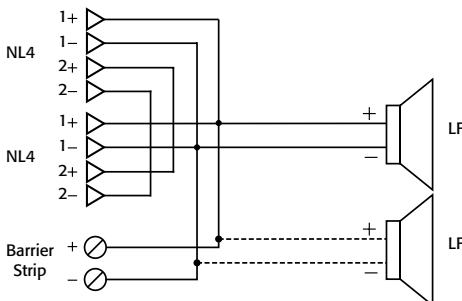
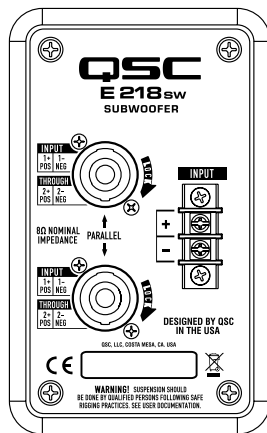
E218sw	
Configuration	2 x 18-inch subwoofer non-powered
Frequency Range ¹ (-10 dB)	32 Hz – 230 kHz
Power Capacity ² : Continuous/Peak	1600 W / 6400 W
Sensitivity	101 dB, 1 W @ 1 m
Coverage Angle	N/A
Output1 (Peak SPL @ 1m)	136 dB
Drivers	
LF	2 x 457 mm (18-inch) driver with 102 mm (4-inch) voice coil
HF	N/A
Nominal Impedance	4 Ω
Cross-over	N/A
Input Connectors	2 x NL4 1 x barrier strip
Enclosure	11-ply, black texture paint finish. Perforated, powder-coated steel grille with foam lining
Net Weight	168 lb / 76.4 kg
Dimensions (WxHxD)	46.8 x 24.3 x 25.2 in (1180 mm x 616 mm x 640 mm)

¹ With QSC Processing.

² Power that the device can withstand for two hours without permanent change in acoustical, mechanical, or electrical characteristics, greater than 10%, using IEC60268 noise based on nominal impedance in the cabinet with crossover; full range 30 Hz 12 dB/octave.

Additional specifications to be announced.
Specifications subject to change without notice.

E218sw Details



E218sw Dimensions

