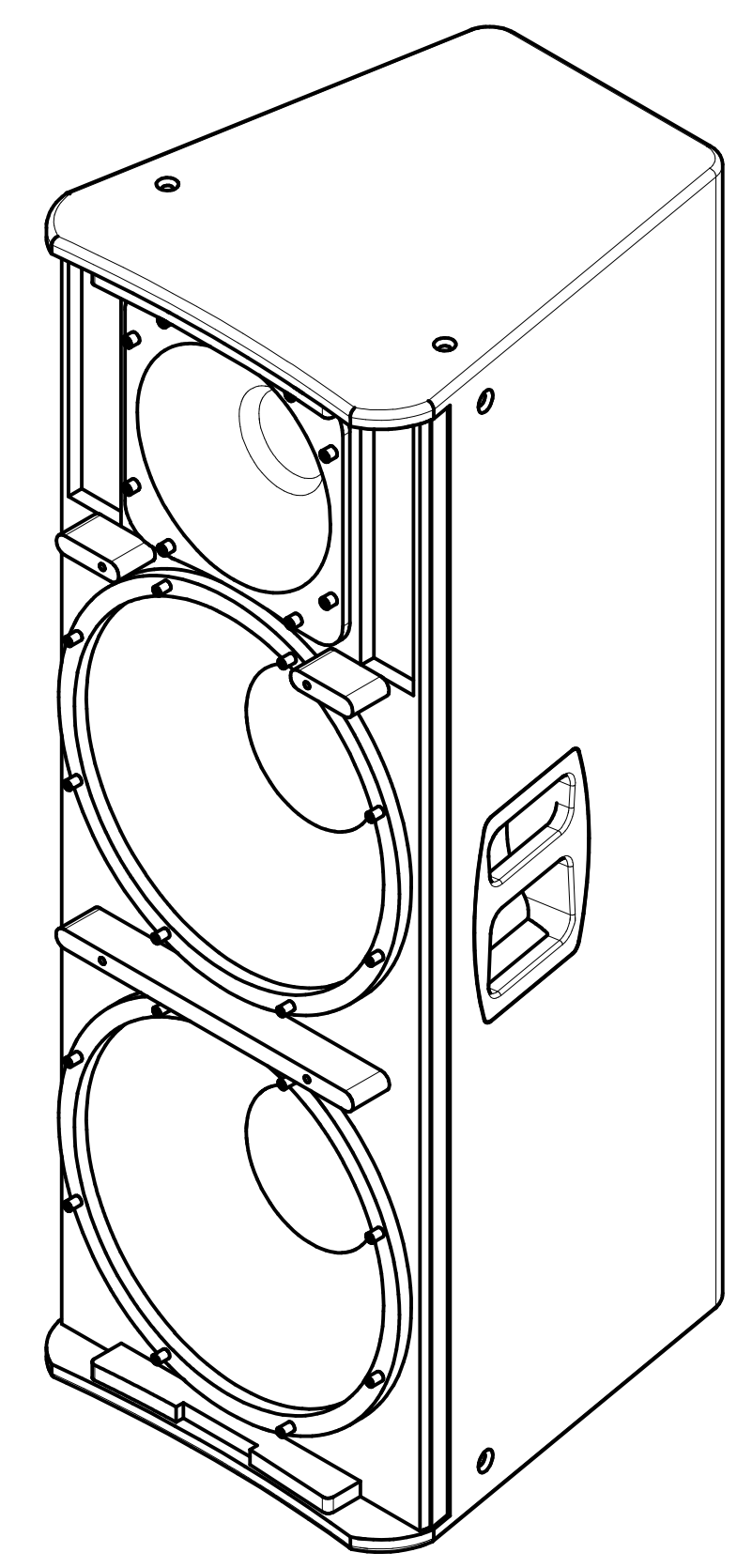
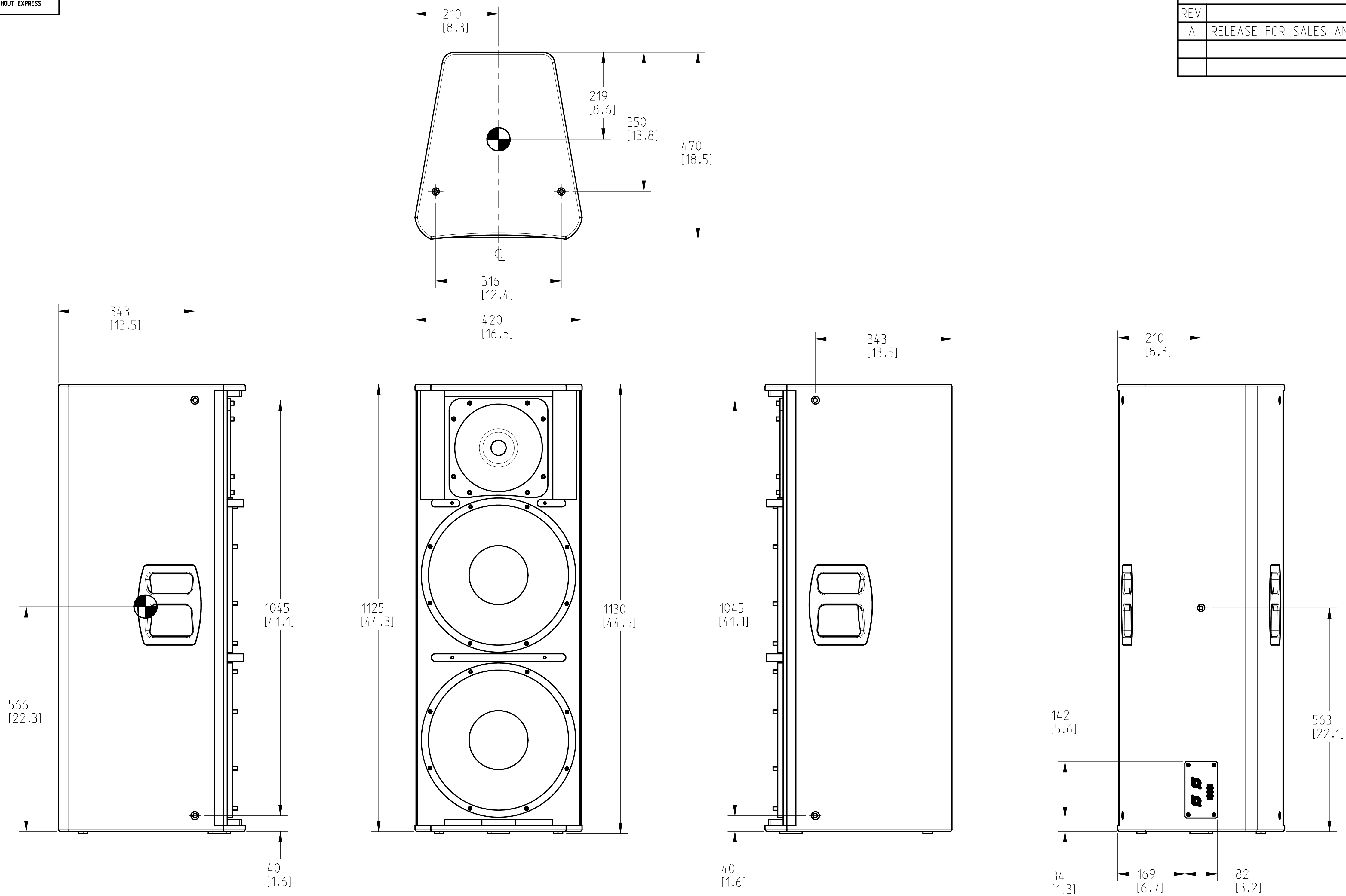


THIS DOCUMENT CONTAINS PROPRIETARY INFORMATION WHICH IS THE PROPERTY OF QSC, LLC. THAT MAY NOT BE DISCLOSED, REPRODUCED OR USED WITHOUT EXPRESS WRITTEN CONSENT FROM QSC, LLC.

REVISIONS			
REV	DESCRIPTION	BY	DATE
A	RELEASE FOR SALES AND MARKETING	ES	12-OCT-17



REAR VIEW

7. DIMENSIONS ARE IN MILLIMETERS [INCH].
6. GRILLE NOT SHOWN FOR CLARITY.
5. PARTS ARE SYMMETRICAL ABOUT CENTER LINES UNLESS OTHERWISE NOTED.
4. SYMBOL ⊕ INDICATES CENTER OF BALANCE.
3. SYMBOL ⊙ INDICATES SUSPENSION POINT, 9 TOTAL: M8-1.5 THD.
2. TOLERANCES (MM): X ± 5, ANGLES: ± 1°.
1. NET WEIGHT APPROXIMATELY 52.2 KG [15 LBS].

NOTE: UNLESS OTHERWISE SPECIFIED

UNLESS OTHERWISE SPECIFIED DIMENSIONS IN MILLIMETERS (IN) TOLERANCES ARE: DECIMALS .XX±.02 ANGLES ± 1/2 DECURR EDGES .25 (1.01) R MAX	DESIGNER ENG. SERVICES	QSC, LLC 1675 MACARTHUR BOULEVARD COSTA MESA, CA 92626	FINISHED, SPEAKER, E215,BLK,15" 2-WAY	
	ENGINEER		TECHNICAL DIRECTOR	MANUFACTURING ENGINEER
MATERIAL	FINISH	DESIGNER ENG. SERVICES	SIZE D	CAGE CODE 00PW4
		DESIGNER ENG. SERVICES	DRAWING NO. FG-901154-2D	REV A
		DESIGNER ENG. SERVICES	SCALE 0.175	DO NOT SCALE DRAWING SHEET 1 OF 1