

Install

CVS 4

4" Coaxial In-Ceiling Loudspeaker for Installation Applications

- Coaxial full range ceiling loudspeaker for installation applications
- 40 Watts continuous, 160 Watts peak power
- 4" mineral loaded polypropylene driver with nitrile rubber surround for enhanced durability and long-term reliability
- 0.75" ferrofluid cooled soft dome neodymium high frequency driver
- Wide constant directivity dispersion for optimum coverage
- UL 1480 certified for fire-protected signalling systems
- UL 2043 certified for air-handling spaces
- UV and weather resistant UL 94 V-0 ABS front with plated steel fire can enclosure
- Multiple transformer taps for 70 V and 100 V line systems or 6 Ohm direct input
- Low insertion loss 30 W line transformer with easily accessible tapping switch
- Semi matt white finish fits unobtrusively in any environment
- Powder coated perforated steel mesh grille with dust protection
- Mounting C-ring and ceiling tile rails included

The CVS 4 is a compact 160-Watt ceiling loudspeaker engineered to provide superb audio performance in both background and foreground music sound systems. Ideally suited for a wide variety of applications, from restaurants and hotels to houses of worship and businesses of all types, the CVS 4 offers the power handling, wide frequency response and low distortion more typically found in a studio reference monitor than a ceiling loudspeaker. The resulting sound is warm, with a nuanced and pristine clarity that envelops the listener – without intruding.



Exceptional Sound and Reliability

The design comprises a 100 mm (4.00") mid bass driver with a coaxially mounted 19 mm (0.75") high frequency section mounted in a vented, injection moulded, paintable front baffle manufactured from UV/weather resistant UL94V-0 ABS material. The mineral loaded polypropylene cone material and nitrile rubber surround enhance durability and long-term reliability. This compact unit is specifically designed for applications requiring the combination of excellent sonic quality for music and speech reinforcement and exceptional reliability.

Install

CVS 4

4" Coaxial In-Ceiling Loudspeaker for Installation Applications

- Phoenix* connector with steel cover and strain relief clamping mechanism for fire rated cable
- 10-Year Warranty Program*
- Designed and engineered in the U.K.

Comprehensive Installation Package

Supplied with an integral zinc-plated steel back can, with recessed termination box, the CVS 4 satisfies the vast majority of installation application requirements. The removable locking connector has screw terminals for secure wire termination and "loop through" facility. Strain relief is provided by a clamping mechanism for use with plenum rated cable or conduit. Security toggle clamps make for quick and easy installation, while two tile support rails and one C-ring are also included in the package. A plaster (mud) ring is available as an optional accessory.



You Are Covered

We always strive to provide the best possible Customer Experience. Our products are made in our own [MUSIC Tribe](#) factory using state-of-the-art automation, enhanced production workflows and quality assurance labs with the most sophisticated test equipment available in the world. As a result, we have one of the lowest product failure rates in the industry, and we confidently back it up with a generous [Warranty program](#).



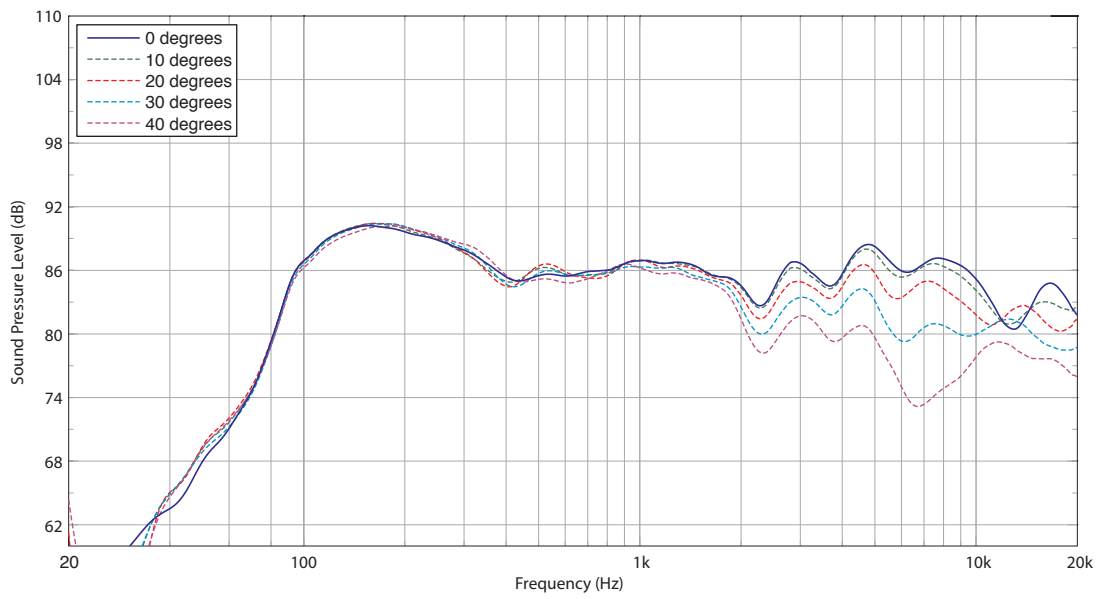
*All third-party trademarks are the property of their respective owners. Their use neither constitutes a claim of the trademark nor affiliation of the trademark owners with MUSIC Group. Product names are mentioned solely as a reference for compatibility, effects and/or components. Warranty details can be found at [music-group.com](#).

Install

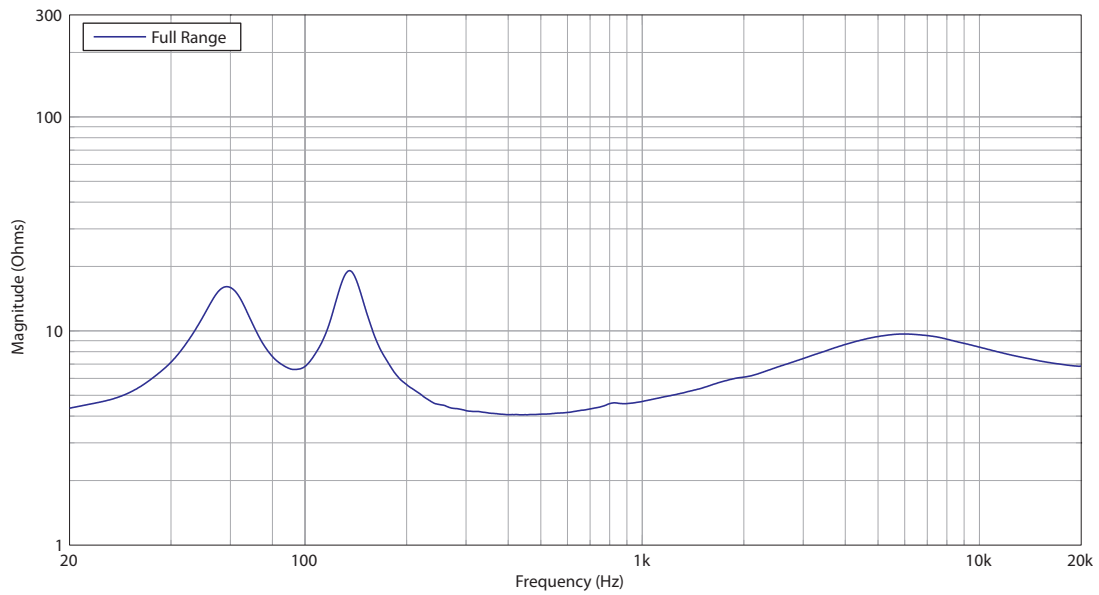
CVS 4

4" Coaxial In-Ceiling Loudspeaker for Installation Applications

Frequency Response Sensitivity 1 W / 1 m



Impedance

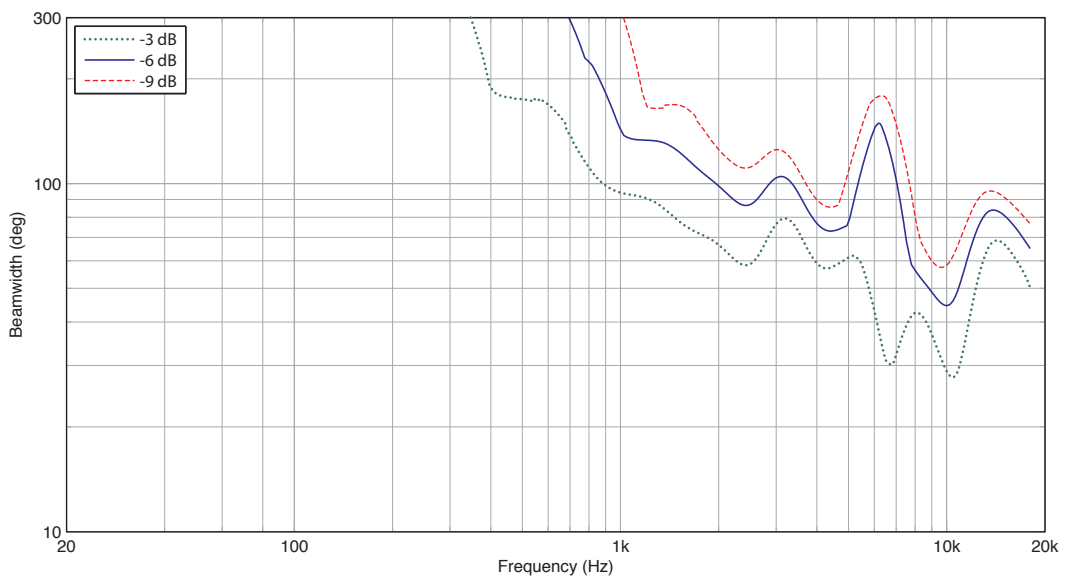


Install

CVS 4

4" Coaxial In-Ceiling Loudspeaker for Installation Applications

Horizontal Beamwidth

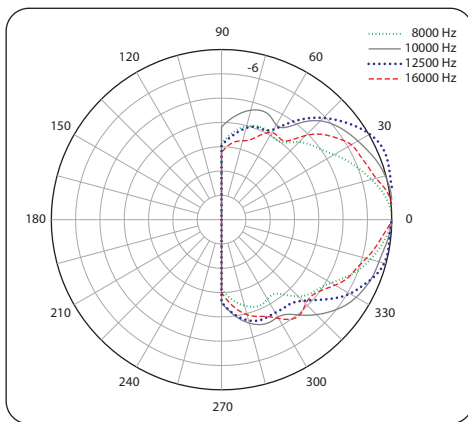
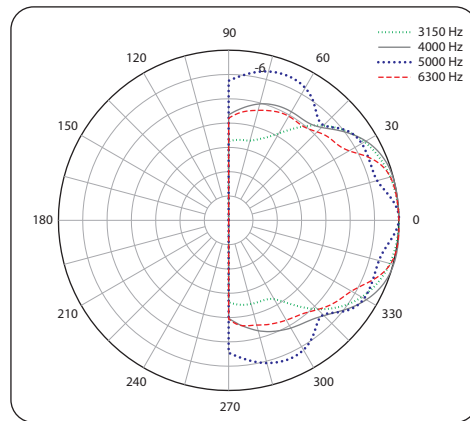
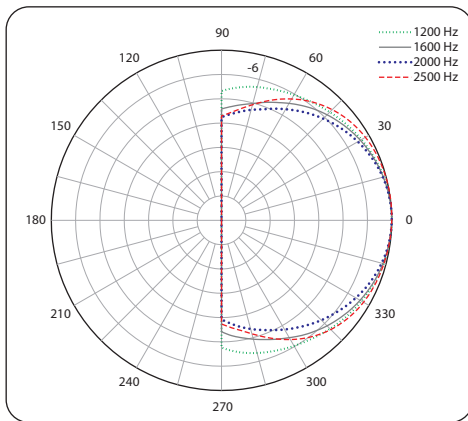
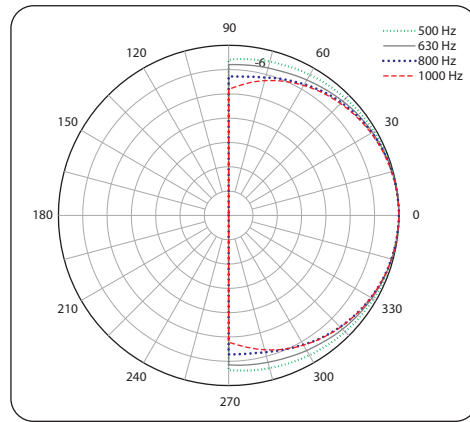
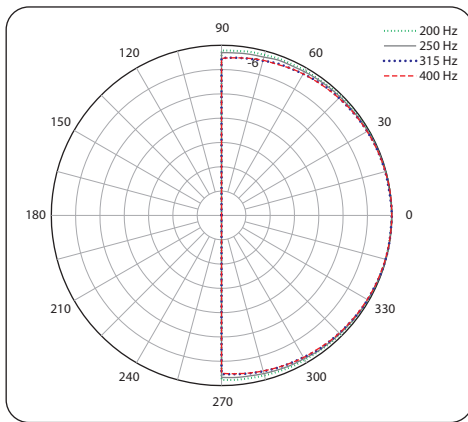


Install

CVS 4

4" Coaxial In-Ceiling Loudspeaker for Installation Applications

Polar Plots

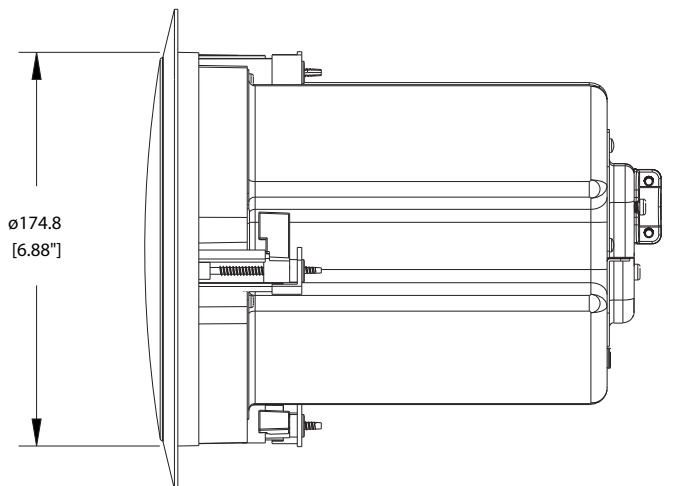
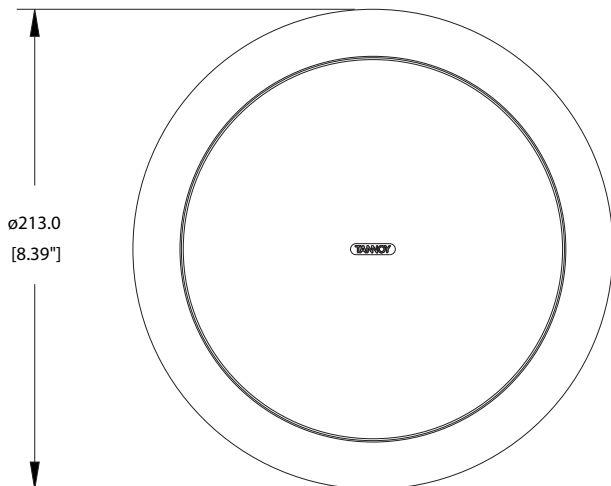
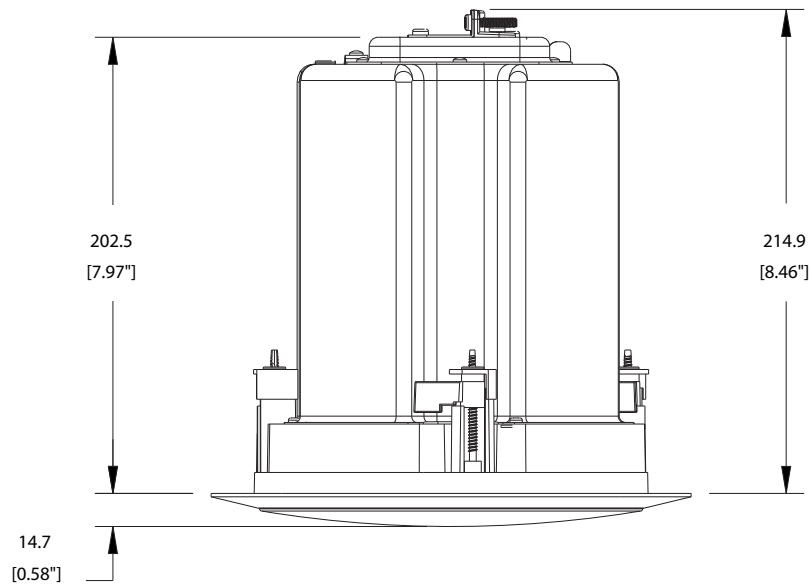


Install

CVS 4

4" Coaxial In-Ceiling Loudspeaker for Installation Applications

Dimensions



Install

CVS 4

4" Coaxial In-Ceiling Loudspeaker for Installation Applications

Technical Specifications

System

Frequency response (-3 dB) ¹	85 Hz - 19 kHz
Frequency response (-10 dB) ¹	77 Hz - 22 kHz
System Sensitivity (1 W @ 1 m) ²	87 dB (1 W = 2.45 V for 6 Ohms)
Nominal Coverage Angle	90 degrees conical
Coverage Angle (1 kHz to 6 kHz)	102 degrees
Directivity Factor (Q)	5.6 averaged 1 kHz to 6 kHz
Directivity Index (DI)	7.1 averaged 1 kHz to 6 kHz
Rated Maximum SPL	103 dB (average) 109 dB (peak)
Power Handling ³	
Average	40 W
Programme	80 W
Peak	160 W
Recommended Amplifier Power	80 W @ 6 Ohms
Nominal Impedance	6 Ohms
Transformer Taps (via front rotary switch)	
70 V	30 W / 15 W / 7.5 W / 3.75 W / OFF & low impedance operation
100 V	30 W / 15 W / 7.5 W / OFF & low impedance operation

Transducers

Low Frequency	100 mm (4.00") mineral loaded cone material
High Frequency	19 mm (0.75")

Physical

Enclosure	
Back can	Zinc plated steel Painted steel
Baffle	Reflex loaded UL 94V-0 rated ABS
Grille	Steel, with weather resistant coating
Safety Features	Safety ring located at rear of enclosure for load bearing safety bond
Clamping Design	Security toggle clamp

Back Can Options

Cable Entry Options	Cable clamp & squeeze connector for conduit up to 22 mm
Connectors	Removable locking connector with screw terminals with "loop through" facility
Safety Agency Ratings	UL-1480, UL-2043, CE
Hole Cutout Diameter	180 mm (7.08")
Dimensions Bezel diameter	213.0 mm (8.39")
Front of ceiling to rear of back can	98.3 mm (3.87")
Front of ceiling to top of safety loop	46.5mm (1.83")
Net Weight (ea)	3.6 kg (7.9 lbs)
Included Accessories	C Ring, tile bridge, paint mask, cutout template, grille
Optional Accessories	Plaster (mud) ring

Notes

(1) Average over stated Bandwidth. Measured in an IEC baffle in an Anechoic Chamber

(2) Unweighted Pink noise input, measured at 1 m on axis

(3) Long term power handling capacity as defined in EIA - 426B test

Install

CVS 4

4" Coaxial In-Ceiling Loudspeaker for
Installation Applications



Install

CVS 4

4" Coaxial In-Ceiling Loudspeaker for
Installation Applications



Install

CVS 4

4" Coaxial In-Ceiling Loudspeaker for
Installation Applications



Install

CVS 4

4" Coaxial In-Ceiling Loudspeaker for Installation Applications

MADE IN CHINA

SUSPENDING THIS SYSTEM SHOULD ONLY BE DONE BY QUALIFIED PERSONS FOLLOWING SAFE INSTALLATION STANDARDS

UL Type:G US 3PHS LISTED

CE

RoHS

WEEE

SPEAKER: CVS 4

WIRING	PASSIVE
1+ / 2-	INPUT
3- / 4+	LINK
INPUT	POWER
70 V LINE	3.75, 7.5, 15, 30 W
100 V LINE	7.5, 15, 30 W
6Ω	80 W PROGRAM

REFER TO INSTALLATION WIRING DIAGRAM IN QUICK START GUIDE

TANNOY

DESIGNED AND ENGINEERED IN THE U.K.



For service, support or more information contact the TANNNOY location nearest you:

Europe
MUSIC Tribe Brands UK Ltd.
 Tel: +44156 273 2290
 Email: CARECrea@music-group.com
 CAREEnte@music-group.com
 CARELife@music-group.com

USA/Canada
MUSIC Tribe Commercial NV Inc.
 Tel: +1 702 800 8290
 Email: CARECrea@music-group.com
 CAREEnte@music-group.com
 CARELife@music-group.com

Japan
MUSIC Tribe Services JP K.K.
 Tel: +81 3 6231 0453
 Email: CARECrea@music-group.com
 CAREEnte@music-group.com
 CARELife@music-group.com

MUSIC Tribe accepts no liability for any loss which may be suffered by any person who relies either wholly or in part upon any description, photograph, or statement contained herein. Technical specifications, appearances and other information are subject to change without notice. All trademarks are the property of their respective owners. MIDAS, KLARK TEKNIK, LAB GRUPPEN, LAKE, TANNNOY, TURBOSOUND, TC ELECTRONIC, TC HELICON, BEHRINGER, BUGERA and COOLAUDIO are trademarks or registered trademarks of MUSIC Group IP Ltd. © MUSIC Group IP Ltd. 2018 All rights reserved.

