

## Application data

Beam style	well-defined, flat field profile projection
Suitable for	medium / large scale theatre
Specification level	professional range
Beam angle	8° - 22°
Typical throw distance	10 - 35m / 33 - 115ft

## Electrical data

Supply Volts	120V AC single phase to ballast unit
Max. Lamp Watts	700W
Lamp base	G22
Auto-disconnect	double-pole microswitch
Cable/connection	2m / 6.6ft multicore cable to ballast, 2m / 6.6ft 3-core cable to bare ends
Standards Compliance	EN60598-2-17, CE marked

## Mechanical data

Paint/Finish	black epoxy powder paint
Lamp House Construction	extruded aluminium and sheet steel
Ballast	separate external unit (supplied) with on/off switch
Reflector	68mm / 2.68in diameter glass
Optical system	double condenser with variable zoom
Mounting & suspension	steel stirrup with 12mm/0.47in centre hole and DIN mounting. Spigot for ø28mm / 1.10in tube suppl.
Handle	one, covering side and rear of followspot
Weight/Packed weight	head: 19,4kg / 41lb net - 24,7kg / 53 lb packed ballast: 28kg / 61.7lb net - 31kg / 68.3lb packed
Overall dimensions	138in (w) x 385in (d) x 91in (h) max 170in (h)
Packed volume	0.204m <sup>3</sup> ballast: 0.049m <sup>3</sup>
Filter cut size	185 x 185mm / 7.28 x 7.28in
Accessory runners	3 slots, accessory
Colour frame	metal, 185 x 185mm/ 7.28 x 7.28in, accessory
Lamp access	lowering base
Lens access	sliding panels beneath lamp tube

## Operational data

Focus adjustment	slide zoom controls (dia/softness) at side
Lamp alignment	factory set
Beam Shaping	20-leaves iris included; shutters are accessories
Dimming	optical dimmer iris included
Positional adjustment	lever tilt clamp

## Lamp types

700W 5900K	Philips MSR 700 G22 1.000 hrs
700W 6000K	Philips MSD 700 G22 4.000 hrs
700W 7200K	Philips MSR 700/2 G22 1.000 hrs

## LDR recommends Philips lamps

## Accessories

Lamps	see above
Colour frame	20100106 Colour frame + runners 20109106
Spare iris diaphragm	20100707 Gobo holder, A/B size 20100807
Black tripod	20102401 Chrome plated tripod 20102402
5-colour colour changer	20105106 Spare spigot ø28mm 20102200
Stirrup-kit for suspension	20102900
Xpress-Follow, scroller kit	20657180 scroller/Colour Commander/cable
Flight case with braking wheels	20107080 for f.spot/ballast/col.chang./tripod

## Photometric data

Narrow focus		700 MSR								
Beam dia.	1.89	2.1	2.31	2.52	2.73	2.93	3.14	3.35	3.56m	
Beam dia.	6.20	6.89	7.58	8.27	8.96	9.61	10.30	10.99	11.68 ft	
lux	3507	2841	2348	1973	1681	1449	1263	1110	983	
Distance	59	66	72	79	85	92	98	105	112 ft	
Distance	18	20	22	24	26	28	30	32	34 m	

## Wide focus

Beam dia.	2.63	3.16	3.69	4.21	4.74	5.27	5.79	6.32	6.85m
Beam dia.	8.63	10.37	12.11	13.81	15.55	17.29	19.00	20.73	22.47 ft
lux	2727	1894	1391	1065	842	682	563	473	403
Distance	33	39	46	52	59	66	72	79	85 ft
Distance	10	12	14	16	18	20	22	24	26 m

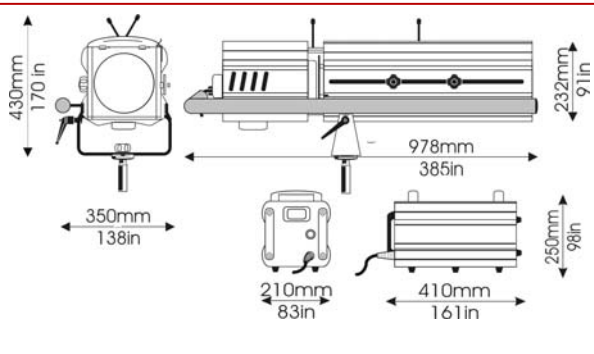
LUCI DELLA RIBALTA PROFESSIONAL LIGHTING PRODUCTS

# Canto® 700msd/msr MK2

## 120V 60Hz

### discharge followspot

part number: 11707180



For more power at middle distance throws, this 700W MSR or MSD-powered discharge followspot is the obvious choice. Canto® 700 has been completely re-engineered to offer the market an even wider and better set of features. A large, user-friendly side handle, new mechanics on the mechanical dimmer and a number of new features add to the existing specifications which have made Canto® a world-wide success.

An external ballast, iris, mechanical dimmer, spigot, colour frame and 2m mains cable are all included. Colour frame and a 5-colour colour changer are available as an optional extra.



Luci della Ribalta srl  
Via Berna 14  
46042 Castel Goffredo (MN), Italy  
tel: +39 0376 771777  
fax: +39 0376 772140  
[www.ldr.it](http://www.ldr.it) [info@ldr.it](mailto:info@ldr.it)

Issue: ap ©2006. LDR reserves the right to alter present specifications without prior notice.