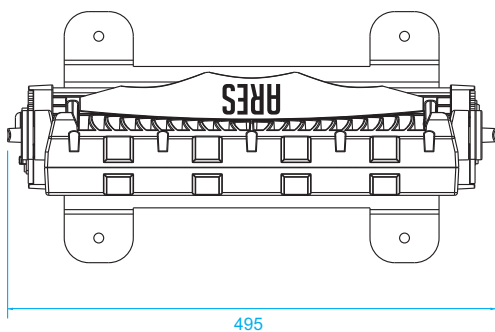
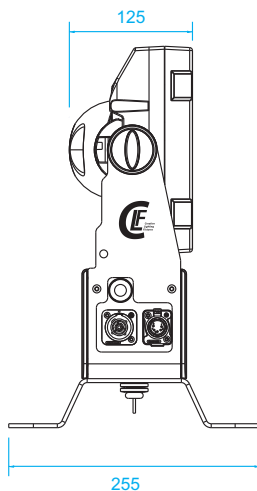
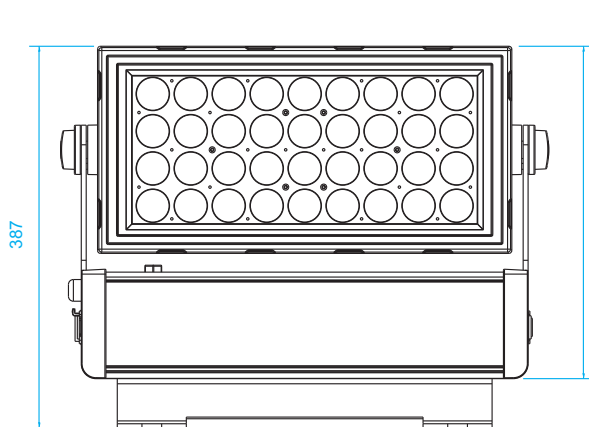


TABLE OF CONTENTS

| | |
|---|-----------|
| Dimensions | 1 |
| Safety Information | 2 |
| Fixture overview | 4 |
| Introduction | 5 |
| AC power | 5 |
| Power voltage | 5 |
| Power cables | 6 |
| Relaying power to other devices | 6 |
| Data link | 6 |
| Tips for reliable data transmission | 6 |
| Physical installation | 7 |
| Fastening the fixture to a flat surface | 7 |
| Setup | 8 |
| Control panel and menu navigation | 8 |
| DMX address setting | 8 |
| W-DMX Control | 8 |
| Control Mode | 9 |
| Calibration options | 10 |
| Auto Show | 10 |
| Master / Slave | 10 |
| Personality | 11 |
| Fans | 11 |
| Led power | 11 |
| Dimmer Speed | 11 |
| Key-Lock | 11 |
| W-DMX | 11 |
| Calibration | 11 |
| Refresh rate | 11 |
| LCD brightness | 11 |
| DMX Hold | 11 |
| Information | 11 |
| Software type | 11 |
| Usage time | 11 |
| Temperature | 11 |
| Factory reset | 11 |
| DMX protocols | 12 |
| Onboard control menus | 23 |
| Blow-out Diagram | 24 |
| Specifications | 25 |

DIMENSIONS

ALL DIMENSIONS ARE IN MILLIMETERS



SAFETY INFORMATION



WARNING!

Read the safety precautions in this section before installing, powering, operating or servicing this product

The following symbols are used to identify important safety information on the product and in this manual:



DANGER!
Safety hazard.
Risk of severe injury or death.



DANGER!
Hazardous voltage. Risk of lethal or severe electric shock.



WARNING!
Fire hazard.



WARNING!
LED light emission. Risk of eye injury.



WARNING!
Burn hazard. Hot surface. Do not touch.



WARNING!
Wear protective eyewear.



WARNING!
Refer to user manual.



Warning! Risk Group 3 (high risk) LED product according to EN 62471. Do not look into the beam at a distance of less than 3 meters from the front surface of the product. Do not view the light output with optical instruments or any device that may concentrate the beam.

This product is for professional use only. It is not for household use.



This product presents risks of severe injury or death due to fire and burn hazards, electric shock and falls.

Read this manual before installing, powering or servicing the fixture, follow the safety precautions listed below and observe all warnings in this manual and printed on the fixture. If you have questions about how to operate the fixture safely, please contact your supplier.



PROTECTION FROM ELECTRIC SHOCK

- Disconnect the fixture from AC power before removing or installing any cover or part and when not in use.
- Always ground (earth) the fixture electrically.
- Use only a source of AC power that complies with local building and electrical codes and has both overload and ground-fault (earth-fault) protection.
- Before using the fixture, check that all power distribution equipment and cables are in perfect condition and rated for the current requirements of all connected devices.
- Power input and through put cables must be rated 20A minimum, have three conductors 1.5 mm² (16 AWG) minimum conductor size and an outer cable diameter of 5 - 15 mm. Cables must be hard usage type (SJT or equivalent) and heat-resistant to 90° C minimum.
- Use only PowerCON TRUE 1[®] cable connectors to connect to power input sockets. Use only PowerCON TRUE 1[®] cable connectors to connect to power through put sockets.
- Isolate the fixture from power immediately if the power plug or any seal, cover, cable, or other component is damaged, defective, deformed, wet or showing signs of overheating. Do not reapply power until repairs have been completed.



DO NOT EXPOSE THE FIXTURE TO RAIN OR MOISTURE

- Refer any service operation not described in this manual to a qualified technician.
- Socket outlets used to supply the fixture with power or external power switches must be located near the fixtures and easily accessible so that the fixtures can easily be disconnected from power.

PROTECTION FROM BURNS AND FIRE



- Do not operate the fixture if the ambient temperature (T_a) exceeds 40°C.
- The exterior of the fixture becomes hot during use. Avoid contact by persons and materials. Allow the fixture to cool for at least 10 minutes before handling.
- Keep all combustible materials (e.g. fabric, wood, paper) at least 100 mm away from the fixture.
- Keep flammable materials well away from the fixture.



- Ensure that there is free and unobstructed airflow around the fixture.
- Do not illuminate surfaces within 200 mm of the fixture.
- Do not attempt to bypass thermostatic switches or fuses.
- If you relay power from one fixture to another using power throughput sockets, do not connect more than ten the fixture in total to each other in an interconnected chain.
- Connect only other the fixture to fixture power throughput sockets. Do not connect any other type of device to these sockets.
- Do not connect any other type of device to these sockets.
- Do not stick filters, masks or other materials to any optical component, besides the optional CLF Ares filters.
- Do not modify the fixture in any way not described in this manual.
- Do not use fixture on a dimmer.

PROTECTION FROM INJURY



- Do not look continuously at LEDs from a distance of less than 3 meters from the front surface of the fixture without protective eyewear such as shade 4-5 welding goggles. At less than this distance, the LED emission can cause eye injury or irritation. At distances of 3 meters and above, light output is harmless to the naked eye provided that the eye's natural aversion response is not overcome.

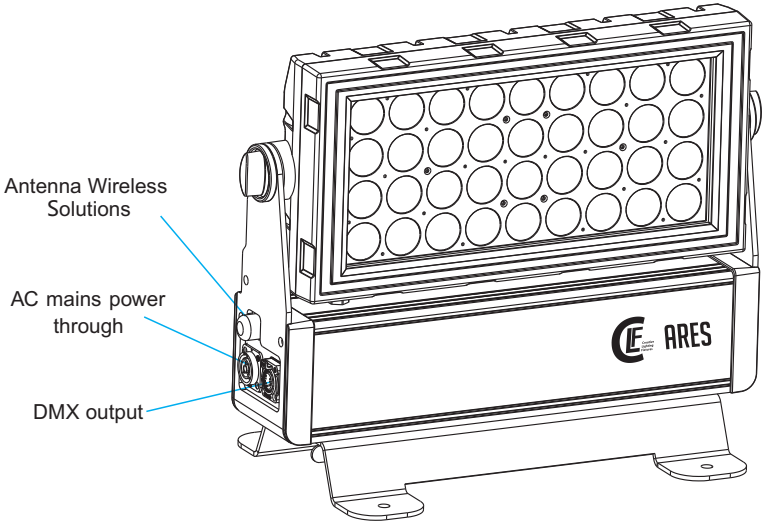
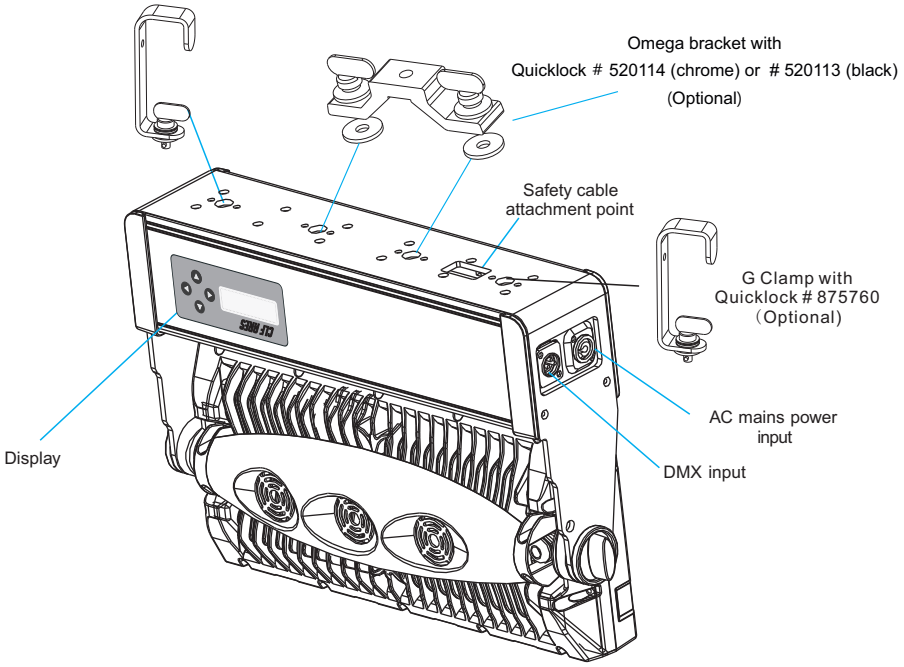


- Do not look at LEDs with magnifiers, telescopes, binoculars or similar optical instruments that may concentrate the light output.
- Ensure that persons are not looking at the LEDs from within 3 meters when the product lights up suddenly. This can happen when power is applied, when the product receives a DMX signal, or when SERVICE menu items are selected.



- Fasten the fixture securely to a fixed surface or structure when in use.
- Ensure that any supporting structure and/or hardware used can hold at least 10 times the weight of all the devices they support.
- Allow enough clearance around the fixture to ensure that it cannot collide with an object or another fixture when it moves.
- Check that all external covers and rigging hardware are fastened securely.
- Block access below the work area and work from a stable platform whenever installing, servicing or moving the fixture.
- Do not operate the fixture with missing or damaged covers, shields or any optical component.

FIXTURE OVERVIEW



INTRODUCTION

SUPERIOR LED WASH

4 INDIVIDUALLY CONTROLLABLE SEGMENTS

- Adjustable beam angle several options available (for example 36° and 54°)
- Designed for multiple applications
- Deep and saturated colors
- Flicker free operation
- Solid housing
- Wireless DMX



USING FOR THE FIRST TIME

Warning! Read “Safety Information” on page 2 before installing, powering, operating or servicing the fixture. Before applying power to the fixture:

- Check that the local AC mains power source is within the fixture’s power voltage and frequency ranges.
- See “Power cables and power plug” on page 6. Install a PowerCON TRUE 1[®] power input connector on a suitable power cable.

AC POWER



Warning! Read “Safety Information” starting on page 2 before connecting the fixtures to AC mains power.

Warning! For protection from electric shock, the fixture must be grounded (earthed). The power distribution circuit must be equipped with a fuse or circuit breaker and ground-fault (earth-fault) protection.



Warning! Socket outlets or external power switches used to supply the fixture with power must be located near the fixture and easily accessible so that the fixtures can easily be disconnected from power.

Important! Do not insert or remove live PowerCON TRUE 1[®] connectors to apply or cut power, as this may cause arcing at the terminals that will damage the connectors.

Important! Do not use an external dimming system to supply power to the fixture, as this may cause damage to the fixture that is not covered by the product warranty.



POWER VOLTAGE

Warning! Check that the voltage range specified on the fixtures serial number label matches the local AC mains power voltage before applying power to the fixture.

The fixtures accepts AC mains power at 100-240 V nominal, 50/60 Hz. Do not apply AC mains power to the fixture at any other voltage than specified.

POWER CABLES

Power input and throughput cables must be rated 20A minimum, have three conductors 1.5 mm² (16 AWG) minimum conductor size and an outer cable diameter of 5 - 15 mm. Cables must be hard usage type (SJT or equivalent) and heat-resistant to 90°C minimum. In the EU the cable must be HAR approved or equivalent.

If you install a power plug on the power cable, install a grounding-type (earthed) plug that is rated 20A minimum. Follow the plug manufacturer's instructions. Table 1 shows standard wire color-coding schemes and some possible pin identification schemes; if pins are not clearly identified.



| Wire Color (EU models) | Wire Color (US models) | Conductor | Symbol | Screw (US) |
|------------------------|------------------------|----------------|--|-----------------|
| Brown | Black | Live | L | Yellow or Brass |
| Blue | White | Neutral | N | Silver |
| Yellow/Green | Green | Ground (earth) |  or  | Green |

Table 1 : Wire color-coding and power connections

RELAYING POWER TO OTHER DEVICES

Warning! Do not connect more than ten fixtures in total to AC mains power in one interconnected chain. Power can be relayed to another device via the PowerCON TRUE 1[®] throughput socket.

If you daisy chain the fixtures in a chain so that they all draw AC mains power via the first fixture, certain points must be respected:

- A heavy duty, three-conductor, 16 AWG or 1.5 mm² cable with SJT or equivalent cable jacket must be used to connect the first fixture to AC mains power.
- PowerCON TRUE 1[®] connectors must be used to draw AC mains power from the fixtures power throughput sockets and yellow PowerCON TRUE 1[®] connectors must be used to supply power at the fixture's power input sockets.

DATA LINK

DMX 512 data is required in order to control a fixture via DMX. The fixture has 3-pin XLR connectors for DMX data input and output. The pin-out on all connectors is pin 1 = shield, pin 2 = cold (-), and pin 3 = hot (+).

TIPS FOR RELIABLE DATA TRANSMISSION

To connect the fixture to data:

1. Connect the DMX data output from the controller to the 3-pin XLR connector of the nearest fixture.
2. Connect the DMX output of the fixture closest to the controller to the DMX input of the next fixture and continue connecting fixtures output to input.

PHYSICAL INSTALLATION

Warning! The fixture must be either fastened to a flat surface such as a stage or wall, or clamped to a truss or similar structure in any orientation using a rigging clamp.

Warning! If the fixture can cause injury or damage if it falls, attach an approved safety cable to one of the safety cable attachment points on the base (see "Fixture overview" on page 4).

Check that all surfaces to be illuminated are minimum 200 mm. from the fixture, that combustible materials (wood, fabric, paper, etc.) are located at least 100 mm. from the fixture, that there is free airflow around the fixture and that there are no flammable materials nearby.

FASTENING THE FIXTURE TO A FLAT SURFACE

The fixture can be fastened to a fixed flat surface that is oriented at any angle. Check that the surface can support at least 10 times the weight of all fixtures and equipment to be installed on it.



Warning! The supporting surface must be hard and flat or air vents in the base may be blocked, which will cause overheating. Fasten the fixture securely. Do not place the fixture on a surface or leave it where it can be moved or can fall over. Attach a securely anchored safety cable to the safety cable attachment point (see "Fixture overview" on page 4) if the fixture is to be installed in any location where it may fall and cause injury or damage if the primary attachment fails.

1. Block access under the work area. Working from a stable platform, hang the fixture on the truss. Tighten the rigging clamp.
2. Secure the fixture against clamp failure with a secondary attachment such as an approved safety cable that is rated for the weight of the fixture using one of the attachment points at the edges of the base (see "Fixture overview" on page 4). Do not use any other part of the fixture as a safety cable attachment point.

SETUP

Warning! Read "Safety Information" on page 2 before installing, powering, operating the fixture.

CONTROL PANEL AND MENU NAVIGATION

The onboard control panel and backlit graphic display are used to set the fixture's DMX address, configure individual fixture settings (personality), read out data and execute service utilities. See "Onboard control menus" on page 23 for a complete list of menus and commands.

Using the control buttons

- To enter the menu select [MODE].
- Press [UP] and [DOWN] to scroll within a menu or adjust values.
- To enter a menu, select a function or apply a selection, press [ENTER].
- To escape a function or move back one level in the menu structure, press [MODE].
- Holding down the "UP" and "DOWN" button for more than 3 seconds, the MENU display will rotate 180°.



DMX ADDRESS SETTING

The DMX address, also known as the start channel, is the first channel used to receive instructions from the controller. For independent control, each fixture must be assigned its to a separate channel .

The DMX address can be configured by using the DMX ADDRESS menu in the control panel. For setting the DMX address press [ENTER] before you can change the address.

- The main screen will show a 'dot' and the backlight will be switched off when a DMX signal is detected.

W-DMX CONTROL

Go to the W-DMX section in the main menu, press the button "UP" to switch off Wireless DMX or disconnect with all connected Transmitters.

Press the button "DOWN" to set the unit in the "ready to connect with all not connected transmitters" mode. If you press the mode button on the Wireless solution transmitter all the units in this mode will be connected.

If the unit is successfully connected in the home display the sign "▲ : V " appears. If the unit is not connected to a transmitter in the home display the sign "▲ : X ". If the unit is switched off in the home display the sign "▲ : OFF ".

- Holding the **MENU** and **ENTER** button for more than 3 seconds, the wireless board will reset.
- Do not use Wireless DMX and Wired DMX at the same time because it will give unwanted interference

CONTROL MODE

DMX control mode is selected in the CONTROL MODE menu. The fixture can be controlled with 7 DMX control modes:

| | 4ch | 9ch | 11ch | 16ch | 21ch | 27ch | 30ch |
|---------------------------|-----|-----|------|------|------|------|------|
| RGBW | ✓ | ✓ | ✓ | | | ✓ | |
| Strobe | | ✓ | ✓ | | ✓ | ✓ | ✓ |
| Dimmer | | ✓ | ✓ | | ✓ | ✓ | ✓ |
| Function set | | ✓ | ✓ | | ✓ | ✓ | ✓ |
| Macro color | | ✓ | ✓ | | | ✓ | ✓ |
| CCT | | ✓ | ✓ | | | ✓ | |
| LED block (Dimmer) | | | | | | | ✓ |
| LED block (RGBW) | | | | ✓ | ✓ | ✓ | ✓ |
| LED block (Dimmer speed) | | | | | | | ✓ |
| Effect | | | ✓ | | ✓ | ✓ | ✓ |
| Dimmer / Auto speed | | | ✓ | | ✓ | ✓ | ✓ |

CALIBRATION OPTIONS

There are three options for Static color:

1. NO CALIBRATION

Color calibration mode is off.

2. MANUAL

Manual calibration mode, RGBW to white is according your custom calibration.
Manual calibration can be calibrated by the control panel and DMX channel.

Calibrate by control panel

1. Press MODE button until **【MANUAL】** is displayed, press ENTER
2. Enter the password
3. Set **【Red,Green,Blue】** to white by custom calibration

Calibrate by DMX channel

channel 3 is set to 245-249 to enter dmx controller calibration

| Channel | Function | Value | Setting |
|---------|--------------------------|---|--|
| 1 | No function | 000 - 255 | |
| 2 | No function | 000 - 255 | |
| 3 | No function | 000 - 255 | |
| 4 | Calibrate by DMX channel | 000 - 229 230 - 234 240 - 244 245 - 249 250 - 255 | No function come back to DMX mode No function turn on manual calibration mode by dmx control Illuminate display Value must be held for 3 seconds to activate. |
| 5 | Save Correction | 000 - 254 255 | No function Save Correction, Value must be held for 3 seconds to activate. |
| 6 | Red | 000 - 255 | 0 - 100% |
| 7 | Green | 000 - 255 | 0 - 100% |
| 8 | Blue | 000 - 255 | 0 - 100% |
| 9 | White | 000 - 255 | 0 - 100% |

3. FACTORY CALIBRATION MODE

Fixture is calibrated in the factory by radiant machine.

AUTO SHOW

The auto function gives 20 automatically RGBW color combinations which are running without any DMX console.
Hit [ENTER] to adjust the speed of the program from 1-20

| | | | |
|-----------|-------------|-------------|---------------------|
| 1) Auto 1 | 6) Auto 6 | 11) Auto 11 | 16) Auto 16 |
| 2) Auto 2 | 7) Auto 7 | 12) Auto 12 | 17) Auto 17 |
| 3) Auto 3 | 8) Auto 8 | 13) Auto 13 | 18) Auto 18 |
| 4) Auto 4 | 9) Auto 9 | 14) Auto 14 | 19) Auto 19 |
| 5) Auto 5 | 10) Auto 10 | 15) Auto 15 | 20) Auto 1-19 cycle |

MASTER/SLAVE

You can choose between master or slave functioning. The chosen mode is visible in the homescreen. The fixture will automatically go to slave function when no DMX signal is offered.

PERSONALITY

Here you can set all functions for the fixture.

| | |
|----------------|---|
| FANS | Cooling fan speed regulated Three level of silent mode to control the output Max. cooling fan speed |
| Led power | High (High output mode) Normal (Normal output mode) Theater (Gentle output mode) |
| Dimmer Speed | Normal (normal dimming speed) Smooth (slowest dimming speed) |
| KEY-Lock | Locks all the button functions. Standard unlocking password is (MODE+UP+MODE+DOWN+MODE+UP+MODE+DOWN+ENTER) |
| W-DMX | ON (Turn on the Wireless Board) OFF (Turn off the Wireless Board) RESET (Reset the Wireless Board) |
| CALIBRATION | NO CALIBRATION = Color calibration mode off. MANUAL = Manual calibration mode, RGBW to white is custom calibration FACTORY = Factory calibration mode, RGBW to white is factory calibration |
| Refresh rate | Controls the Flicker frequency of the fixture 600 1200 2400 4800 |
| LCD brightness | Set the LCD display brightness(1-10) |
| DMX HOLD | DMX HOLD = The fixture will remember on last values when you disconnect DMX NO DMX HOLD = The fixture has no output when you disconnect DMX |

INFORMATION

| | |
|---------------|---|
| Software type | Shows software version (Vx.x) |
| Usage time | Use of time and use time reset (password) |
| Temperature | LED board current temperature |

FACTORY RESET

Resets the fixture to its factory default settings.

Please reboot power before reset takes effect.

DMX PROTOCOLS

| 4 CH | Function | Value | Setting | Remark |
|------|----------|-----------|---------|--------|
| 1 | Red | 000 - 255 | 0-100% | |
| 2 | Green | 000 - 255 | 0-100% | |
| 3 | Blue | 000 - 255 | 0-100% | |
| 4 | White | 000 - 255 | 0-100% | |

| 9 CH | Function | Value | Setting | Remark |
|-----------|--|------------------------|--|---|
| 1 | Shutter | 000 - 019 | Shutter closed | |
| | | 020 - 024 | Shutter open | |
| | | 025 - 064 | Strobe 1 (fast → slow) | |
| | | 065 - 069 | Shutter open | |
| | | 070 - 0 84 | Strobe 2: opening pulse (fast → slow) | |
| | | 085 - 089 | Shutter open | |
| | | 090 - 104 | Strobe 3: closing pulse (fast → slow) | |
| | | 105 - 109 | Shutter open | |
| | | 110 - 124 | Strobe 4: random strobe (fast → slow) | |
| | | 125 - 129 | Shutter open | |
| | | 130 - 144 | Strobe 5: random opening pulse (fast → slow) | |
| | | 145 - 149 | Shutter open | |
| | | 150 - 164 | Strobe 6: random closing pulse (fast → slow) | |
| | | 165 - 169 | Shutter open | |
| | | 170 - 184 | Strobe 7: burst pulse (fast → slow) | |
| 185 - 189 | Shutter open | | | |
| 190 - 204 | Strobe 8: random burst pulse (fast → slow) | | | |
| 205 - 209 | Shutter open | | | |
| 210 - 224 | Strobe 9: sine wave (fast → slow) | | | |
| 225 - 229 | Shutter open | | | |
| 230 - 244 | Strobe 10: burst (fast → slow) | | | |
| 245 - 255 | Shutter open | | | |
| 2 | Dimmer | 000 - 255 | 0 - 100% | |
| 3 | Fixture control settings | 000 - 039 | No function | ¹ Value must be held for 3 seconds to activate. ² Please refer the page 10. (calibrate by DMX control) Value must be held for 3 seconds to activate. |
| | | 040 - 044 | SILENT MODE (level 1)-70% fan speed ¹ | |
| | | 045 - 049 | SILENT MODE (level 2)-40% fan speed ¹ | |
| | | 050 - 054 | SILENT MODE (level 3)-20% fan speed ¹ | |
| | | 055 - 059 | No function | |
| | | 060 - 064 | Fan mode FULL ¹ | |
| | | 065 - 069 | Fan mode REGULATED ¹ | |
| | | 070 - 074 | Fan mode SILENT ¹ | |
| | | 075 - 089 | No function | |
| | | 090 - 094 | Calibrated color output mode- COLOR CALIB = ON ¹ | |
| | | 095 - 099 | Manual calibration output mode -Manual calibration = ON ¹ | |
| | | 100 - 104 | Raw color output mode- COLOR CALIB = OFF ¹ | |
| | | 105 - 109 | No function | |
| | | 110 - 114 | Normal dimming, speed of changes unrestricted ¹ | |
| | | 115 - 119 | No function | |
| | | 120 - 124 | Smooth dimming, speed of changes restricted slightly ¹ | |
| | | 125 - 129 | No function | |
| | | 130 - 134 | 600 Hz Refresh rate | |
| | | 135 - 139 | 1200Hz Refresh rate | |
| | | 140 - 144 | 2400Hz Refresh rate | |
| | | 145 - 149 | 4800Hz Refresh rate | |
| | | 150 - 154 | No Function | |
| | | 155 - 159 | WDMX - ON ¹ | |
| | | 160 - 164 | No Function | |
| | | 165 - 169 | WDMX - OFF ¹ | |
| 170 - 174 | No Function | | | |
| 175 - 179 | WDMX - RESET ¹ | | | |
| 180 - 184 | No Function | | | |
| 185 - 189 | Led power(Normal mode) ¹ | | | |
| 190 - 194 | Led power(Theater mode) ¹ | | | |
| 195 - 199 | Led power(High mode) ¹ | | | |
| 200 - 239 | No Function | | | |
| 240 - 244 | DMX Manual calibration mode ² | | | |
| 245 - 249 | No Function | | | |
| 250 - 255 | illuminate display | | | |
| 4 | Macro color | 000 - 004 005 - 255 | No Function Macro color rotation effect | |
| 5 | Red | 000 - 255 | 0 - 100% | |
| 6 | Green | 000 - 255 | 0 - 100% | |
| 7 | Blue | 000 - 255 | 0 - 100% | |
| 8 | White | 000 - 255 | 0 - 100% | |
| 9 | CCT | 000 - 009 010 - 255 | No function 10000K - 2500K | |

| 11 CH | Function | Value | Setting | Remark |
|-----------|--|-----------|--|---|
| 1 | Shutter | 000 - 019 | Shutter closed | |
| | | 020 - 024 | Shutter open | |
| | | 025 - 064 | Strobe 1 (fast → slow) | |
| | | 065 - 069 | Shutter open | |
| | | 070 - 084 | Strobe 2: opening pulse (fast → slow) | |
| | | 085 - 089 | Shutter open | |
| | | 090 - 104 | Strobe 3: closing pulse (fast → slow) | |
| | | 105 - 109 | Shutter open | |
| | | 110 - 124 | Strobe 4: random strobe (fast → slow) | |
| | | 125 - 129 | Shutter open | |
| | | 130 - 144 | Strobe 5: random opening pulse (fast → slow) | |
| | | 145 - 149 | Shutter open | |
| | | 150 - 164 | Strobe 6: random closing pulse (fast → slow) | |
| | | 165 - 169 | Shutter open | |
| | | 170 - 184 | Strobe 7: burst pulse (fast → slow) | |
| 185 - 189 | Shutter open | | | |
| 190 - 204 | Strobe 8: random burst pulse (fast → slow) | | | |
| 205 - 209 | Shutter open | | | |
| 210 - 224 | Strobe 9: sine wave (fast → slow) | | | |
| 225 - 229 | Shutter open | | | |
| 230 - 244 | Strobe 10: burst (fast → slow) | | | |
| 245 - 255 | Shutter open | | | |
| 2 | Dimmer | 000 - 255 | 0 - 100% | |
| 3 | Fixture control settings | 000 - 039 | No function | ¹ Value must be held for 3 seconds to activate. ² Please refer the page 10. (calibrate by DMX control) Value must be held for 3 seconds to activate. |
| | | 040 - 044 | SILENT MODE (level 1)-70% fan speed ¹ | |
| | | 045 - 049 | SILENT MODE (level 2)-40% fan speed ¹ | |
| | | 050 - 054 | SILENT MODE (level 3)-20% fan speed ¹ | |
| | | 055 - 059 | No function | |
| | | 060 - 064 | Fan mode FULL ¹ | |
| | | 065 - 069 | Fan mode REGULATED ¹ | |
| | | 070 - 074 | Fan mode SILENT ¹ | |
| | | 075 - 089 | No function | |
| | | 090 - 094 | Calibrated color output mode- COLOR CALIB = ON ¹ | |
| | | 095 - 099 | Manual calibration output mode -Manual calibration = ON ¹ | |
| | | 100 - 104 | Raw color mode- COLOR CALIB = OFF ¹ | |
| | | 105 - 109 | No function | |
| | | 110 - 114 | Normal dimming, speed of changes unrestricted ¹ | |
| | | 115 - 119 | No function | |
| | | 120 - 124 | Smooth dimming, speed of changes restricted slightly ¹ | |
| | | 125 - 129 | No function | |
| | | 130 - 134 | 600 Hz Refresh rate | |
| | | 135 - 139 | 1200Hz Refresh rate | |
| | | 140 - 144 | 2400Hz Refresh rate | |
| | | 145 - 149 | 4800Hz Refresh rate | |
| | | 150 - 154 | No Function | |
| | | 155 - 159 | WDMX - ON ¹ | |
| | | 160 - 164 | No Function | |
| | | 165 - 169 | WDMX - OFF ¹ | |
| 170 - 174 | No Function | | | |
| 175 - 179 | WDMX - RESET ¹ | | | |
| 180 - 184 | No Function | | | |
| 185 - 189 | Led power(Normal mode) ¹ | | | |
| 190 - 194 | Led power(Theater mode) ¹ | | | |
| 195 - 199 | Led power(High mode) ¹ | | | |
| 200 - 239 | No Function | | | |
| 240 - 244 | DMX Manual calibration mode ² | | | |
| 245 - 249 | No Function | | | |
| 250 - 255 | illuminate display | | | |
| 4 | Macro color | 000 - 004 | No Function | |
| | | 005 - 255 | Macro color rotation effect | |
| 5 | Red | 000 - 255 | 0 - 100% | |
| 6 | Green | 000 - 255 | 0 - 100% | |
| 7 | Blue | 000 - 255 | 0 - 100% | |
| 8 | White | 000 - 255 | 0 - 100% | |

| 11 CH | Function | Value | Setting | Remark |
|-------|--------------|---|---|--------|
| 9 | CCT | 000 - 009 010 - 255 | No function 10000K - 2500K | |
| 10 | Auto program | 000 - 009 010 - 019 020 - 029 030 - 039 040 - 049 050 - 059 060 - 069 070 - 079 080 - 089 090 - 099 100 - 109 110 - 119 120 - 129 130 - 139 140 - 149 150 - 159 160 - 169 170 - 179 180 - 189 190 - 199 200 - 255 | No function Auto program 1 Auto program 2 Auto program 3 Auto program 4 Auto program 5 Auto program 6 Auto program 7 Auto program 8 Auto program 9 Auto program 10 Auto program 11 Auto program 12 Auto program 13 Auto program 14 Auto program 15 Auto program 16 Auto program 17 Auto program 18 Auto program 19 Auto program 20(Auto program 1-19 cycle) | |
| 11 | Speed | 000 1-255 | No function AUTO Speed or Dimmer Speed | |

| 16 CH | Function | Value | Setting | Remark |
|-------|----------------------|-----------|---------|--------|
| 1 | LED block 1 -Red 1 | 000 - 255 | 0-100% | |
| 2 | LED block 1 -Green 1 | 000 - 255 | 0-100% | |
| 3 | LED block 1 -Blue 1 | 000 - 255 | 0-100% | |
| 4 | LED block 1 -White 1 | 000 - 255 | 0-100% | |
| 5 | LED block 2 -Red 2 | 000 - 255 | 0-100% | |
| 6 | LED block 2 -Green 2 | 000 - 255 | 0-100% | |
| 7 | LED block 2 -Blue 2 | 000 - 255 | 0-100% | |
| 8 | LED block 2 -White 2 | 000 - 255 | 0-100% | |
| 9 | LED block 3 -Red 3 | 000 - 255 | 0-100% | |
| 10 | LED block 3 -Green 3 | 000 - 255 | 0-100% | |
| 11 | LED block 3 -Blue 3 | 000 - 255 | 0-100% | |
| 12 | LED block 3 -White 3 | 000 - 255 | 0-100% | |
| 13 | LED block 4 -Red 4) | 000 - 255 | 0-100% | |
| 14 | LED block 4 -Green 4 | 000 - 255 | 0-100% | |
| 15 | LED block 4 -Blue 4 | 000 - 255 | 0-100% | |
| 16 | LED block 4 -White 4 | 000 - 255 | 0-100% | |

| 21 CH | Function | Value | Setting | Remark |
|-----------|--|-----------|---|--|
| 1 | Shutter | 000 - 019 | Shutter closed | |
| | | 020 - 024 | Shutter open | |
| | | 025 - 064 | Strobe 1 (fast → slow) | |
| | | 065 - 069 | Shutter open | |
| | | 070 - 084 | Strobe 2: opening pulse (fast → slow) | |
| | | 085 - 089 | Shutter open | |
| | | 090 - 104 | Strobe 3: closing pulse (fast → slow) | |
| | | 105 - 109 | Shutter open | |
| | | 110 - 124 | Strobe 4: random strobe (fast → slow) | |
| | | 125 - 129 | Shutter open | |
| | | 130 - 144 | Strobe 5: random opening pulse (fast → slow) | |
| | | 145 - 149 | Shutter open | |
| | | 150 - 164 | Strobe 6: random closing pulse (fast → slow) | |
| | | 165 - 169 | Shutter open | |
| | | 170 - 184 | Strobe 7: burst pulse (fast → slow) | |
| | | 185 - 189 | Shutter open | |
| 190 - 204 | Strobe 8: random burst pulse (fast → slow) | | | |
| 205 - 209 | Shutter open | | | |
| 210 - 224 | Strobe 9: sine wave (fast → slow) | | | |
| 225 - 229 | Shutter open | | | |
| 230 - 244 | Strobe 10: burst (fast → slow) | | | |
| 245 - 255 | Shutter open | | | |
| 2 | Dimmer | 000 - 255 | 0 - 100% | |
| 3 | Fixture control settings | 000 - 039 | No function | 1 Value must be held for 3 seconds to activate. |
| | | 040 - 044 | SILENT MODE (level 1)-70% fan speed ¹ | |
| | | 045 - 049 | SILENT MODE (level 2)-40% fan speed ¹ | 2 Please refer the page 10. (calibrate by DMX control) Value must be held for 3 seconds to activate. |
| | | 050 - 054 | SILENT MODE (level 3)-20% fan speed ¹ | |
| | | 055 - 059 | No function | |
| | | 060 - 064 | Fan mode FULL ¹ | |
| | | 065 - 069 | Fan mode REGULATED ¹ | |
| | | 070 - 074 | Fan mode SILENT ¹ | |
| | | 075 - 089 | No function | |
| | | 090 - 094 | Calibrated color output mode- COLOR CALIB = ON ¹ | |
| | | 095 - 099 | Manual calibration output mode - Manual calibration = ON ¹ | |
| | | 100 - 104 | Raw color mode- COLOR CALIB = OFF ¹ | |
| | | 105 - 109 | No function | |
| | | 110 - 114 | Normal dimming, speed of changes unrestricted ¹ | |
| | | 115 - 119 | No function | |
| | | 120 - 124 | Smooth dimming, speed of changes restricted slightly ¹ | |
| | | 125 - 129 | No function | |
| | | 130 - 134 | 600 Hz Refresh rate | |
| | | 135 - 139 | 1200Hz Refresh rate | |
| | | 140 - 144 | 2400Hz Refresh rate | |
| | | 145 - 149 | 4800Hz Refresh rate | |
| | | 150 - 154 | No Function | |
| | | 155 - 159 | WDMX - ON ¹ | |
| 160 - 164 | No Function | | | |
| 165 - 169 | WDMX - OFF ¹ | | | |
| 170 - 174 | No Function | | | |
| 175 - 179 | WDMX - RESET ¹ | | | |
| 180 - 184 | No Function | | | |
| 185 - 189 | Led power(Normal mode) ¹ | | | |
| 190 - 194 | Led power(Theater mode) ¹ | | | |
| 195 - 199 | Led power(High mode) ¹ | | | |
| 200 - 239 | No Function | | | |
| 240 - 244 | DMX Manual calibration mode ² | | | |
| 245 - 249 | No Function | | | |
| 250 - 255 | illuminate display | | | |
| 4 | Red 1 | 000 - 255 | LED block 1 - Red 1 (0-100%) | |
| 5 | Green 1 | 000 - 255 | LED block 1 - Green 1 (0-100%) | |
| 6 | Blue 1 | 000 - 255 | LED block 1 - Blue 1 (0-100%) | |
| 7 | White 1 | 000 - 255 | LED block 1 - White 1 (0-100%) | |
| 8 | Red 2 | 000 - 255 | LED block 2 - Red 2 (0-100%) | |

| 21 CH | Function | Value | Setting | Remark |
|-----------|--|--------------|---|--------|
| 9 | Green 2 | 000 - 255 | LED block 2 - Green 2 (0-100%) | |
| 10 | Blue 2 | 000 - 255 | LED block 2 - Blue 2 (0-100%) | |
| 11 | White 2 | 000 - 255 | LED block 2 - White 2 (0-100%) | |
| 12 | Red 3 | 000 - 255 | LED block 3 - Red 3 (0-100%) | |
| 13 | Green 3 | 000 - 255 | LED block 3 - Green 3 (0-100%) | |
| 14 | Blue 3 | 000 - 255 | LED block 3 - Blue 3 (0-100%) | |
| 15 | White 3 | 000 - 255 | LED block 3 - White 3 (0-100%) | |
| 16 | Red 4 | 000 - 255 | LED block 4 - Red 4 (0-100%) | |
| 17 | Green 4 | 000 - 255 | LED block 4 - Green 4 (0-100%) | |
| 18 | Blue 4 | 000 - 255 | LED block 4 - Blue 4 (0-100%) | |
| 19 | White 4 | 000 - 255 | LED block 4 - White 4 (0-100%) | |
| 20 | Auto program | 000 - 009 | No function | |
| | | 010 - 019 | Auto program 1 | |
| | | 020 - 029 | Auto program 2 | |
| | | 030 - 039 | Auto program 3 | |
| | | 040 - 049 | Auto program 4 | |
| | | 050 - 059 | Auto program 5 | |
| | | 060 - 069 | Auto program 6 | |
| | | 070 - 079 | Auto program 7 | |
| | | 080 - 089 | Auto program 8 | |
| | | 090 - 099 | Auto program 9 | |
| | | 100 - 109 | Auto program 10 | |
| | | 110 - 119 | Auto program 11 | |
| | | 120 - 129 | Auto program 12 | |
| | | 130 - 139 | Auto program 13 | |
| | | 140 - 149 | Auto program 14 | |
| | | 150 - 159 | Auto program 15 | |
| | | 160 - 169 | Auto program 16 | |
| | | 170 - 179 | Auto program 17 | |
| | | 180 - 189 | Auto program 18 | |
| 190 - 199 | Auto program 19 | | | |
| 200 - 255 | Auto program 20(Auto program 1-19 cycle) | | | |
| 21 | Speed | 000 1-255 | No function AUTO Speed or Dimmer Speed | |

| 27 CH | Function | Value | Setting | Remark |
|-----------|--|-----------|--|--|
| 1 | Shutter | 000 - 019 | Shutter closed | |
| | | 020 - 024 | Shutter open | |
| | | 025 - 064 | Strobe 1 (fast → slow) | |
| | | 065 - 069 | Shutter open | |
| | | 070 - 084 | Strobe 2: opening pulse (fast → slow) | |
| | | 085 - 089 | Shutter open | |
| | | 090 - 104 | Strobe 3: closing pulse (fast → slow) | |
| | | 105 - 109 | Shutter open | |
| | | 110 - 124 | Strobe 4: random strobe (fast → slow) | |
| | | 125 - 129 | Shutter open | |
| | | 130 - 144 | Strobe 5: random opening pulse (fast → slow) | |
| | | 145 - 149 | Shutter open | |
| | | 150 - 164 | Strobe 6: random closing pulse (fast → slow) | |
| | | 165 - 169 | Shutter open | |
| | | 170 - 184 | Strobe 7: burst pulse (fast → slow) | |
| | | 185 - 189 | Shutter open | |
| 190 - 204 | Strobe 8: random burst pulse (fast → slow) | | | |
| 205 - 209 | Shutter open | | | |
| 210 - 224 | Strobe 9: sine wave (fast → slow) | | | |
| 225 - 229 | Shutter open | | | |
| 230 - 244 | Strobe 10: burst (fast → slow) | | | |
| 245 - 255 | Shutter open | | | |
| 2 | Dimmer | 000 - 255 | 0 - 100% | |
| 3 | Fixture control settings | 000 - 039 | No function | 1 Value must be held for 3 seconds to activate. |
| | | 040 - 044 | SILENT MODE (level 1)-70% fan speed ¹ | |
| | | 045 - 049 | SILENT MODE (level 2)-40% fan speed ¹ | 2 Please refer the page 10. (calibrate by DMX control) Value must be held for 3 seconds to activate. |
| | | 050 - 054 | SILENT MODE (level 3)-20% fan speed ¹ | |
| | | 055 - 059 | No function | |
| | | 060 - 064 | Fan mode FULL ¹ | |
| | | 065 - 069 | Fan mode REGULATED ¹ | |
| | | 070 - 074 | Fan mode SILENT ¹ | |
| | | 075 - 089 | No function | |
| | | 090 - 094 | Calibrated color output mode- COLOR CALIB = ON ¹ | |
| | | 095 - 099 | Manual calibration output mode- Manual calibration = ON ¹ | |
| | | 100 - 104 | Raw color mode- COLOR CALIB = OFF ¹ | |
| | | 105 - 109 | No function | |
| | | 110 - 114 | Normal dimming, speed of changes unrestricted ¹ | |
| | | 115 - 119 | No function | |
| | | 120 - 124 | Smooth dimming, speed of changes restricted slightly ¹ | |
| | | 125 - 129 | No function | |
| | | 130 - 134 | 600 Hz Refresh rate | |
| | | 135 - 139 | 1200Hz Refresh rate | |
| | | 140 - 144 | 2400Hz Refresh rate | |
| | | 145 - 149 | 4800Hz Refresh rate | |
| 150 - 154 | No Function | | | |
| 155 - 159 | WDMX - ON ¹ | | | |
| 160 - 164 | No Function | | | |
| 165 - 169 | WDMX - OFF ¹ | | | |
| 170 - 174 | No Function | | | |
| 175 - 179 | WDMX - RESET ¹ | | | |
| 180 - 184 | No Function | | | |
| 185 - 189 | Led power(Normal mode) ¹ | | | |
| 190 - 194 | Led power(Theater mode) ¹ | | | |
| 195 - 199 | Led power(High mode) ¹ | | | |
| 200 - 239 | No Function | | | |
| 240 - 244 | DMX Manual calibration mode ² | | | |
| 245 - 249 | No Function | | | |
| 250 - 255 | illuminate display | | | |
| 4 | Macro color | 000 - 004 | No Function | |
| | | 005 - 255 | Macro color rotation effect | |
| 5 | Red | 000 - 255 | Red dimmer (0-100%) | |
| 6 | Green | 000 - 255 | Green dimmer (0-100%) | |
| 7 | Blue | 000 - 255 | Blue dimmer (0-100%) | |
| 8 | White | 000 - 255 | White dimmer (0-100%) | |

| 27 CH | Function | Value | Setting | Remark |
|-------|--------------|---|---|---------------------|
| 9 | CCT | 000 - 009 010 - 255 | No function 10000K - 2500K | |
| 10 | Red 1 | 000 - 255 | LED block 1 - Red 1 (0-100%) | CH 5 must activated |
| 11 | Green 1 | 000 - 255 | LED block 1 - Green 1 (0-100%) | CH 6 must activated |
| 12 | Blue 1 | 000 255 | LED block 1 - Blue1 (0-100%) | CH 7 must activated |
| 13 | White 1 | 000 - 255 | LED block 1 - White 1 (0-100%) | CH 8 must activated |
| 14 | Red 2 | 000 - 255 | LED block 2 - Red 2 (0-100%) | CH 5 must activated |
| 15 | Green 2 | 000 - 255 | LED block 2 - Green 2 (0-100%) | CH 6 must activated |
| 16 | Blue 2 | 000 - 255 | LED block 2 - Blue 2 (0-100%) | CH 7 must activated |
| 17 | White 2 | 000 - 255 | LED block 2 - White 2 (0-100%) | CH 8 must activated |
| 18 | Red 3 | 000 - 255 | LED block 3 - Red 3 (0-100%) | CH 5 must activated |
| 19 | Green 3 | 000 - 255 | LED block 3 - Green 3 (0-100%) | CH 6 must activated |
| 20 | Blue 3 | 000 - 255 | LED block 3 - Blue 3 (0-100%) | CH 7 must activated |
| 21 | White 3 | 000 - 255 | LED block 3 - White 3 (0-100%) | CH 8 must activated |
| 22 | Red 4 | 000 - 255 | LED block 4 - Red 4 (0-100%) | CH 5 must activated |
| 23 | Green 4 | 000 - 255 | LED block 4 - Green 4 (0-100%) | CH 6 must activated |
| 24 | Blue 4 | 000 - 255 | LED block 4 - Blue 4 (0-100%) | CH 7 must activated |
| 25 | White 4 | 000 - 255 | LED block 4 - White 4 (0-100%) | CH 8 must activated |
| 26 | Auto program | 000 - 009 010 - 019 020 - 029 030 - 039 040 - 049 050 - 059 060 - 069 070 - 079 080 - 089 090 - 099 100 - 109 110 - 119 120 - 129 130 - 139 140 - 149 150 - 159 160 - 169 170 - 179 180 - 189 190 - 199 200 - 255 | No function Auto program 1 Auto program 2 Auto program 3 Auto program 4 Auto program 5 Auto program 6 Auto program 7 Auto program 8 Auto program 9 Auto program 10 Auto program 11 Auto program 12 Auto program 13 Auto program 14 Auto program 15 Auto program 16 Auto program 17 Auto program 18 Auto program 19 Auto program 20(Auto program 1-19 cycle) | |
| 27 | Speed | 000 1-255 | No function AUTO Speed or Dimmer Speed | |

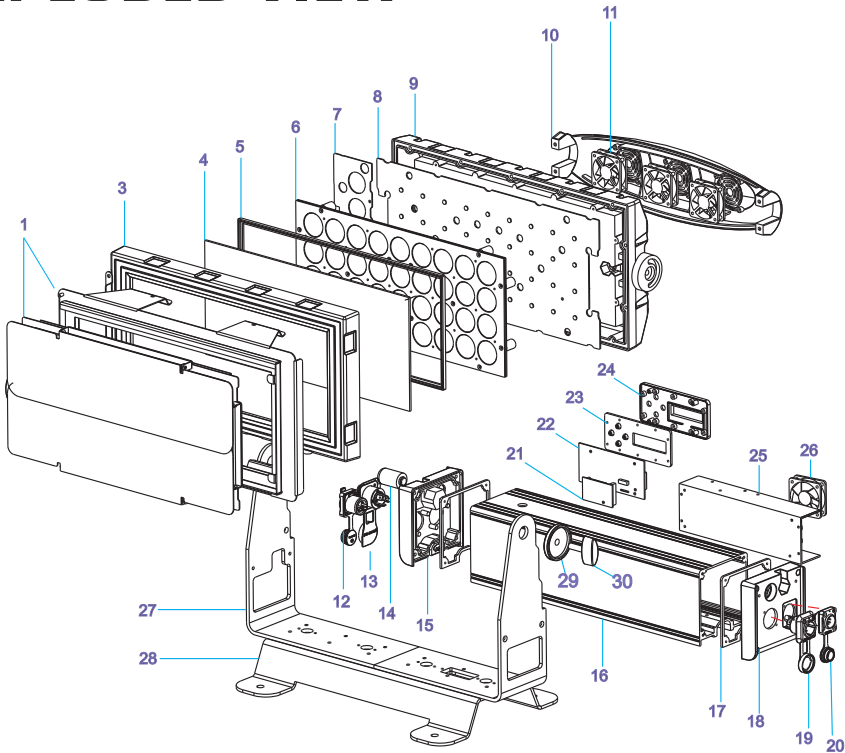
| 30 CH | Function | Value | Setting | Remark |
|-----------|--|-----------|--|--|
| 1 | Shutter | 000 - 019 | Shutter closed | |
| | | 020 - 024 | Shutter open | |
| | | 025 - 064 | Strobe 1 (fast → slow) | |
| | | 065 - 069 | Shutter open | |
| | | 070 - 084 | Strobe 2: opening pulse (fast → slow) | |
| | | 085 - 089 | Shutter open | |
| | | 090 - 104 | Strobe 3: closing pulse (fast → slow) | |
| | | 105 - 109 | Shutter open | |
| | | 110 - 124 | Strobe 4: random strobe (fast → slow) | |
| | | 125 - 129 | Shutter open | |
| | | 130 - 144 | Strobe 5: random opening pulse (fast → slow) | |
| | | 145 - 149 | Shutter open | |
| | | 150 - 164 | Strobe 6: random closing pulse (fast → slow) | |
| | | 165 - 169 | Shutter open | |
| | | 170 - 184 | Strobe 7: burst pulse (fast → slow) | |
| 185 - 189 | Shutter open | | | |
| 190 - 204 | Strobe 8: random burst pulse (fast → slow) | | | |
| 205 - 209 | Shutter open | | | |
| 210 - 224 | Strobe 9: sine wave (fast → slow) | | | |
| 225 - 229 | Shutter open | | | |
| 230 - 244 | Strobe 10: burst (fast → slow) | | | |
| 245 - 255 | Shutter open | | | |
| 2 | Dimmer | 000 - 255 | 0 - 100% | |
| 3 | Fixture control settings | 000 - 039 | No function | 1 Value must be held for 3 seconds to activate. |
| | | 040 - 044 | SILENT MODE (level 1)-70% fan speed ¹ | |
| | | 045 - 049 | SILENT MODE (level 2)-40% fan speed ¹ | 2 Please refer the page 10. (calibrate by DMX control) Value must be held for 3 seconds to activate. |
| | | 050 - 054 | SILENT MODE (level 3)-20% fan speed ¹ | |
| | | 055 - 059 | No function | |
| | | 060 - 064 | Fan mode FULL ¹ | |
| | | 065 - 069 | Fan mode REGULATED ¹ | |
| | | 070 - 074 | Fan mode SILENT ¹ | |
| | | 075 - 089 | No function | |
| | | 090 - 094 | Calibrated color output mode- COLOR CALIB = ON ¹ | |
| | | 095 - 099 | Manual calibration output mode- Manual calibration = ON ¹ | |
| | | 100 - 104 | Raw color mode- COLOR CALIB = OFF ¹ | |
| | | 105 - 109 | No function | |
| | | 110 - 114 | Normal dimming, speed of changes unrestricted ¹ | |
| | | 115 - 119 | No function | |
| | | 120 - 124 | Smooth dimming, speed of changes restricted slightly ¹ | |
| | | 125 - 129 | No function | |
| | | 130 - 134 | 600 Hz Refresh rate | |
| | | 135 - 139 | 1200Hz Refresh rate | |
| | | 140 - 144 | 2400Hz Refresh rate | |
| | | 145 - 149 | 4800Hz Refresh rate | |
| | | 150 - 154 | No Function | |
| | | 155 - 159 | WDMX - ON ¹ | |
| | | 160 - 164 | No Function | |
| | | 165 - 169 | WDMX - OFF ¹ | |
| 170 - 174 | No Function | | | |
| 175 - 179 | WDMX - RESET ¹ | | | |
| 180 - 184 | No Function | | | |
| 185 - 189 | Led power(Normal mode) ¹ | | | |
| 190 - 194 | Led power(Theater mode) ¹ | | | |
| 195 - 199 | Led power(High mode) ¹ | | | |
| 200 - 239 | No Function | | | |
| 240 - 244 | DMX Manual calibration mode ² | | | |
| 245 - 249 | No Function | | | |
| 250 - 255 | illuminate display | | | |
| 4 | Macro color | 000 - 004 | No Function | |
| | | 005 - 255 | Macro color rotation effect | |
| 5 | Dimmer 1 | 000 - 255 | LED block 1 dimmer | |
| 6 | Red 1 | 000 - 255 | LED block 1 - Red 1(0-100%) | |
| 7 | Green 1 | 000 - 255 | LED block 1 - Green 1(0-100%) | |
| 8 | Blue 1 | 000 - 255 | LED block 1 - Blue 1(0-100%) | |

| 30 CH | Function | Value | Setting | Remark |
|-----------|--|-----------|---------------------------------|--------|
| 9 | White 1 | 000 - 255 | LED block 1 - White 1(0-100%) | |
| 10 | Fade 1 | 000 - 255 | LED block 1 -Fade(dimmer speed) | |
| 11 | Dimmer 2 | 000 - 255 | LED block 2 dimmer | |
| 12 | Red 2 | 000 - 255 | LED block 2 - Red 2(0-100%) | |
| 13 | Green 2 | 000 - 255 | LED block 2 - Green 2(0-100%) | |
| 14 | Blue 2 | 000 - 255 | LED block 2 - Blue 2(0-100%) | |
| 15 | White 2 | 000 - 255 | LED block 2 - White 2(0-100%) | |
| 16 | Fade 2 | 000 - 255 | LED block 2 -Fade(dimmer speed) | |
| 17 | Dimmer 3 | 000 - 255 | LED block 3 dimmer | |
| 18 | Red 3 | 000 - 255 | LED block 3 - Red 3(0-100%) | |
| 19 | Green 3 | 000 - 255 | LED block 3 - Green 3(0-100%) | |
| 20 | Blue 3 | 000 - 255 | LED block 3 - Blue 3(0-100%) | |
| 21 | White 3 | 000 - 255 | LED block 3 - White 3(0-100%) | |
| 22 | Fade 3 | 000 - 255 | LED block 3-Fade(dimmer speed) | |
| 23 | Dimmer 4 | 000 - 255 | LED block 4 dimmer | |
| 24 | Red 4 | 000 - 255 | LED block 4 - Red 4(0-100%) | |
| 25 | Green 4 | 000 - 255 | LED block 4 - Green 4(0-100%) | |
| 26 | Blue 4 | 000 - 255 | LED block 4 - Blue 4(0-100%) | |
| 27 | White 4 | 000 - 255 | LED block 4 - White 4(0-100%) | |
| 28 | Fade 4 | 000 - 255 | LED block 4-Fade(dimmer speed) | |
| 29 | Auto program | 000 - 009 | No function | |
| | | 010 - 019 | Auto program 1 | |
| | | 020 - 029 | Auto program 2 | |
| | | 030 - 039 | Auto program 3 | |
| | | 040 - 049 | Auto program 4 | |
| | | 050 - 059 | Auto program 5 | |
| | | 060 - 069 | Auto program 6 | |
| | | 070 - 079 | Auto program 7 | |
| | | 080 - 089 | Auto program 8 | |
| | | 090 - 099 | Auto program 9 | |
| | | 100 - 109 | Auto program 10 | |
| | | 110 - 119 | Auto program 11 | |
| | | 120 - 129 | Auto program 12 | |
| | | 130 - 139 | Auto program 13 | |
| | | 140 - 149 | Auto program 14 | |
| | | 150 - 159 | Auto program 15 | |
| | | 160 - 169 | Auto program 16 | |
| 170 - 179 | Auto program 17 | | | |
| 180 - 189 | Auto program 18 | | | |
| 190 - 199 | Auto program 19 | | | |
| 200 - 255 | Auto program 20(Auto program 1-19 cycle) | | | |
| 30 | Speed | 000 | No function | |
| | | 1-255 | AUTO Speed or Dimmer Speed | |

ONBOARD CONTROL MENUS

| NO. | Main Menu | Menu level 2 | Menu level 3 | Remark |
|-----|----------------|---|--------------------|----------------------------|
| 1 | DMX ADDRESS | <001> | | Default 001 |
| 2 | CONTROL MODE | 4CH / 9CH / 11CH / 16CH / 21CH / 27CH / 30CH | | Default : 11CH |
| 3 | STATIC COLOR * | Dimmer | 0-100 | Default : 000 |
| | | Red | 0-100 | Default : 000 |
| | | Green | 0-100 | Default : 000 |
| | | Blue | 0-100 | Default : 000 |
| | | White | 0-100 | Default : 000 |
| | | Strobe | 0-20 | Default : 000 |
| 4 | PERSONALITY | FANS | REGULATED | Default : REGULATED |
| | | | SILENT | Level (1-3) |
| | | | FULL | |
| | | Led power | High | Default : Normal |
| | | | Normal | |
| | | | Theater | |
| | | Dimmer Speed | Normal | Default : Normal |
| | | | Smooth | |
| | | KEY-Lock | ON/OFF | Default : OFF |
| | | W-DMX | ON | Default : ON |
| | | | OFF | |
| | | | RESET | |
| | Calibration | NO CALIBRATION | Default : FACTORY | |
| | | MANUAL | | |
| | | FACTORY | | |
| | Refresh rate | 600/1200/2400/4800 | Default : 600 | |
| | LCD brightness | Level (1 - 10) | | |
| | DMX HOLD | DMX HOLD | Default : DMX HOLD | |
| | | NO DMX HOLD | | |
| 5 | AUTO * | AUTO(1 - 20) | Speed 0 - 20 | Default : AUTO :1,Speed: 0 |
| 6 | INFO | Software type | VX.XX | |
| | | Usage time | TOTAL Xxxx hours | Use time reset(password) |
| | | Temperature | XXX°C | |
| 7 | FACTORY SET | LOAD | | |
| 8 | MANUAL CALIB | Red | 0-255 | Default : 255 |
| | | Green | 0-255 | Default : 255 |
| | | Blue | 0-255 | Default : 255 |

EXPLODED VIEW



| NO. | Description | Part Number | NO. | Description | Part Number |
|-----|-------------------------|--------------|-----|---------------------------------|-------------|
| 1 | Barn door & bracket | CLF-13-465 | 17 | Waterproof pad of housing | CLF-13-412 |
| 3 | Cover | CLF-13-400 | 18 | Side parts 1 | CLF-13-403 |
| 4 | Tempered glass | CLF-13-427 | 19 | Power input | CLF-13-451 |
| 5 | Radiator waterproof pad | CLF-13-414 | 20 | DMX 3P male chassis | CLF-13-453 |
| 6 | Lens holders | CLF-13-420/1 | 21 | Wireless PCB | CLF-13-447 |
| 7 | LED control board | CLF-13-461 | 22 | Display board | CLF-13-446 |
| 8 | LED board | CLF-13-460 | 23 | Display screen waterproof pad | CLF-13-411 |
| 9 | Radiator | CLF-13-401 | 24 | Display board transparent cover | CLF-13-407 |
| 10 | Fan frame | CLF-13-408 | 25 | Power supply | CLF-13-449 |
| 11 | Waterproof fan | CLF-13-430 | 26 | Fan for power supply | CLF-13-431 |
| 12 | DMX 3P female chassis | CLF-13-454 | 27 | Bracket antenna side | CLF-13-419 |
| 13 | Power output | CLF-13-452 | 28 | Arch chassis | CLF-13-423 |
| 14 | Wireless antenna | CLF-13-448 | 29 | Knob cover | CLF-13-405 |
| 15 | Side parts 2 | CLF-13-404 | 30 | Knob | CLF-13-406 |
| 16 | Housing | CLF-13-402 | | | |

SPECIFICATIONS

| | |
|--|---|
| Physical | |
| Length | 495mm |
| Width | 254mm |
| Height | 386mm |
| Weight | 13 kg without accessories |
| Dynamic Effects | |
| beam angle | 21° |
| Optics | |
| Light source | 36 pcs high-power LEDs (RGBW) |
| Control and Programming | |
| Control | DMX512-A |
| DMX channels | 04 / 09 / 11 / 16 / 21 / 27 / 30 |
| Setting and addressing | Control panel with backlit LCD graphic display |
| Protocol | USITT DMX512-A |
| Control and Programming | |
| Color | Black |
| Housing | High strength die-casting aluminum |
| Installation | |
| Orientation | Any |
| Minimum distance to combustible materials | 100 mm. from fixture |
| Minimum distance to illuminated surfaces | 200 mm. from fixture |
| Connections | |
| AC power input | PowerCON TRUE 1 [®] input socket |
| AC power throughput | PowerCON TRUE 1 [®] output socket |
| DMX data in/out | 5 pin locking XLR (3 pin optional with # CLF-13-453 & CLF-13-454) |
| Electrical | |
| AC power | 100-240V nominal, 50/60 Hz |
| Maximum total power consumption | 380 W |
| Power supply unit | Auto-ranging electronic switch mode |
| Power consumption, all effects static, zero light output | < 15 W |
| Power consumption | |
| 120 V, 60 Hz | 380 W, PF 0.991 |
| 240 V, 50 Hz | 370 W, PF 0.952 |
| PF = power factor. Measurements made at nominal voltage with all LEDs at full intensity. Allow for a deviation of +/- 10%. Thermal | |
| Cooling | |
| Forced air (temperature-regulated, low noise, user-definable levels) | |
| Maximum ambient temperature (Ta max.) | 40 °C |
| Minimum ambient temperature (Ta min.) | -20 °C |
| Total heat dissipation (calculated, +/- 10%) | 820 BTU/hr. |

ARES



CLFLIGHTING

WWW.CLF-LIGHTING.COM