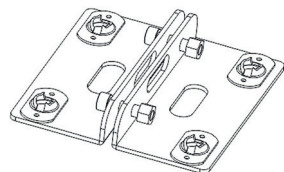
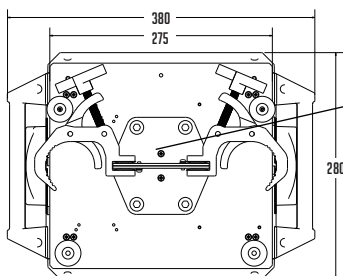


# TABLE OF CONTENTS

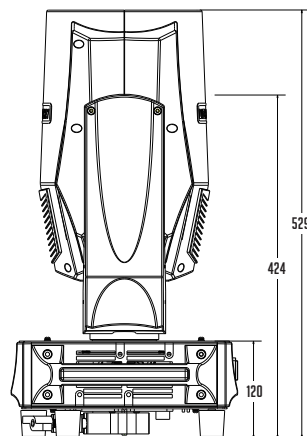
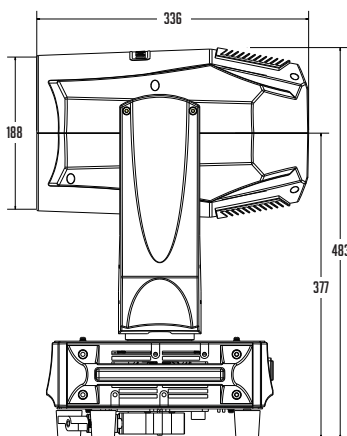
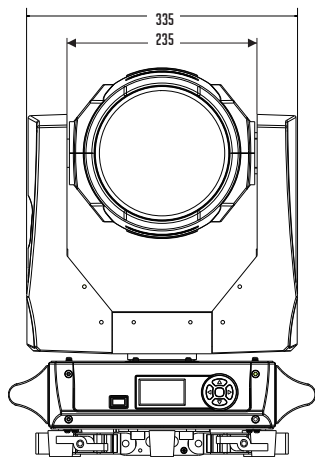
<b>Dimensions</b>	<b>2</b>
<b>Safety instruction</b>	<b>5</b>
<b>Physical installation</b>	<b>6</b>
Control panel	8
<b>Menu navigation</b>	<b>9</b>
<b>DMX Protocols</b>	<b>12</b>
DMX protocol CH14	12
DMX protocol CH16	15
DMX protocol CH16 PLUS	18
<b>Cleaning and maintainances</b>	<b>21</b>
Troubleshooting	21
<b>Circuit connection diagram</b>	<b>22</b>
<b>Specifications</b>	<b>23</b>
Included items	24

# DIMENSIONS

ALL DIMENSIONS ARE IN MILLIMETERS



OPTIONAL HANGING BRACKET  
ART. NO. 160022



# SAFETY INSTRUCTION



## WARNING!

Read the safety precautions in this section before installing, powering, operating or servicing this product

The following symbols are used to identify important safety information on the product and in this manual:



**DANGER!**  
Safety hazard.  
Risk of severe injury or death.



**DANGER!**  
Hazardous voltage. Risk of lethal or severe electric shock.



**WARNING!**  
Fire hazard.



**WARNING!**  
LED light emission. Risk of eye injury.



**WARNING!**  
Burn hazard. Hot surface. Do not touch.



**WARNING!**  
Wear protective eyewear.



**WARNING!**  
Refer to user manual.



### INSTALLATION

Make sure all (mounting) parts of the fixture are in a good state.

Make sure the point of attachment is stable before positioning the fixture.

The safety chain must be properly hooked on to the safety attachment point. If the safety chain gets worn out, it needs to be replaced.



### MINIMUM DISTANCE OF ILLUMINATED OBJECTS

The fixture must be positioned so that the objects within the reach of the beam are at least 12 metres from the lens of the fixture.



### MINIMUM DISTANCE FROM FLAMMABLE MATERIALS

The fixture must be positioned so that any flammable materials are at a distance of at least 0.2 metres from every point on the surface of the fitting.



### MOUNTING SURFACES

Do not mount the fixture on flammable surfaces.



### MAXIMUM AMBIENT TEMPERATURE

Stop using the fixture when the ambient temperature ( $T_a$ ) exceeds 35°C.

# SAFETY INSTRUCTION



## PROTECTION AGAINST ELECTRICAL SHOCK

The connection must be made with a power supply system including efficient earthing (Class I appliance according to standard EN 60598-1). It is important to protect the supply lines of the fixture from indirect contact and/or shorting to earth by using appropriately sized residual current devices.



## CONNECTION TO MAIN SUPPLY

Connection to the electricity main supply must be carried out by a qualified electrical installer. Check if the main frequency and voltage corresponds with the values of the fixture as described on the fixture electrical data label. This label also provides you the maximum number of fixtures to connect to the main supply in order to avoid overloading. Do not use the power cable when the insulation is damaged. The damaged cable must be repaired by the manufacturer or the distributor in order to avoid any dangerous situations.



## TEMPERATURE OF THE EXTERNAL SURFACE

The maximum temperature that can be reached on the external surface of the fixture, in a thermally steady state, is 100°C.



## MAINTENANCE

Before starting any maintenance or cleaning work on the fixture, cut off the power from the main power supply. After switching off the power, do not remove any parts of the fixture, for at least 30 minutes to avoid any burns. The fixture is designed to hold any splinters when the lamp explodes. The lenses must be mounted properly, and when damaged, the lenses must be replaced with proper spare parts.



## LAMP

Carefully read the "operating instructions" provided by the lamp manufacturer and immediately replace the lamp when damaged or deformed by heat.



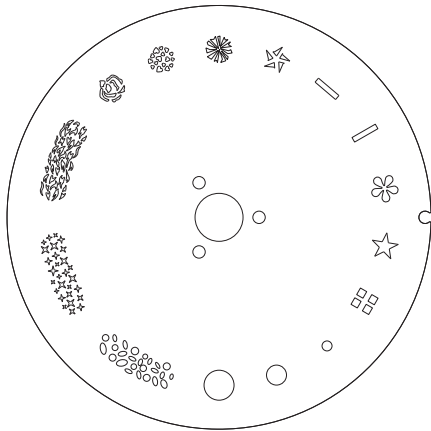
## BATTERY

This product contains a rechargeable lead-acid battery. To preserve the environment, please dispose the battery at the end of its life according to the applied regulation.

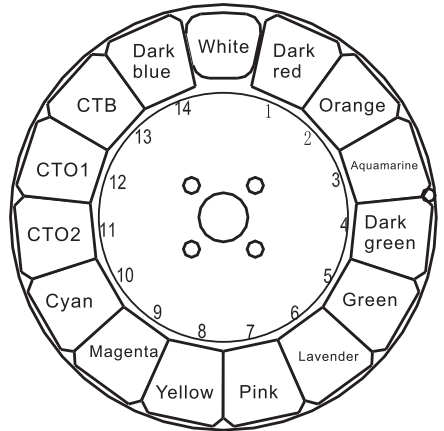


The products referred to in this manual conform to the European Community Directives to which they are subject:

- Low Voltage 2014/35/EU
- Electromagnetic Compatibility 2014/30/EU



**Gobo Wheel**

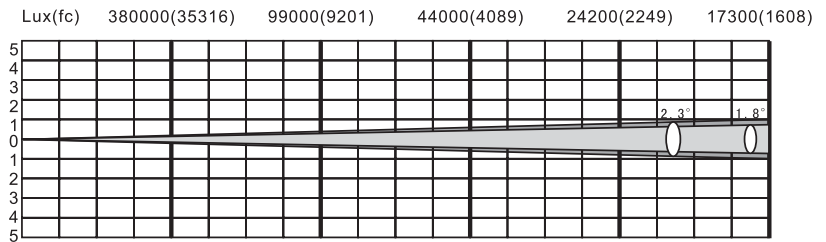


**Color Wheel**

## AORUN PHOTOMETRICS

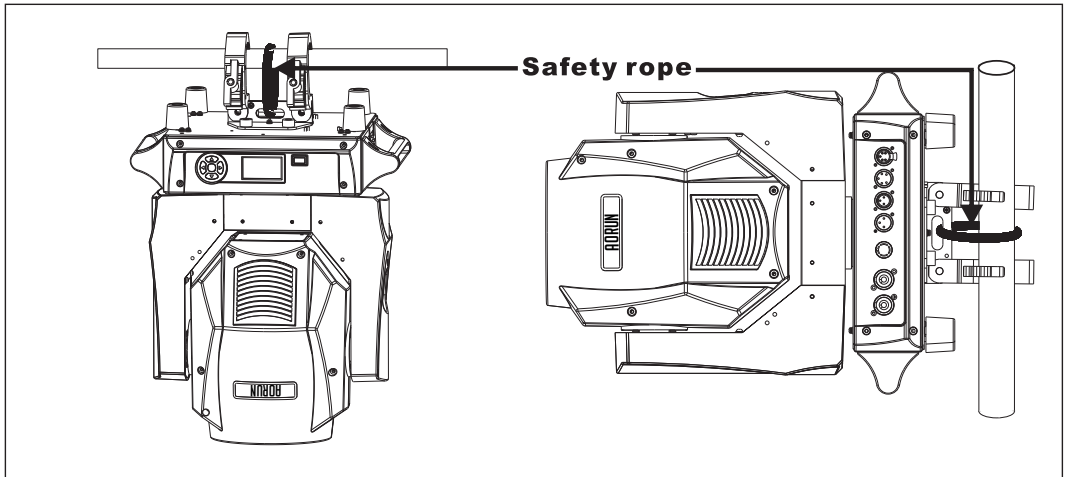
Standard (2.3°)

Lamp total output: 15000 lumens



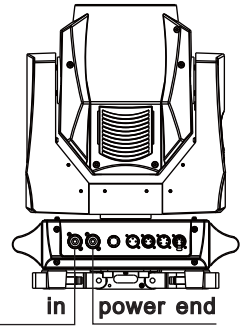
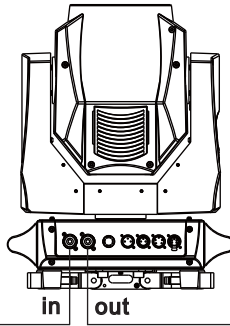
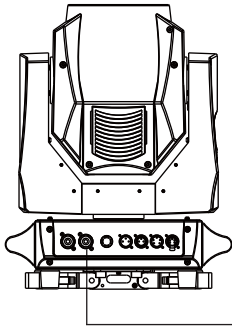
Distance m(ftin)	0m	10m (32'10")	20m (65'7")	30m (98'4")	40m (131'2")	50m (164')
Diameter 10% m (ft in)	0m	0.4m (1'4")	0.8m (2'7")	1.2m (3'11")	1.65m (5'5")	2.05m (6'9")
Diameter 50% m (ft in)	0m	0.3m (1')	0.6m (2')	0.9m (2'11")	1.2m (3'11")	1.5m (4'11")

# PHYSICAL INSTALLATION

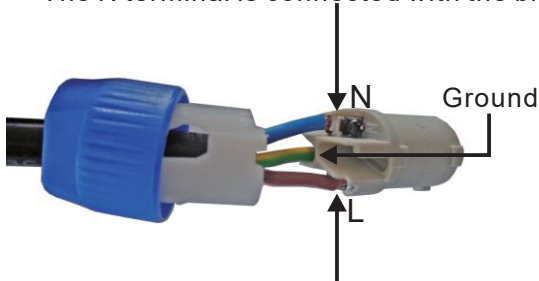


The fixture can be installed on the floor resting on the special rubber feet or on a truss.

**WARNING:** When the fixture is positioned on truss, the safety rope must be fitted. This must be securely fixed to the support structure of the fixture and then connected to the fixing point at the centre of the base.



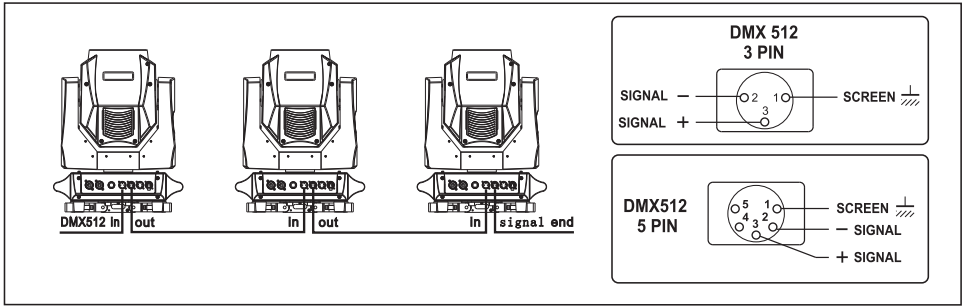
The N terminal is connected with the blue line.



The L terminal is connected with the brown line.

- Not more than 4 fixtures in a series.
- Connection to the mains must be carried out by a qualified electrical installer.





• Please use the round 3 or 5-pin XLR plugs & sockets offered by the manufacturer to connect the first output to the second input and connect the second fixture's output to the third fixture's input. And in the same way for the rest. Connect the first fixture to a DMX controller.

• It is recommended to use a DMX signal terminator for the installation to avoid the electronic noise damage the digital control signal. The DMX terminator is an XLR connector with a 120 1/2W resistor connected across pin 2 and 3. Which is then plugged into the output socket on the last projector in the chain refer to the connection.

# CONTROL PANEL

6

**Up arrow: page up**  
**Down arrow: page down**  
**Left arrow: reduce**  
**Right arrow: increase**  
**Enter: OK function**  
**Exit: return to main menu**

Press the switch. The fixture starts resetting the effects. At the same time, the following information scrolls on the display (please refer to the actual material):

AORUN

DMX: 001  

TEST

DMX: 001 DMX Address
 Information
 Personal
 Manual control

Service
 Lamp
 Test
 Reversal

# MENU NAVIGATION

MAIN MENU	MENU I	MENU II	MENU III	
DMX address	Address: 001 - 512			
Information	Lamp hours	Total: ****(h)		
	Temperatuur	Lamp open: ****(h)		
	RDM UID	Board: 000.0		
	MOTOR UID	Undistributed		
	Fan speed / voltage		Fan 1: 00.0V	
			Fan 2: 00.0V	
			Fan 1: 0000 RPM	
	DMX live		Fan 2: 0000 RPM	
			Fan3: 0000 RPM	
			1. Color (***)	
			2. Shutter (***)	
			3. Dimmer (***)	
			4. Gobo (***)	
			5. Prism (***)	
			6. Prism ROTA (****)	
			7. Prism Macro (****)	
		8. Frost (****)		
		9. Focus (****)		
		10. Pan (****)		
		11. Pan fine (***)		
		12. Tilt (***)		
		13. Tilt fine (***)		
	14. Function (****)			
	15. Reset (***)			
	16. Lamp control (***)			
System version		XY: V*.**		
		10M: V*.**		
		DIS board: V*.**		
Return (ESC)				
Personal	Channel mode	Simple (14 CH)		
		Standard (16 CH)		
		16CH PLUS (16+ CH)	Additions to 16 CH; Slow - Fast rotation, Fast - Slow rotation & stop	
	Auto lamp on	OFF		
		ON		
P/T invert	Pan invert	OFF		
		ON		
	Tilt invert	OFF		
		ON		

# MENU NAVIGATION

MAIN MENU	MENU I	MENU II	MENU III
Personal	Display	Language	English
		Backlight	Open
			Auto close (15s)
		Reversal	Normal
			Rota. 180
		Backlight blink	ON
		OFF	
	Return (ESC)		
Manual control	Channel control	1. Color (***)	
		2. Shutter (***)	
		3. Dimmer (***)	
		4. Gobo (***)	
		5. Prism (***)	
		6. Prism ROTA (****)	
		7. Prism Macro (***)	
		8. Frost (****)	
		9. Focus (***)	
		10. Pan (***)	
		11. Pan fine (***)	
		12. Tilt (***)	
		13. Tilt fine (***)	
		14. Function (****)	
		15. Reset (***)	
		16. Lamp control (****)	
	Return (ESC)		
	Reset	System reset	
		Pan / tilt reset	
		Head motor reset	
	Return (ESC)		
Service	Error list		
		Pan	000-255
		Tilt	000-255

# MENU NAVIGATION

MAIN MENU	MENU I	MENU II	MENU III	
Service	Calibration	Dimmer 1	000-255	
		Dimmer 2	000-255	
		Focus 1	000-255	
		Focus 2	000-255	
		Color	000-255	
		Stat. gobo	000-255	
		Prism 1	000-255	
		Prism 2	000-255	
		Prism rota	000-255	
		Frost	000-255	
		Return (ESC)	000-255	
	Factory	Default		Input: 1111
		Time clean		Input: 4286
		Developer		
		Firmware update		Input: 7273
	Return (ESC)			
Lamp	OFF			
	ON			
Test	Test P/T	STEP***		
	Test effect	STEP***		
	Test all	STEP***		
	Return (ESC)			
Reversal	Normal			
	Rota. 180°			

# DMX PROTOCOL (14 CH)

CHANNEL	DMX	PERCENTAGE	FUNCTION
<b>COLOR</b>			
	0 - 4	0 - 1.56	White
	5 - 8	1.96 - 3.14	White + red
	9 - 12	3.53 - 4.71	Red
	13 - 17	5.10 - 6.67	Red + orange
	18 - 21	7.06 - 8.24	Orange
	22 - 25	8.63 - 9.80	Orange + aquamarine
	26 - 29	10.2 - 11.4	Aquamarine
	30 - 34	11.8 - 13.3	Aquamarine + dark green
	35 - 38	13.7 - 14.9	Dark green
	39 - 42	15.3 - 16.5	Dark green + green
	43 - 46	16.9 - 18.0	Green
	47 - 51	18.4 - 20.0	Green + lavender
	52 - 55	20.4 - 21.6	Lavender
	56 - 59	22.0 - 23.1	Lavender + pink
	60 - 63	23.5 - 24.7	Pink
1	64 - 68	25.1 - 26.7	Pink + yellow
	69 - 72	27.0 - 28.2	Yellow
	73 - 76	28.6 - 29.8	Yellow + magenta
	77 - 81	30.2 - 31.8	Magenta
	82 - 85	32.2 - 33.3	Magenta + cyan
	86 - 89	33.7 - 34.9	Cyan
	90 - 93	35.3 - 36.5	Cyan + CTO 260
	94 - 98	36.9 - 38.4	CTO 2
	99 - 102	38.8 - 40.0	CTO 2 + CTO 1
	103 - 106	40.4 - 41.6	CTO 1
	107 - 110	42.0 - 43.1	CTO 1 + CTB
	111 - 115	43.5 - 45.1	CTB
	116 - 119	45.5 - 46.7	CTB + Dark blue
	120 - 123	47.1 - 48.2	Dark blue
	124 - 127	48.6 - 49.8	Dark blue + white
	128 - 191	50.2 - 74.9	CCW, fast --> slow rotation
	192 - 255	75.3 - 100	CW, slow --> fast rotation

CHANNEL	DMX	PERCENTAGE	FUNCTION
2	<b>STROBE</b>		
	0 - 3	0 - 1.2	Closed
	4 - 103	1.6 - 40.4	Slow-fast strobe
	104 - 107	40.8 - 42.0	Open
	108 - 157	42.4 - 61.6	Pulsation slow-fast, fast off, slow open
	158 - 207	62.0 - 81.2	Pulsation slow-fast, fast open, slow off
	208 - 212	81.6 - 83.1	Open
	213 - 251	83.5 - 98.4	Random slow-fast strobe
252 - 255	99.8 - 100	Open	
3	<b>DIMMER</b>		
	0 - 255	0 - 100	
4	<b>GOBO</b>		
	0 - 3	0 - 1.2	White
	4 - 7	1.6 - 2.7	Gobo 1
	8 - 11	3.1 - 4.3	Gobo 2
	12 - 15	4.7 - 5.9	Gobo 3
	16 - 19	6.3 - 7.5	Gobo 4
	20 - 23	7.8 - 9.0	Gobo 5
	24 - 27	9.4 - 10.6	Gobo 6
	28 - 31	11.0 - 12.2	Gobo 7
	32 - 35	12.5 - 13.7	Gobo 8
	36 - 39	14.1 - 15.3	Gobo 9
	40 - 43	15.7 - 16.9	Gobo 10
	44 - 47	17.3 - 18.4	Gobo 11
	48 - 51	18.8 - 20.0	Gobo 12
	52 - 55	20.4 - 21.6	Gobo 13
	56 - 59	22.0 - 23.1	Gobo 14
	60 - 73	23.5 - 28.6	Gobo 1 shake slow-fast speed
	74 - 87	29.0 - 34.1	Gobo 2 shake slow-fast speed
	88 - 101	31.4 - 39.6	Gobo 3 shake slow-fast speed
	102 - 115	40.0 - 45.1	Gobo 4 shake slow-fast speed
	116 - 129	45.5 - 50.6	Gobo 5 shake slow-fast speed
	130 - 143	51.0 - 56.1	Gobo 6 shake slow-fast speed
	144 - 157	56.5 - 61.6	Gobo 7 shake slow-fast speed
	158 - 171	62.0 - 67.1	Gobo 8 shake slow-fast speed
	172 - 185	67.5 - 72.6	Gobo 9 shake slow-fast speed
	186 - 199	72.9 - 78.0	Gobo 10 shake slow-fast speed
	200 - 213	78.4 - 83.5	Gobo 11 shake slow-fast speed
	214 - 227	83.9 - 89.0	Gobo 12 shake slow-fast speed
	228 - 241	89.4 - 94.5	Gobo 13 shake slow-fast speed
	242 - 255	94.9 - 100	Gobo 14 shake slow-fast speed

CHANNEL	DMX	PERCENTAGE	FUNCTION
5	<b>PRISM</b>		
	0 - 63	0 - 24.7	Unused range
	64 - 127	25 - 49.8	Prism 1
	128 - 191	50.2 - 74.9	Prism 2
	192 - 255	75.3 - 100	Prism 1 + prism 2
6	<b>PRISM ROTATION</b>		
	0	0	Unused range
	1 - 63	0.4 - 24.7	0 - 180°
	64 - 127	25.1 - 49.8	CCW, fast --> slow
	128 - 191	50.2 - 74.9	CW, slow --> fast
	192 - 207	75.3 - 81.2	Slow --> fast rotation, 90° back and forth
	208 - 223	81.6 - 87.5	Slow --> fast rotation, 180° back and forth
	224 - 239	87.8 - 93.7	Slow --> fast rotation, 270° back and forth
240 - 255	94.1 - 100	Slow --> fast rotation, 360° back and forth	
7	<b>PRISM MACRO</b>		
	0 - 15	0 - 5.9	Unused range
	16 - 55	6.3 - 21.6	From fast to slow, 8 prism free switch
	56 - 95	22.0 - 37.3	From fast to slow, 16 prism free switch
	96 - 135	37.6 - 52.9	From fast to slow, 8 prism + 16 prism at the same time free switch
	136 - 175	53.3 - 68.6	8 prism + 16 prism to free switch from fast to slow
	176 - 215	69.0 - 84.3	16 prism + 8 prism to free switch from fast to slow
216 - 255	84.7 - 100	From fast to slow, 8 prism and the 16 prism interlock switch	
8	<b>FROST</b>		
	0 - 255	0 - 100	
9	<b>FOCUS</b>		
	0 - 255	0 - 100	
10	<b>PAN</b>		
	0 - 255	0 - 100	
11	<b>PAN FINE</b>		
	0 - 255	0 - 100	
12	<b>TILT</b>		
	0 - 255	0 - 100	
13	<b>TILT FINE</b>		
	0 - 255	0 - 100	
14	<b>FUNCTION</b>		
	0 - 25	0 - 9.8	Unused range
	26 - 30	10.2 - 11.8	Effects reset
	31 - 35	12.2 - 13.7	Pan/tilt reset
	36 - 40	14.4 - 15.7	Complete reset
	41 - 180	16.1 - 70.6	Unused range
	181 - 200	71 - 78.4	Lamp OFF
	201 - 220	78.8 - 86.3	Unused range
221 - 255	86.7 - 100	Lamp ON	

# DMX PROTOCOL (16 CH)

CHANNEL	DMX	PERCENTAGE	FUNCTION
<b>COLOR</b>			
	0 - 4	0 - 1.56	White
	5 - 8	1.96 - 3.14	White + red
	9 - 12	3.53 - 4.71	Red
	13 - 17	5.10 - 6.67	Red + orange
	18 - 21	7.06 - 8.24	Orange
	22 - 25	8.63 - 9.80	Orange + aquamarine
	26 - 29	10.2 - 11.4	Aquamarine
	30 - 34	11.8 - 13.3	Aquamarine + dark green
	35 - 38	13.7 - 14.9	Dark green
	39 - 42	15.3 - 16.5	Dark green + green
	43 - 46	16.9 - 18.0	Green
	47 - 51	18.4 - 20.0	Green + lavender
	52 - 55	20.4 - 21.6	Lavender
	56 - 59	22.0 - 23.1	Lavender + pink
	60 - 63	23.5 - 24.7	Pink
1	64 - 68	25.1 - 26.7	Pink + yellow
	69 - 72	27.0 - 28.2	Yellow
	73 - 76	28.6 - 29.8	Yellow + magenta
	77 - 81	30.2 - 31.8	Magenta
	82 - 85	32.2 - 33.3	Magenta + cyan
	86 - 89	33.7 - 34.9	Cyan
	90 - 93	35.3 - 36.5	Cyan + CTO 260
	94 - 98	36.9 - 38.4	CTO 2
	99 - 102	38.8 - 40.0	CTO 2 + CTO 1
	103 - 106	40.4 - 41.6	CTO 1
	107 - 110	42.0 - 43.1	CTO 1 + CTB
	111 - 115	43.5 - 45.1	CTB
	116 - 119	45.5 - 46.7	CTB + Dark blue
	120 - 123	47.1 - 48.2	Dark blue
	124 - 127	48.6 - 49.8	Dark blue + white
	128 - 191	50.2 - 74.9	CCW, fast --> slow rotation
	192 - 255	75.3 - 100	CW, slow --> fast rotation



CHANNEL	DMX	PERCENTAGE	FUNCTION
2	<b>STROBE</b>		
	0 - 3	0 - 1.2	Closed
	4 - 103	1.6 - 40.4	Slow-fast strobe
	104 - 107	40.8 - 42.0	Open
	108 - 157	42.4 - 61.6	Pulsation slow-fast, fast off, slow open
	158 - 207	62.0 - 81.2	Pulsation slow-fast, fast open, slow off
	208 - 212	81.6 - 83.1	Open
	213 - 251	83.5 - 98.4	Random slow-fast strobe
252 - 255	99.8 - 100	Open	
3	<b>DIMMER</b>		
	0 - 255	0 - 100	
4	<b>GOBO</b>		
	0 - 3	0 - 1.2	White
	4 - 7	1.6 - 2.7	Gobo 1
	8 - 11	3.1 - 4.3	Gobo 2
	12 - 15	4.7 - 5.9	Gobo 3
	16 - 19	6.3 - 7.5	Gobo 4
	20 - 23	7.8 - 9.0	Gobo 5
	24 - 27	9.4 - 10.6	Gobo 6
	28 - 31	11.0 - 12.2	Gobo 7
	32 - 35	12.5 - 13.7	Gobo 8
	36 - 39	14.1 - 15.3	Gobo 9
	40 - 43	15.7 - 16.9	Gobo 10
	44 - 47	17.3 - 18.4	Gobo 11
	48 - 51	18.8 - 20.0	Gobo 12
	52 - 55	20.4 - 21.6	Gobo 13
	56 - 59	22.0 - 23.1	Gobo 14
	60 - 73	23.5 - 28.6	Gobo 1 shake slow-fast speed
	74 - 87	29.0 - 34.1	Gobo 2 shake slow-fast speed
	88 - 101	31.4 - 39.6	Gobo 3 shake slow-fast speed
	102 - 115	40.0 - 45.1	Gobo 4 shake slow-fast speed
	116 - 129	45.5 - 50.6	Gobo 5 shake slow-fast speed
	130 - 143	51.0 - 56.1	Gobo 6 shake slow-fast speed
	144 - 157	56.5 - 61.6	Gobo 7 shake slow-fast speed
	158 - 171	62.0 - 67.1	Gobo 8 shake slow-fast speed
	172 - 185	67.5 - 72.6	Gobo 9 shake slow-fast speed
	186 - 199	72.9 - 78.0	Gobo 10 shake slow-fast speed
	200 - 213	78.4 - 83.5	Gobo 11 shake slow-fast speed
	214 - 227	83.9 - 89.0	Gobo 12 shake slow-fast speed
228 - 241	89.4 - 94.5	Gobo 13 shake slow-fast speed	
242 - 255	94.9 - 100	Gobo 14 shake slow-fast speed	

CHANNEL	DMX	PERCENTAGE	FUNCTION
	<b>PRISM</b>		
5	0 - 63	0 - 24.7	Unused range
	64 - 127	25 - 49.8	Prism 1
	128 - 191	50.2 - 74.9	Prism 2
	192 - 255	75.3 - 100	Prism 1 + prism 2
	<b>PRISM ROTATION</b>		
6	0	0	Unused range
	1 - 63	0.4 - 24.7	0 - 180°
	64 - 127	25.1 - 49.8	CCW, fast --> slow
	128 - 191	50.2 - 74.9	CW, slow --> fast
	192 - 207	75.3 - 81.2	Slow --> fast rotation, 90° back and forth
	208 - 223	81.6 - 87.5	Slow --> fast rotation, 180° back and forth
	224 - 239	87.8 - 93.7	Slow --> fast rotation, 270° back and forth
240 - 255	94.1 - 100	Slow --> fast rotation, 360° back and forth	
	<b>PRISM MACRO</b>		
7	0 - 15	0 - 5.9	Unused range
	16 - 55	6.3 - 21.6	From fast to slow, 8 prism free switch
	56 - 95	22.0 - 37.3	From fast to slow, 16 prism free switch
	96 - 135	37.6 - 52.9	From fast to slow, 8 prism + 16 prism at the same time free switch
	136 - 175	53.3 - 68.6	8 prism + 16 prism to free switch from fast to slow
	176 - 215	69.0 - 84.3	16 prism + 8 prism to free switch from fast to slow
216 - 255	84.7 - 100	From fast to slow, 8 prism and the 16 prism interlock switch	
	<b>FROST</b>		
8	0 - 255	0 - 100	
	<b>FOCUS</b>		
9	0 - 255	0 - 100	
	<b>PAN</b>		
10	0 - 255	0 - 100	
	<b>PAN FINE</b>		
11	0 - 255	0 - 100	
	<b>TILT</b>		
12	0 - 255	0 - 100	
	<b>TILT FINE</b>		
13	0 - 255	0 - 100	
	<b>UNUSED RANGE</b>		
	<b>RESET</b>		
15	0 - 25	0 - 9.8	Unused range
	26 - 76	10.2 - 29.8	Effect reset
	77 - 127	30.2 - 49.8	PAN/TILT reset
	128 - 255	50.2 - 100	Complete reset
	<b>LAMP CONTROL</b>		
16	0 - 25	0 - 9.8	Unused range
	26 - 100	10.2 - 39.2	Lamp OFF
	101 - 255	39.6 - 100	Lamp ON

# DMX PROTOCOL (16 CH PLUS)

CHANNEL	DMX	PERCENTAGE	FUNCTION
<b>COLOR</b>			
	0 - 4	0 - 1.56	White
	5 - 8	1.96 - 3.14	White + red
	9 - 12	3.53 - 4.71	Red
	13 - 17	5.10 - 6.67	Red + orange
	18 - 21	7.06 - 8.24	Orange
	22 - 25	8.63 - 9.80	Orange + aquamarine
	26 - 29	10.2 - 11.4	Aquamarine
	30 - 34	11.8 - 13.3	Aquamarine + dark green
	35 - 38	13.7 - 14.9	Dark green
	39 - 42	15.3 - 16.5	Dark green + green
	43 - 46	16.9 - 18.0	Green
	47 - 51	18.4 - 20.0	Green + lavender
	52 - 55	20.4 - 21.6	Lavender
	56 - 59	22.0 - 23.1	Lavender + pink
	60 - 63	23.5 - 24.7	Pink
1	64 - 68	25.1 - 26.7	Pink + yellow
	69 - 72	27.0 - 28.2	Yellow
	73 - 76	28.6 - 29.8	Yellow + magenta
	77 - 81	30.2 - 31.8	Magenta
	82 - 85	32.2 - 33.3	Magenta + cyan
	86 - 89	33.7 - 34.9	Cyan
	90 - 93	35.3 - 36.5	Cyan + CTO 260
	94 - 98	36.9 - 38.4	CTO 2
	99 - 102	38.8 - 40.0	CTO 2 + CTO 1
	103 - 106	40.4 - 41.6	CTO 1
	107 - 110	42.0 - 43.1	CTO 1 + CTB
	111 - 115	43.5 - 45.1	CTB
	116 - 119	45.5 - 46.7	CTB + Dark blue
	120 - 123	47.1 - 48.2	Dark blue
	124 - 127	48.6 - 49.8	Dark blue + white
	128 - 191	50.2 - 74.9	CCW, fast --> slow rotation
	192 - 255	75.3 - 100	CW, slow --> fast rotation

CHANNEL	DMX	PERCENTAGE	FUNCTION
	<b>STROBE</b>		
	0 - 3	0 - 1.2	Closed
	4 - 103	1.6 - 40.4	Slow-fast strobe
	104 - 107	40.8 - 42.0	Open
2	108 - 157	42.4 - 61.6	Pulsation slow-fast, fast off, slow open
	158 - 207	62.0 - 81.2	Pulsation slow-fast, fast open, slow off
	208 - 212	81.6 - 83.1	Open
	213 - 251	83.5 - 98.4	Random slow-fast strobe
	252 - 255	99.8 - 100	Open
	<b>DIMMER</b>		
3	0 - 255	0 - 100	
	<b>GOBO</b>		
	0 - 3	0 - 1.2	White
	4 - 7	1.6 - 2.7	Gobo 1
	8 - 11	3.1 - 4.3	Gobo 2
	12 - 15	4.7 - 5.9	Gobo 3
	16 - 19	6.3 - 7.5	Gobo 4
	20 - 23	7.8 - 9.0	Gobo 5
	24 - 27	9.4 - 10.6	Gobo 6
	28 - 31	11.0 - 12.2	Gobo 7
	32 - 35	12.5 - 13.7	Gobo 8
	36 - 39	14.1 - 15.3	Gobo 9
	40 - 43	15.7 - 16.9	Gobo 10
	44 - 47	17.3 - 18.4	Gobo 11
	48 - 51	18.8 - 20.0	Gobo 12
	52 - 55	20.4 - 21.6	Gobo 13
	56 - 59	22.0 - 23.1	Gobo 14
4	60 - 69	23.5 - 27.0	Gobo 1 shake slow-fast speed
	70 - 79	27.4 - 31.0	Gobo 2 shake slow-fast speed
	80 - 89	31.4 - 34.9	Gobo 3 shake slow-fast speed
	90 - 99	35.3 - 38.9	Gobo 4 shake slow-fast speed
	100 - 109	39.3 - 42.7	Gobo 5 shake slow-fast speed
	110 - 119	43.1 - 46.6	Gobo 6 shake slow-fast speed
	120 - 129	47.0 - 50.5	Gobo 7 shake slow-fast speed
	130 - 139	50.9 - 54.5	Gobo 8 shake slow-fast speed
	140 - 149	54.9 - 58.4	Gobo 9 shake slow-fast speed
	150 - 159	58.8 - 62.3	Gobo 10 shake slow-fast speed
	160 - 169	62.7 - 66.2	Gobo 11 shake slow-fast speed
	170 - 179	66.7 - 70.2	Gobo 12 shake slow-fast speed
	180 - 189	70.6 - 74.1	Gobo 13 shake slow-fast speed
	190 - 199	74.5 - 78.0	Gobo 14 shake slow-fast speed
	200 - 225	78.4 - 88.2	Fast - Slow Rotation
	226 - 229	88.6 - 89.8	Stop
	230 - 255	90.2 - 100	Slow - Fast Rotation

CHANNEL	DMX	PERCENTAGE	FUNCTION
	<b>PRISM</b>		
5	0 - 63	0 - 24.7	Unused range
	64 - 127	25 - 49.8	Prism 1
	128 - 191	50.2 - 74.9	Prism 2
	192 - 255	75.3 - 100	Prism 1 + prism 2
	<b>PRISM ROTATION</b>		
6	0	0	Unused range
	1 - 63	0.4 - 24.7	0 - 180°
	64 - 127	25.1 - 49.8	CCW, fast --> slow
	128 - 191	50.2 - 74.9	CW, slow --> fast
	192 - 207	75.3 - 81.2	Slow --> fast rotation, 90° back and forth
	208 - 223	81.6 - 87.5	Slow --> fast rotation, 180° back and forth
	224 - 239	87.8 - 93.7	Slow --> fast rotation, 270° back and forth
	<b>PRISM MACRO</b>		
7	0 - 15	0 - 5.9	Unused range
	16 - 55	6.3 - 21.6	From fast to slow, 8 prism free switch
	56 - 95	22.0 - 37.3	From fast to slow, 16 prism free switch
	96 - 135	37.6 - 52.9	From fast to slow, 8 prism + 16 prism at the same time free switch
	136 - 175	53.3 - 68.6	8 prism + 16 prism to free switch from fast to slow
	176 - 215	69.0 - 84.3	16 prism + 8 prism to free switch from fast to slow
	<b>PRISM MACRO</b>		
	216 - 255	84.7 - 100	From fast to slow, 8 prism and the 16 prism interlock switch
8	<b>FROST</b>		
	0 - 255	0 - 100	
9	<b>FOCUS</b>		
	0 - 255	0 - 100	
10	<b>PAN</b>		
	0 - 255	0 - 100	
11	<b>PAN FINE</b>		
	0 - 255	0 - 100	
12	<b>TILT</b>		
	0 - 255	0 - 100	
13	<b>TILT FINE</b>		
	0 - 255	0 - 100	
14	<b>UNUSED RANGE</b>		
	<b>RESET</b>		
15	0 - 25	0 - 9.8	Unused range
	26 - 76	10.2 - 29.8	Effect reset
	77 - 127	30.2 - 49.8	PAN/TILT reset
	128 - 255	50.2 - 100	Complete reset
	<b>LAMP CONTROL</b>		
16	0 - 25	0 - 9.8	Unused range
	26 - 100	10.2 - 39.2	Lamp OFF
	101 - 255	39.6 - 100	Lamp ON

# CLEANING AND MAINTENANCES

- To ensure that the fixture works normally, always keep it clean. We recommend to clean the fans and ventilation inlet frequently. The lens and dichroic color filters should also be cleaned regularly to maintain an optimum light output. Do not use any type of chemicals to clean the dichroic color filters, it will damage the fixture.
- Disconnect the power supply when you start maintenance. Please let the fixture cool down for at least 10 minutes. If you need to replace the lamp, please wait for at least 30 minutes to let the lamp cool down completely to prevent burn injuries.
- Please inspect the lens or other moving parts regularly and keep them clear and static free. If you find anything damaged or loose, you must replace the fixture or repair the fixture in order to avoid accidents.
- The light uses a strong cooling system. Please clean the fan inlet frequently.

# TROUBLESHOOTING

It is recommended to check the following list when troubleshooting. Any unsolved problems should always be handled by a qualified person. Disconnect the power supply before opening the fixture.

## Lamp off

- Please check if the lamp is installed properly.
- Please check the connection of the power supply or switch is ok.
- Please check the lamp hours of the lamp. If it is too much, please replace the lamp.
- Please check if the power supply is between 100 and 240 VAC.
- Please check the connection of the trigger circuit inside the base has a loose contact.
- Check menu "information" → "fan speed / voltage → fan1, fan2 & fan3" for fanspeed. If the fan speed is above 500RPM or below 500RPM the lamp does not turn on, replace the fan.
- Please check if the temperature switch is damaged.
- Enter the menu "information" then select "temperature" to see whether the temperature display board is too high or has no temperature information at all.

## The light beam is not bright or not uniform

- When the lamp hours are consumed, please change bulb.
- Please check the reflector parts. Keep them clear but do not use chemicals.
- Enter the menu "service options" to choose "calibration" to enter the "Color" and "Gobo" calibration.

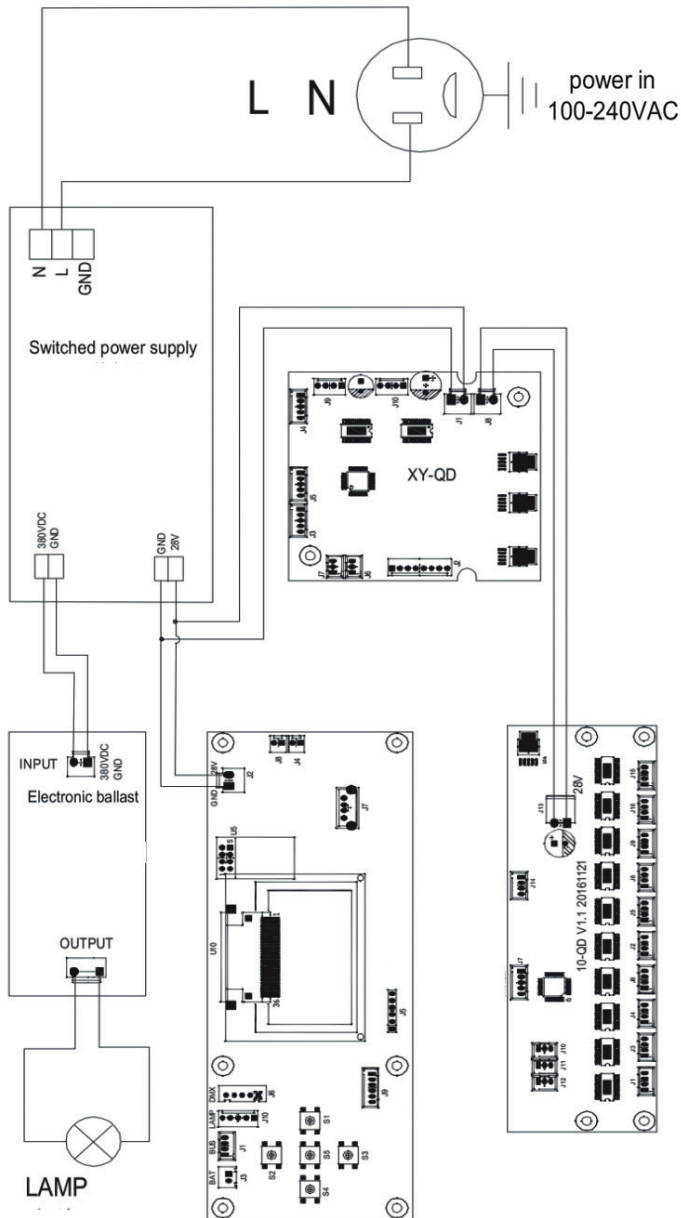
## The light shadow is blurred

- Please check the electric focus inside.
- Please check the focus and lens for dirt. After cleaning, please add some temperature durable oil on the moving parts.

## The light works interrupted

- Please check if the fan works normally.
- Please check whether fan covers are clean.
- Please check if the lamp is not at the end of the usage time.
- Please check if the power supply is between 100 and 240 VAC and if the connection of the power supply or the circuit are good.
- Please check if the temperature switch is correct.

# CIRCUIT CONNECTION DIAGRAM



# SPECIFICATIONS

Lamp	Osram Sirius HRI 330W XL
	Color temperature 7500K
	Average life ±1500h
Motors	12 ultra quiet motors
Control	DMX 512 & RDM
Color	14 colors & open
Gobo	Open, 11 Gobo & 3 animation ranges
Strobe	Double lens strobe (0.5 - 9 times / second)
Dimmer	0 - 100% linear adjustment
Prism	8 facet prism, 16 facet double prism & fast switching
Focus and lens	High precision optical focus frost
Wash effect	Adjustable frost effects
Address set	Automatic charging battery, DMX address could be set without electricity
Software update	Software upgrade via USB
Features	Remote control lamp switch function
	Display light
	Lamp using time
	Automatically adjust cooling-fan speed
Cooling	Forced ventilation with axial fans
Housing	Heatproof plastic & module pressing alloy materials
CE	In conformity with the European Union Low Voltage
	Directive 2014/35/EU and Electromagnetic compatibility directive 2014/30/EU
Transport & maintenance	Two side handles for handling
	The fixture has a tilt lock for transportation and maintenance



Lamp power	330W
Total power	450W
Voltage / frequency	AC100V - 240V - 50/60Hz
Netto weight	18,8kg
Size	380x280x529mm
Channel	14 / 16 / 16+ CH
X / Y travel	540° / 250°
X / Y resolution	2,11° / 0,98°
X / Y speed	2,7S / 1,6S
Beam angle	0 - 2,3°
EAN CODE	8719189163049

# INCLUDED ITEMS

