

Technical Information

No. DO 5519

Edition: 12/08 - subject to change

Substitutes: /

Status: valid

PAR 64

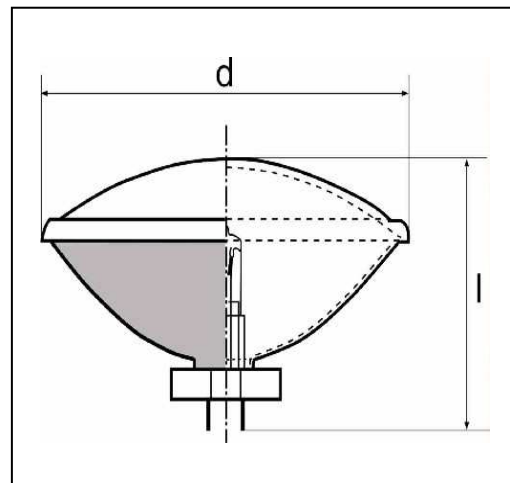
Tungsten halogen

aluPAR 64 VNSP

1000W 230/240V

■ Product description

- Tungsten halogen lamp with a parabolic reflector for stage and show lighting
- Reduced weight due to aluminium reflector instead of a glass reflector
- High luminous flux due to halogen lamp with a compact filament and a reflector with a high precision contour
- Disassembly into components allows for environmentally friendly waste disposal



■ Technical data

Order reference	aluPar 64 VNSP 1000W 230/240V	
Application	Very Narrow Spot	
ANSI	EXC	
LIF	CP/60	
Rated lamp wattage	W	1,000
Rated lamp voltage	V	230/240
Average service life	h	300
Luminous intensity	cd	350,000
Color temperature	K	3,200
Beam angle 50%	°	8°4'
Base	GX16d	
Bulb diameter (d)	mm	203
Lamp length (l)	mm	150
Weight	g	520

■ Lamp operation

Burning position	any
Safety	Lamp conform to DIN IEC 60432-2