

Technical Information

No. DO 5521

Edition: 12/08 - subject to change

Substitutes: /

Status: valid

PAR 64

Tungsten halogen

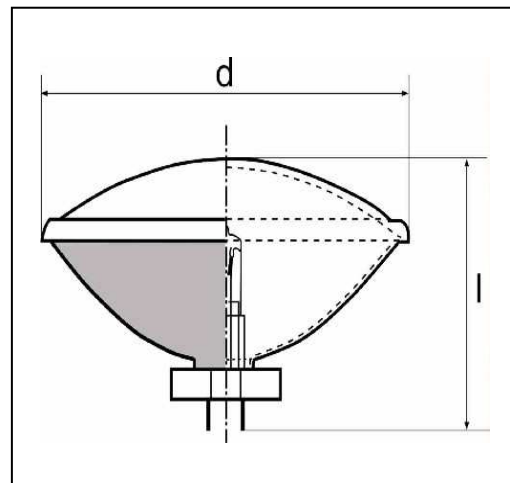
aluPAR 64 MFL

1000W 230/240V

■ Product description

- Tungsten halogen lamp with a parabolic reflector for stage and show lighting
- Reduced weight due to aluminium reflector instead of a glass reflector
- High luminous flux due to halogen lamp with a compact filament and a reflector with a high precision contour
- Disassembly into components allows for environmentally friendly waste disposal

■ Technical data



Order reference	aluPar 64 MFL 1000W 230/240V	
ANSI	EXE	
LIF	CP/62	
Application	Medium Flood	
Rated lamp wattage	W	1,000
Rated lamp voltage	V	230/240
Average service life	h	300
Luminous intensity	cd	138,000
Color temperature	K	3,200
Beam angle 50%	°	24°/11°
Base	GX16d	
Bulb diameter (d)	mm	203
Lamp length (l)	mm	150
Weight	g	520

■ Lamp operation

Burning position	any	
Safety	Lamp conform to DIN IEC 60432-2	